

Job Name: 25-3175 - MSU MDAB  
 Job Location: Morehead, KY 40351  
 Contractor: Rising Sun Development Company

Plant: Beaver Dam, KY

Tech: K. Cardwell

10/28/2025 8:29:33 PM

PC: J. Jarvis



**Structure ID: CB1A**

**P1 BX2424-08BAVF**

**BOX BASE 8inW, 8inF, Variable Ht F/n**

P2) 24" x 24" - CASTING HEIGHT - 4"  
 P1) 24" x 24" - BOX BASE 8inW, 8inF, Variable Ht F/n - 34"  
 1) 24" x 24" - Conseal CS-102 1.00"  
 2) Hole - 24

0 lb  
 3540 lb  
 0 lb  
 0 lb  
 -----  
 Structure Total: 3540 lb

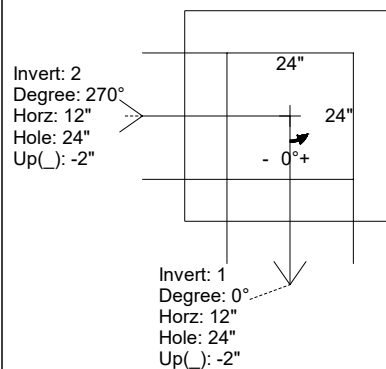
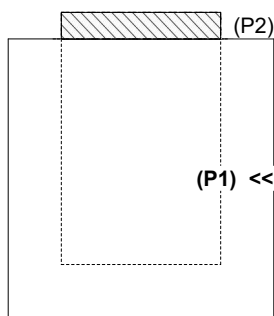
**Structure Notes:**  
 PLAN LABEL: CB-1A  
 1. PER ASTM C-913 SPECS  
 2. CONCRETE: 4,000 PSI AT 28 DAYS  
 3. REINFORCEMENT: #5 BAR @ 12" C.C. E.W. (GRADE 60) - 2" MIN. REBAR CLEARANCE (TYP)  
 4. 4" CASTING SUPPLIED BY OTHERS

Rim: 733.5' Rim to Invert: 3.19' Slack: 0.28" Sump: 0" Step Position:

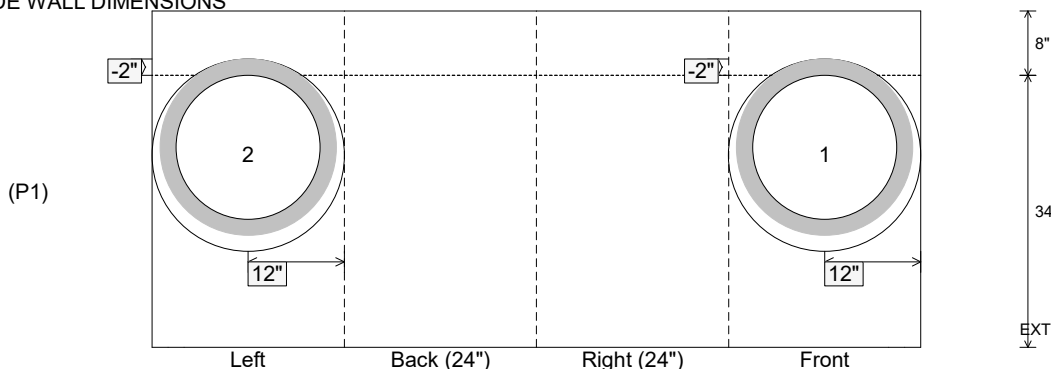
Position	Elev	Angle	Ext. (cw)	Pipe	Pipe OD	Connector	Hole	Horz Size	Up ( )	Offset
Invert 1	730.31'	0°	20"	18" ADS N-12	22"	Hole 24	24"	24"	-2"	0"
Invert 2	730.31'	270°	20"	18" ADS N-12	22"	Hole 24	24"	24"	-2"	0"
Invert 3										
Invert 4										
Invert 5										
Invert 6										
Invert 7										
Invert 8										

RIGHT-SIDE UP VIEW (int. dimensions)

UPSIDE-DOWN VIEW (int. dimenions)



INSIDE WALL DIMENSIONS



Coating (Int):  
 Coating (Ext):

Seam Up: Flat  
 Seam Dn: n/a

Wall Thickness: 8"  
 Floor Height: 8"

Height (Int): 34"  
 Height (Ext): 42"

Weight (Net): 3540 lb  
 Volume (Net): 0.9cu.yd