

Job Name: 25-3170 - Publix BG
Job Location: Bowling Green, KY
Contractor: Scotty's Contracting & Stone, LLC

PC: C. Goff
 TECH: K. Cardwell
 Plant: Beaver Dam, KY



Structure ID: **MH7**

Spec: Storm
 Type: STM.MH (Recessed pipe)
 Size: 48"

Rim: 581.43'
 Invert: 570.95'
 Rim to Invert: 10.48'

Sump: 0"
 Floor (Top): 570.95'
 Floor Height: 6"

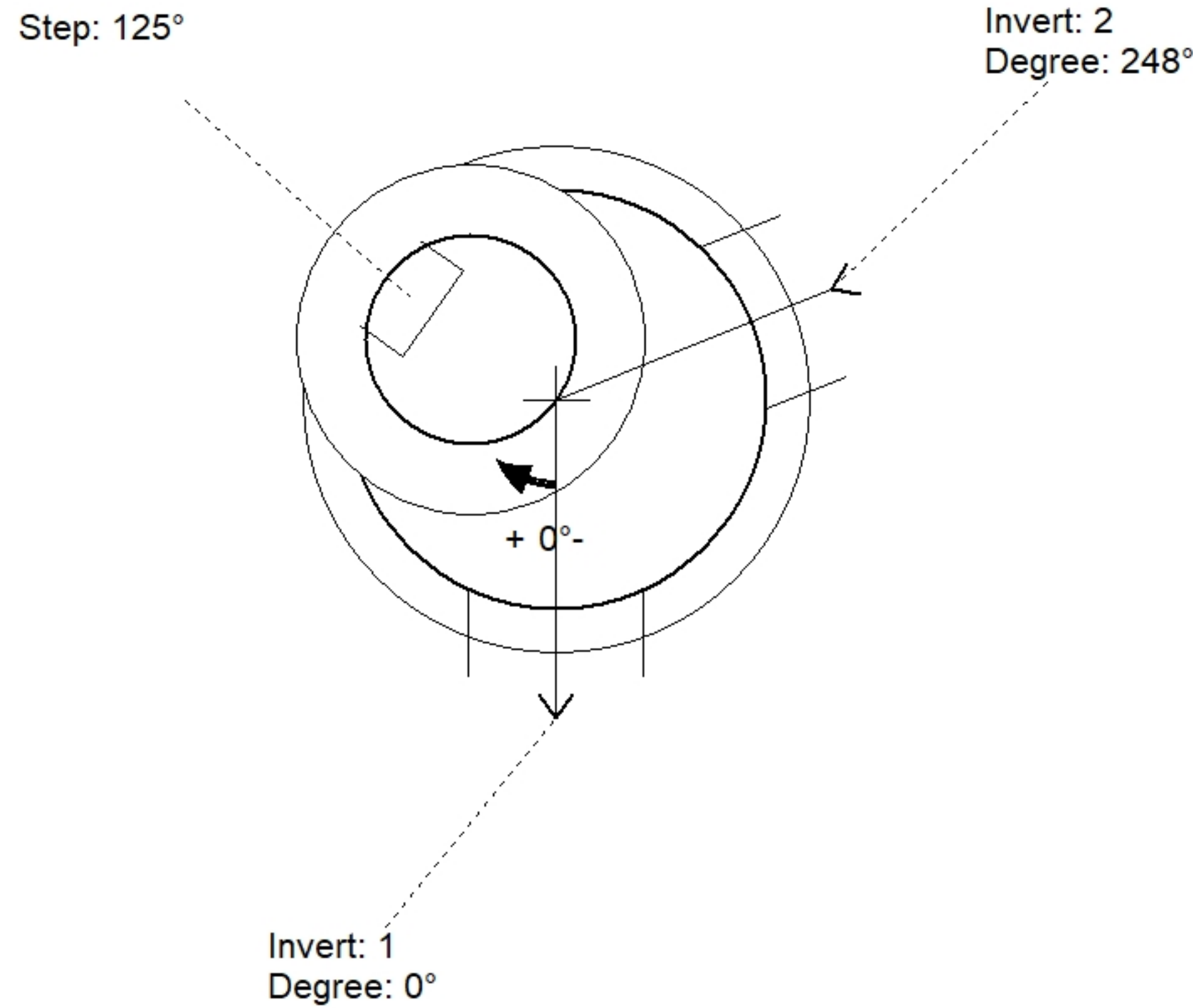
Floor (Bot): 570.45'
 Overall Height: 10.917'
 Slack: 0.76"

Structure Notes:

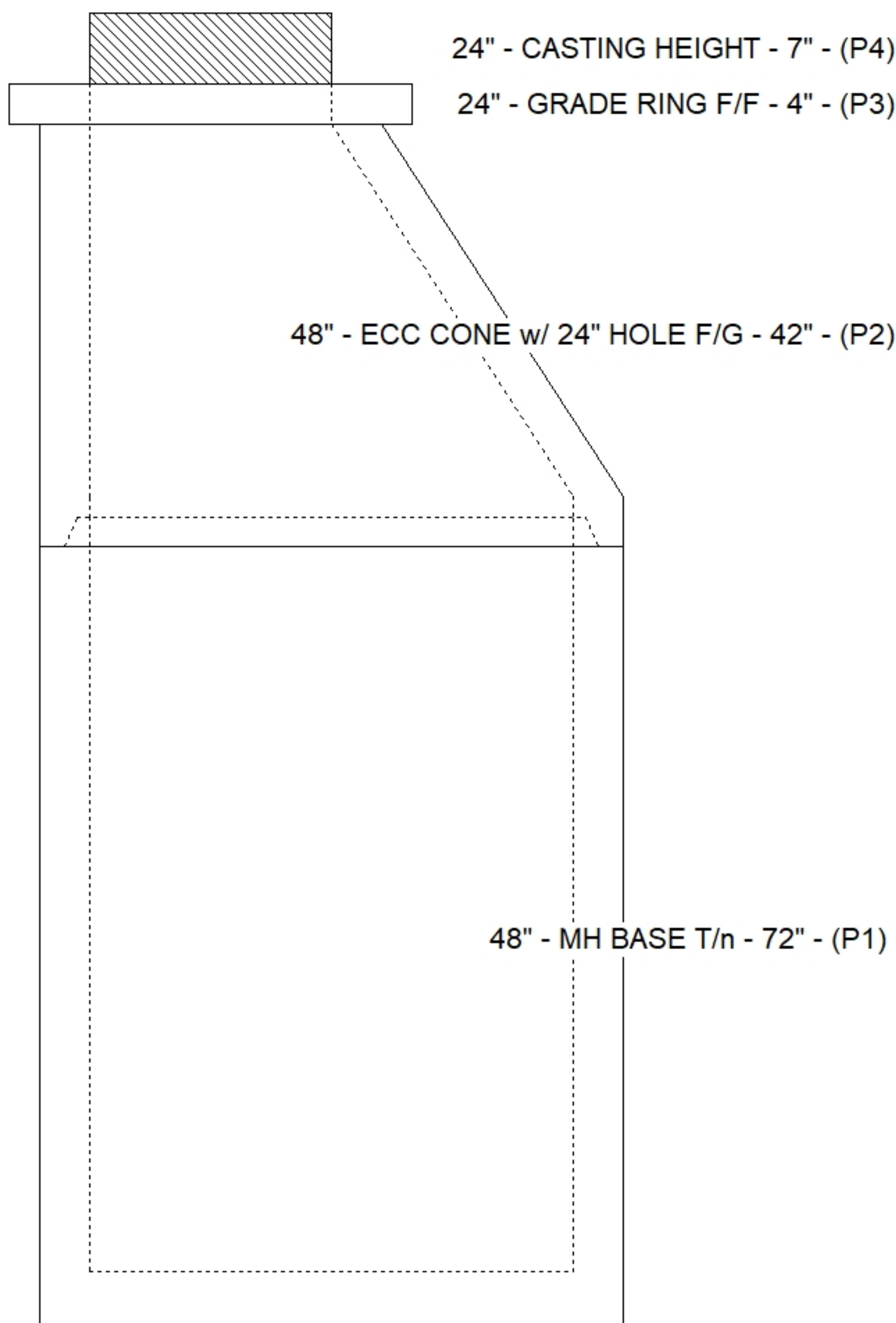
- PLAN LABEL: MH (IE 570.95)
 1. PER ASTM C-478 SPECS
 2. CONCRETE: 4,000 PSI AT 28 DAYS
 3. REINFORCEMENT: PER ASTM A615
 4. STEPS AT 125 DEGREES
 5. MC-375 FRAME & COVER "STORM" SUPPLIED BY ICAST

STRUCTURE SUMMARY:

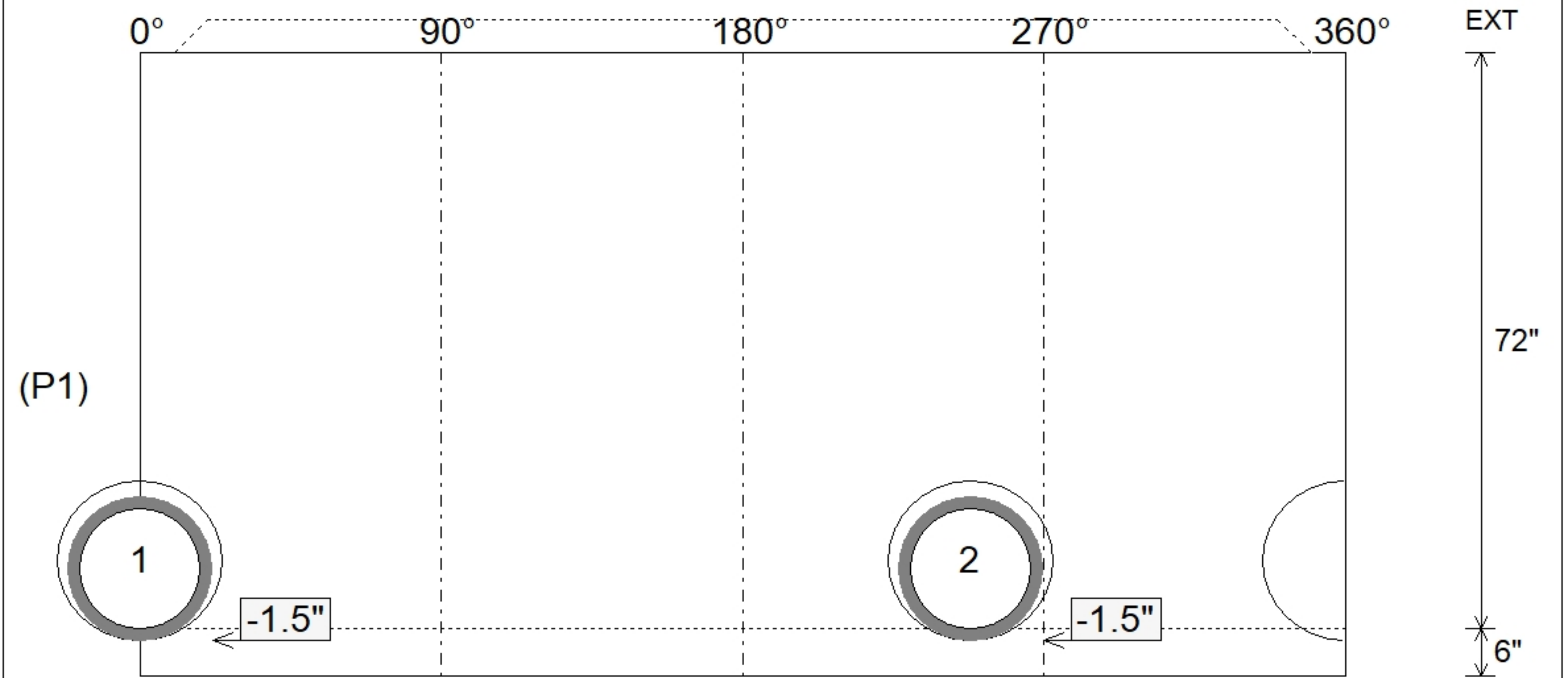
| | |
|--|----------------|
| P4) 24" - CASTING HEIGHT - 7" | 0 lb |
| P3) 24" - GRADE RING F/F - 4" | 270 lb |
| P2) 48" - ECC CONE w/ 24" HOLE F/G - 42" | 3200 lb |
| P1) 48" - MH BASE T/n - 72" | 6090 lb |
| 1) CASTING - HOE MC-375 F/C Storm | 271 lb |
| 1) 48" - Conseal CS-102 1.00" | 0 lb |
| 2) Hole - 20 | 0 lb |
| 10) MH Step ML-10-TDS-NCR - 10" | 0 lb |
| Structure Total: | 9830 lb |



| Position | Elev | Angle | Pipe | Pipe OD | Hole | Connector | Up (↓) | Ref |
|----------|---------|-------|--------------|---------|------|-----------|--------|-----|
| Rim | 581.43' | | | | | | | |
| Reducer | | | | | | | | |
| Invert 1 | 570.95' | 0° | 15" ADS N-12 | 18" | 20" | Hole 20 | -1.5" | P1 |
| Invert 2 | 570.95' | 248° | 15" ADS N-12 | 18" | 20" | Hole 20 | -1.5" | P1 |
| Invert 3 | | | | | | | | |
| Invert 4 | | | | | | | | |
| Invert 5 | | | | | | | | |
| Invert 6 | | | | | | | | |
| Invert 7 | | | | | | | | |
| Invert 8 | | | | | | | | |



Cast (Int. Dim.) - Interior Dimensions



Submittal Drawing
 10/23/2025 7:20:15 AM

SUBMITTAL
 APPROVED BY: