

Job Name: 25-3170 - Publix BG
 Job Location: Bowling Green, KY
 Contractor: Scotty's Contracting & Stone, LLC

Plant: Beaver Dam, KY
 10/23/2025 7:21:31 AM

Tech: K. Cardwell
 PC: C. Goff



Structure ID: MH7

P2 MH048CN42

ECC CONE w/ 24" HOLE F/G

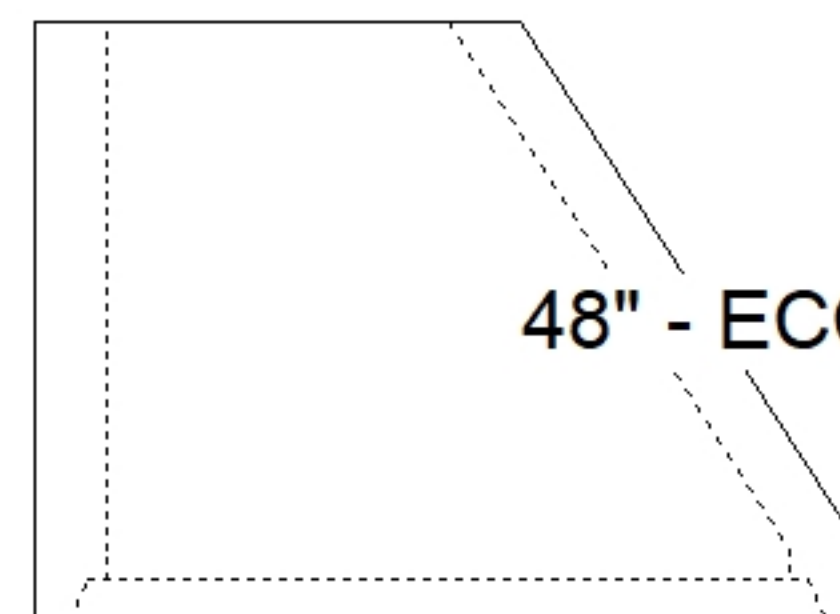
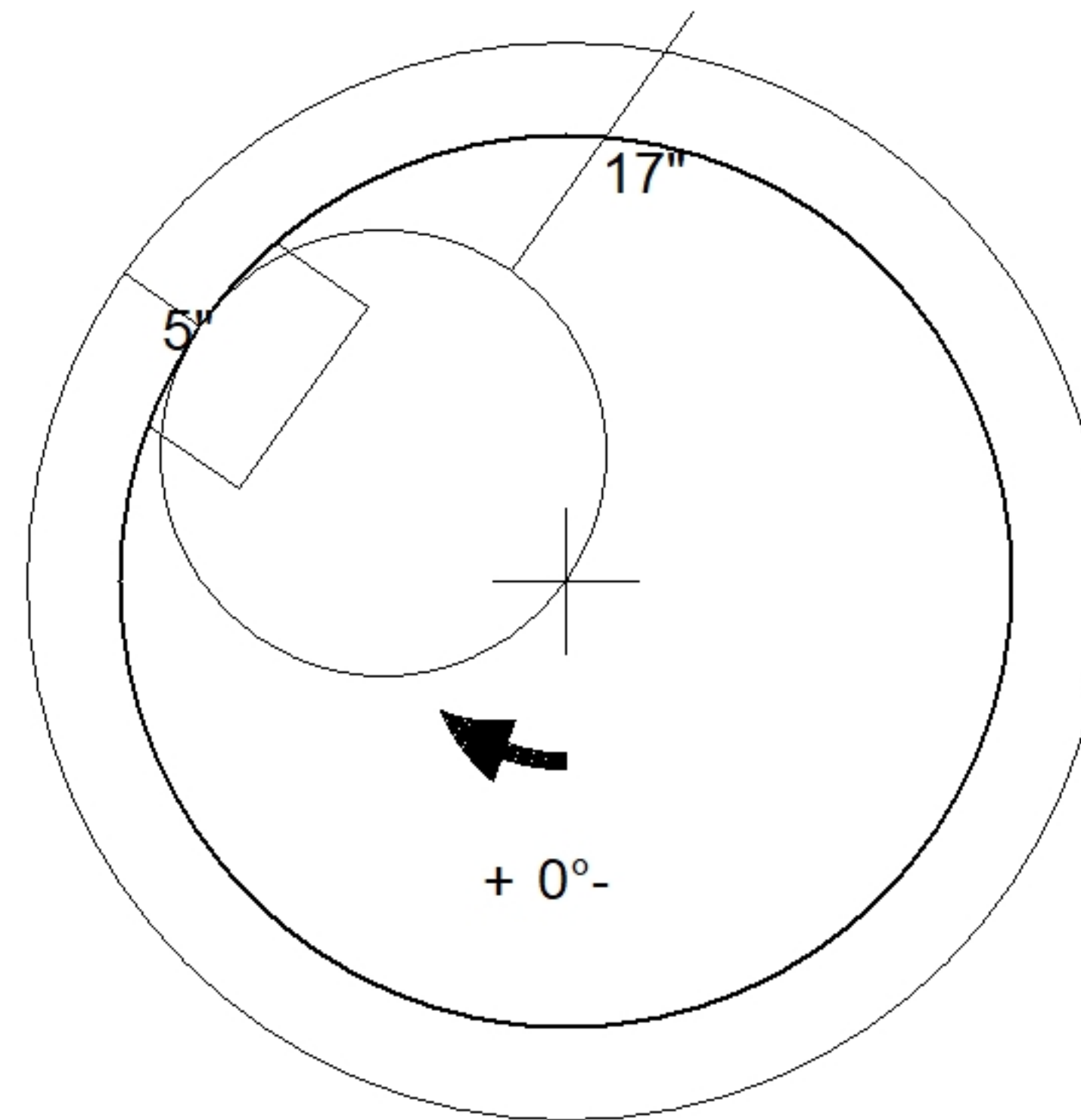
- P4) 24" - CASTING HEIGHT - 7"
- P3) 24" - GRADE RING F/F - 4"
- P2) 48" - ECC CONE w/ 24" HOLE F/G - 42"
- P1) 48" - MH BASE T/n - 72"
- 1) CASTING - HOE MC-375 F/C Storm
- 1) 48" - Conseal CS-102 1.00"
- 2) Hole - 20
- 10) MH Step ML-10-TDS-NCR - 10"

0 lb
 270 lb
 3200 lb
 6090 lb
 271 lb
 0 lb
 0 lb
 0 lb

 0 lb

Structure Total: 9830 lb

Structure Notes:
 PLAN LABEL: MH (IE 570.95)
 1. PER ASTM C-478 SPECS
 2. CONCRETE: 4,000 PSI AT 28 DAYS
 3. REINFORCEMENT: PER ASTM A615
 4. STEPS AT 125 DEGREES
 5. MC-375 FRAME & COVER "STORM" SUPPLIED BY ICAST



48" - ECC CONE w/ 24" HOLE F/G - 42" - (P2)

Coating (Int): Coating (Ext):	Seam Up: Flat Seam Dn: Groove	Wall Thickness: 5"	Height (Ext): 42"	Weight (Net): 3200 lb Volume (Net): 0.5cu.yd
----------------------------------	----------------------------------	--------------------	-------------------	-------------------------------------------------