

Structure ID: MH7

P1 MH048BA72

MH BASE T/n

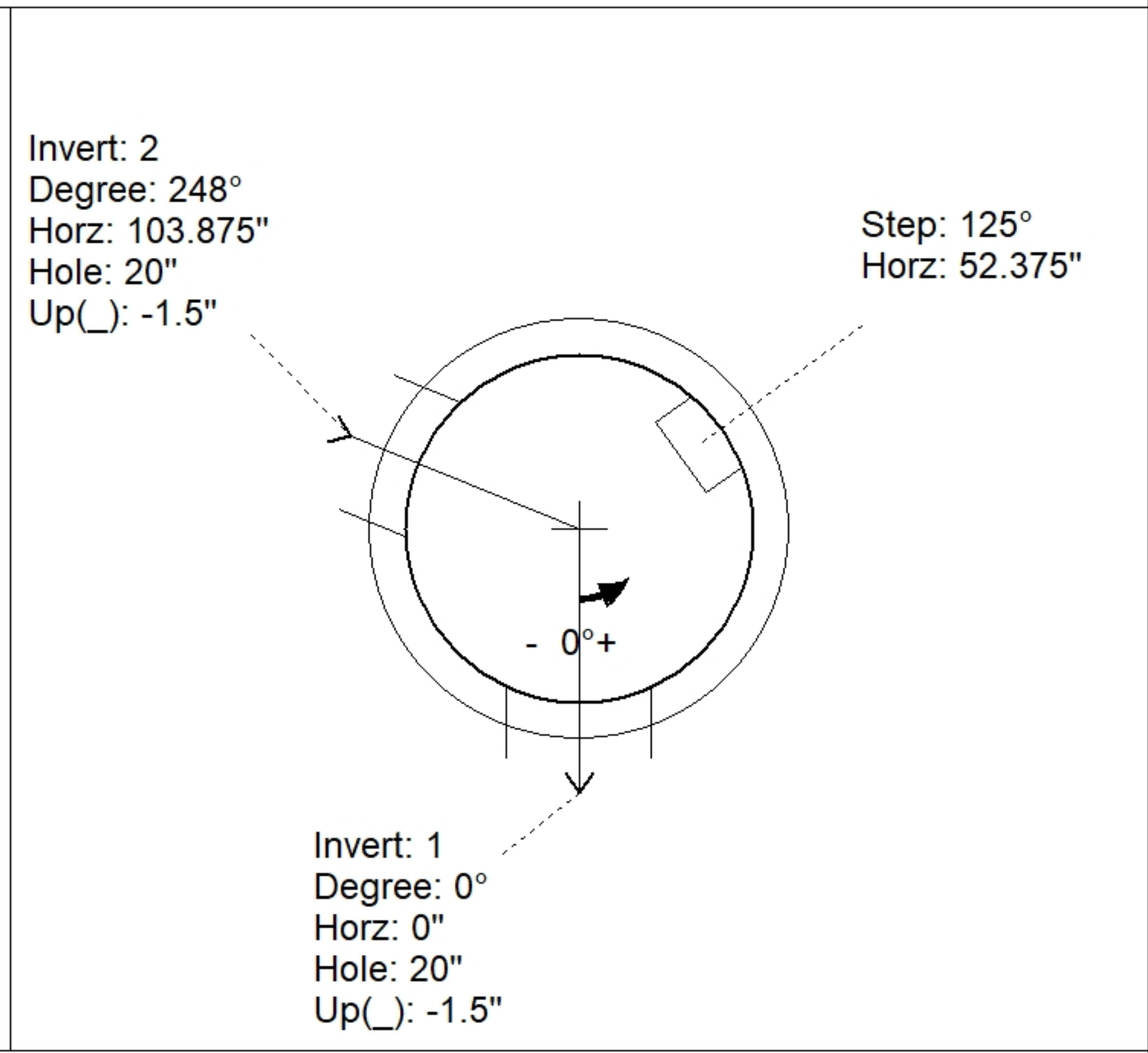
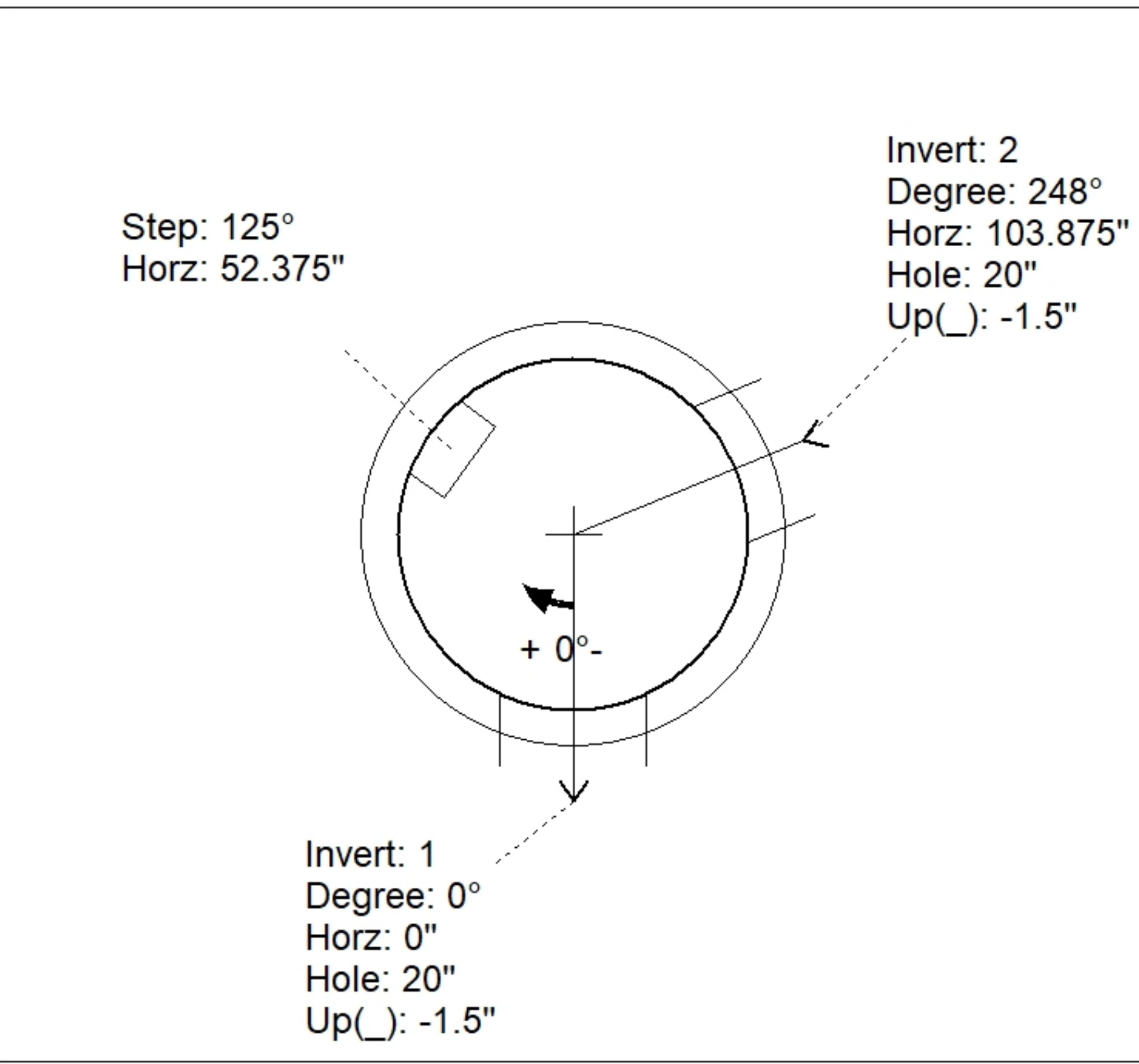
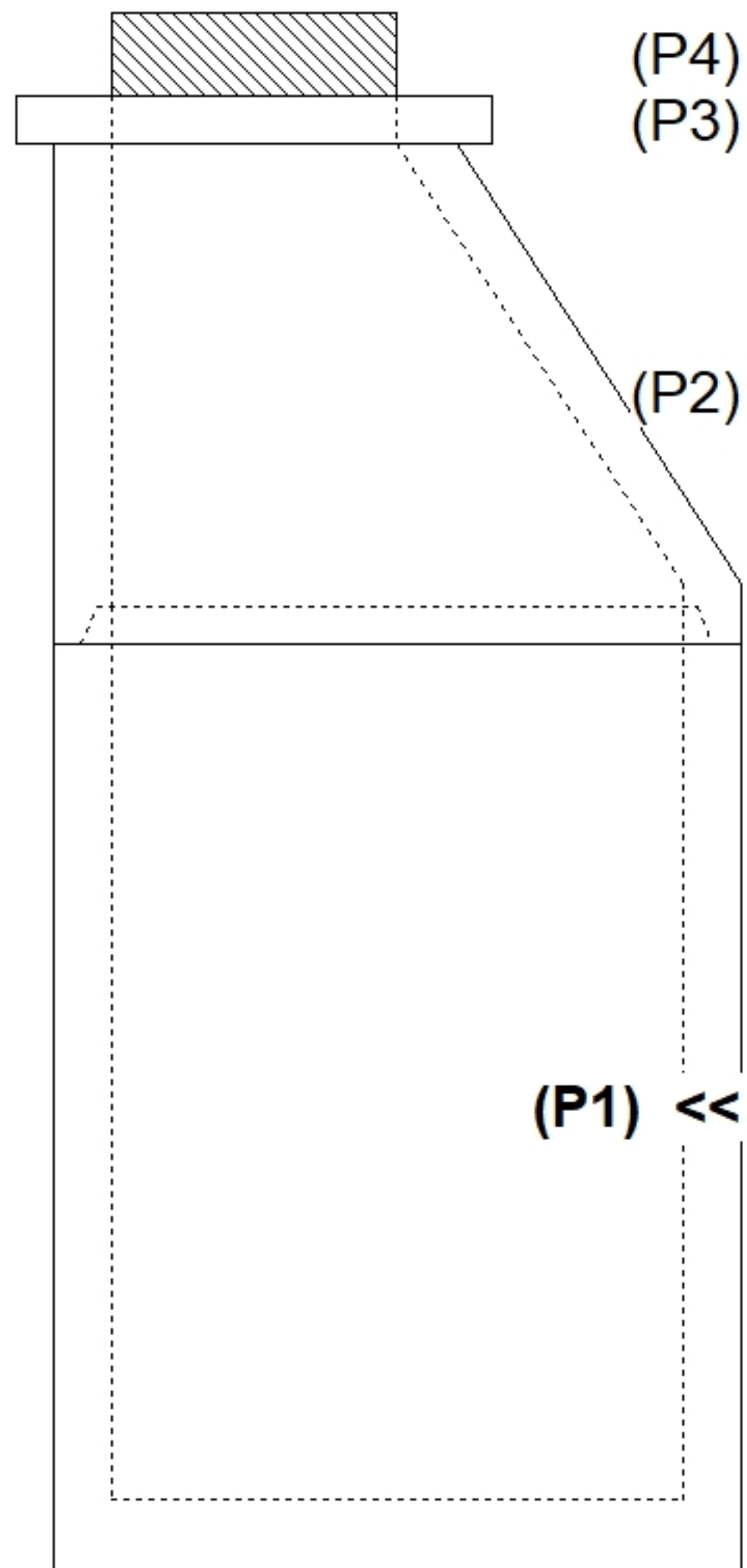
| | | |
|--|--|--|
| P4) 24" - CASTING HEIGHT - 7" P3) 24" - GRADE RING F/F - 4" P2) 48" - ECC CONE w/ 24" HOLE F/G - 42" P1) 48" - MH BASE T/n - 72" 1) CASTING - HOE MC-375 F/C Storm 1) 48" - Conseal CS-102 1.00" 2) Hole - 20 10) MH Step ML-10-TDS-NCR - 10" | 0 lb 270 lb 3200 lb 6090 lb 271 lb 0 lb 0 lb 0 lb 0 lb _____ 9830 lb | Structure Notes: PLAN LABEL: MH (IE 570.95) 1. PER ASTM C-478 SPECS 2. CONCRETE: 4,000 PSI AT 28 DAYS 3. REINFORCEMENT: PER ASTM A615 4. STEPS AT 125 DEGREES 5. MC-375 FRAME & COVER "STORM" SUPPLIED BY ICAST |
| Structure Total: | | |

Rim: 581.43' Rim to Invert: 10.48' Slack: 0.76" Sump: 0" Step Position: 125

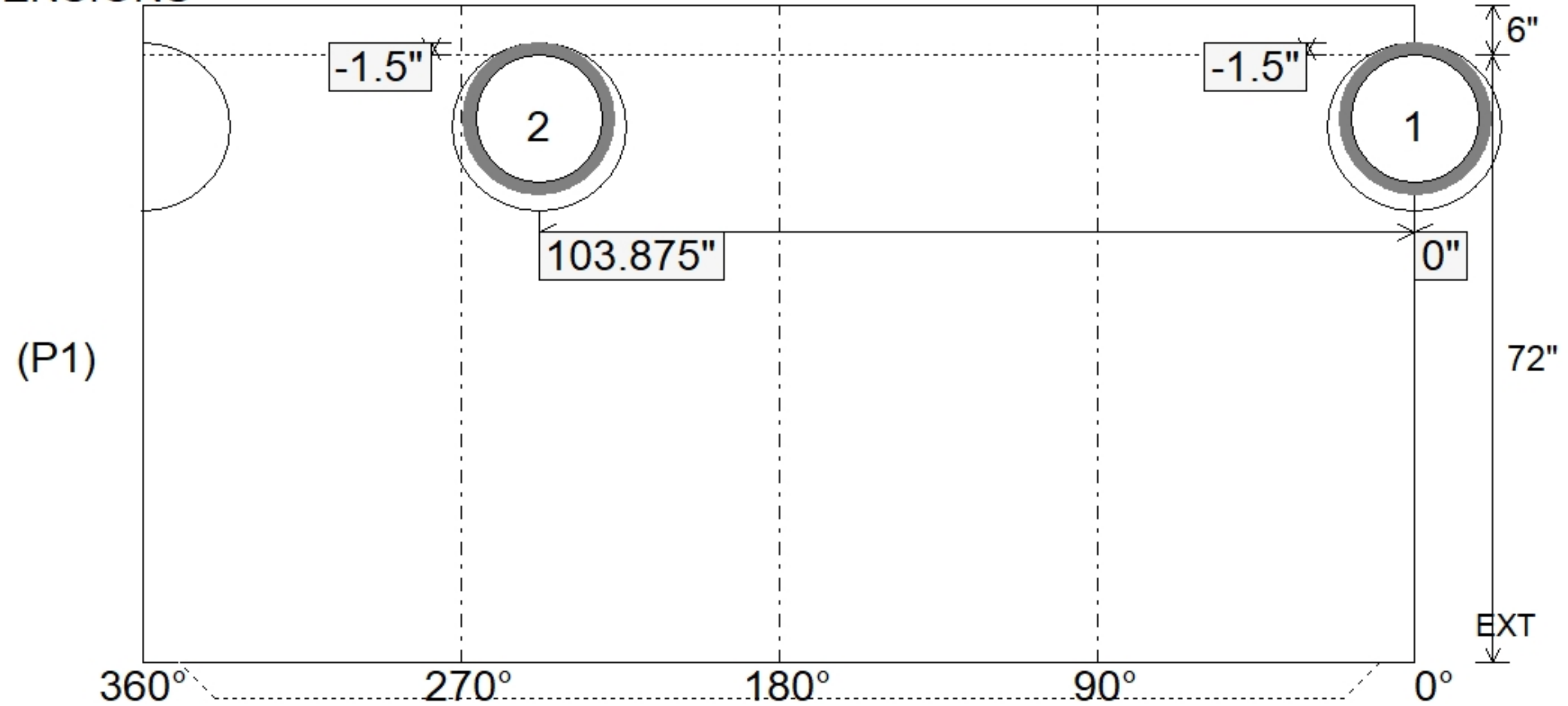
| Position | Elev | Angle | Ext. (cw) | Pipe | Pipe OD | Connector | Hole | Horz Size | Up () | Offset |
|----------|---------|-------|-----------|--------------|---------|-----------|------|-----------|--------|--------|
| Invert 1 | 570.95' | 0° | 0" | 15" ADS N-12 | 18" | Hole 20 | 20" | 20.629" | -1.5" | 0" |
| Invert 2 | 570.95' | 248° | 125.5" | 15" ADS N-12 | 18" | Hole 20 | 20" | 20.629" | -1.5" | 0" |
| Invert 3 | | | | | | | | | | |
| Invert 4 | | | | | | | | | | |
| Invert 5 | | | | | | | | | | |
| Invert 6 | | | | | | | | | | |
| Invert 7 | | | | | | | | | | |
| Invert 8 | | | | | | | | | | |

RIGHT-SIDE UP VIEW (int. dimensions)

UPSIDE-DOWN VIEW (int. dimensions)



INSIDE WALL DIMENSIONS



| | | | | |
|----------------|-----------------|--------------------|-------------------|-------------------------|
| Coating (Int): | Seam Up: Tongue | Wall Thickness: 5" | Height (Int): 72" | Weight (Net): 6090 lb |
| Coating (Ext): | Seam Dn: n/a | Floor Height: 6" | Height (Ext): 78" | Volume (Net): 1.56cu.yd |