

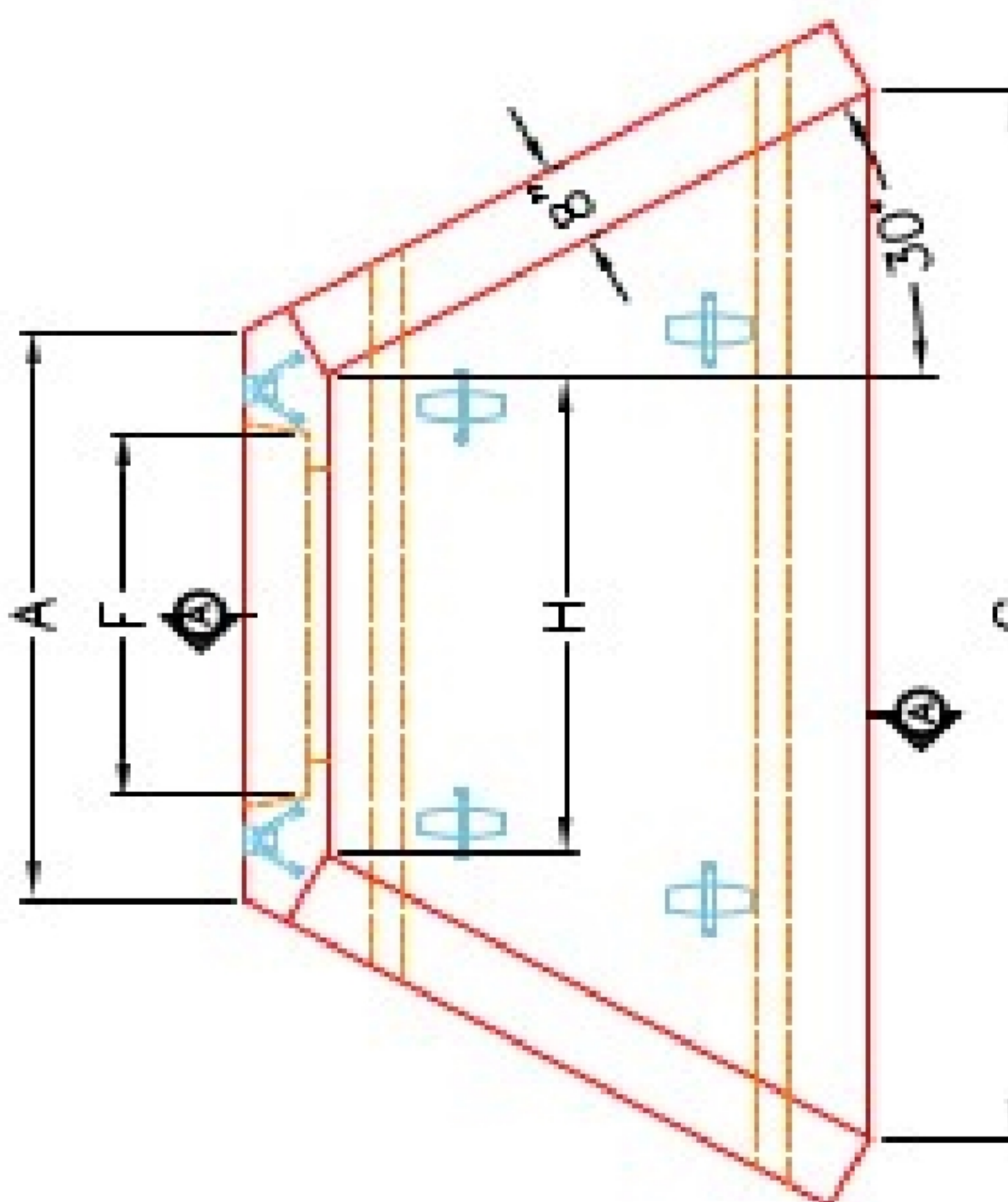


**Structure ID: HW3**

**P1 HWPC36**

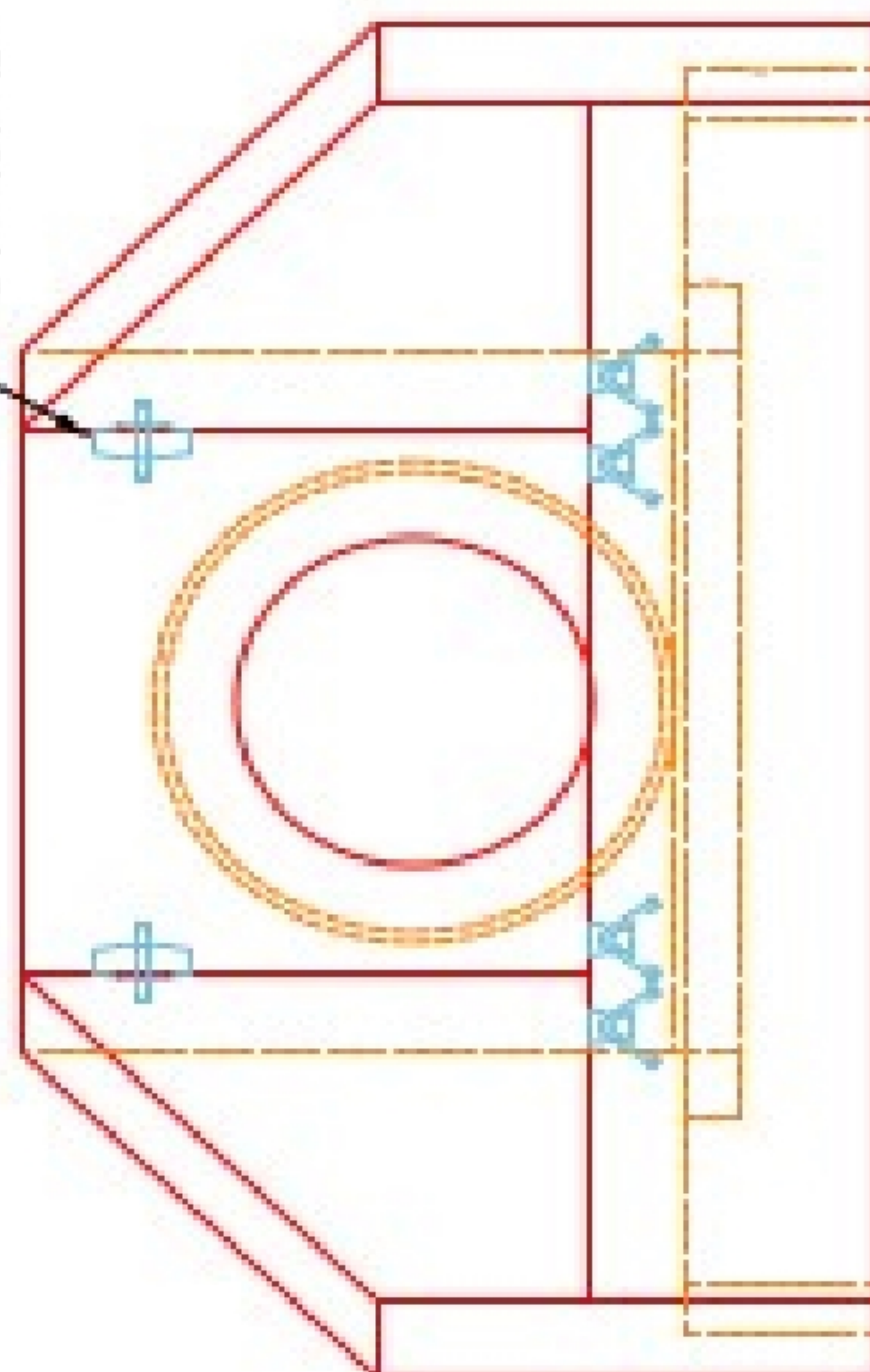
**36" - PIPE CULVERT HEADWALL F/F**

DIMENSIONS										
PIPE Ø	A	B	C	D	E	F	G	H	WEIGHT	
36"	4'-4"	6'-4"	6'-0"	1'-4"	5'-0"	1'-6"	1'-8"	3'-4"	8,820 lbs.	
36"	4'-4"	6'-4"	6'-0"	1'-4"	5'-0"	1'-6"	1'-8"	3'-4"	8,820 lbs.	
48"	6'-4"	6'-7"	5'-5"	2'-4"	6'-5"	1'-6"	1'-8"	4'-11"	13,231 lbs.	
48"	6'-4"	6'-7"	5'-5"	2'-4"	6'-5"	1'-6"	1'-8"	4'-11"	13,231 lbs.	
54"	7'-4"	7'-8"	6'-4"	2'-4"	7'-4"	1'-6"	1'-8"	6'-0"	18,422 lbs.	
60"	7'-4"	7'-8"	6'-4"	2'-4"	7'-4"	1'-6"	1'-8"	6'-0"	18,422 lbs.	

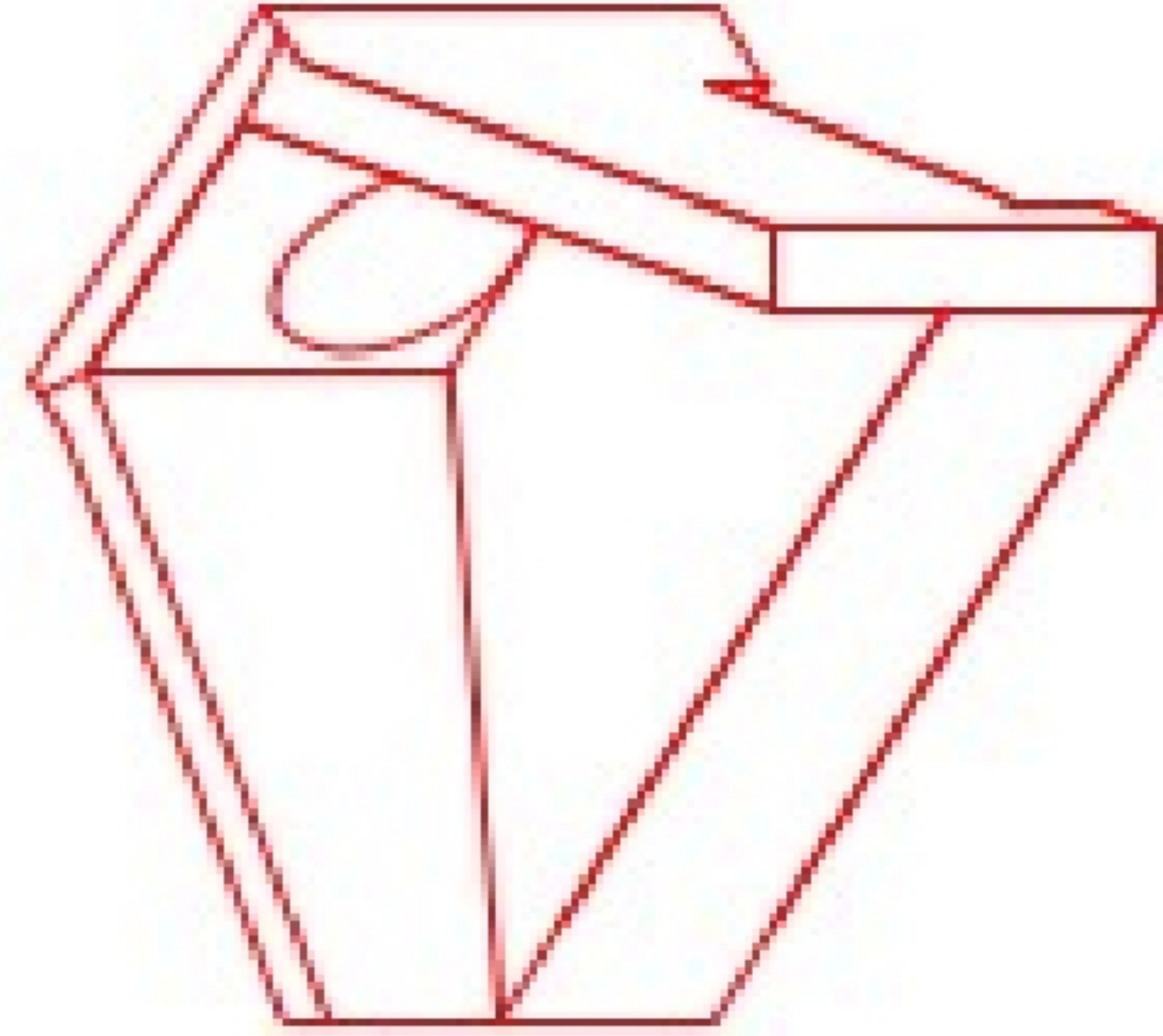


**PLAN VIEW**

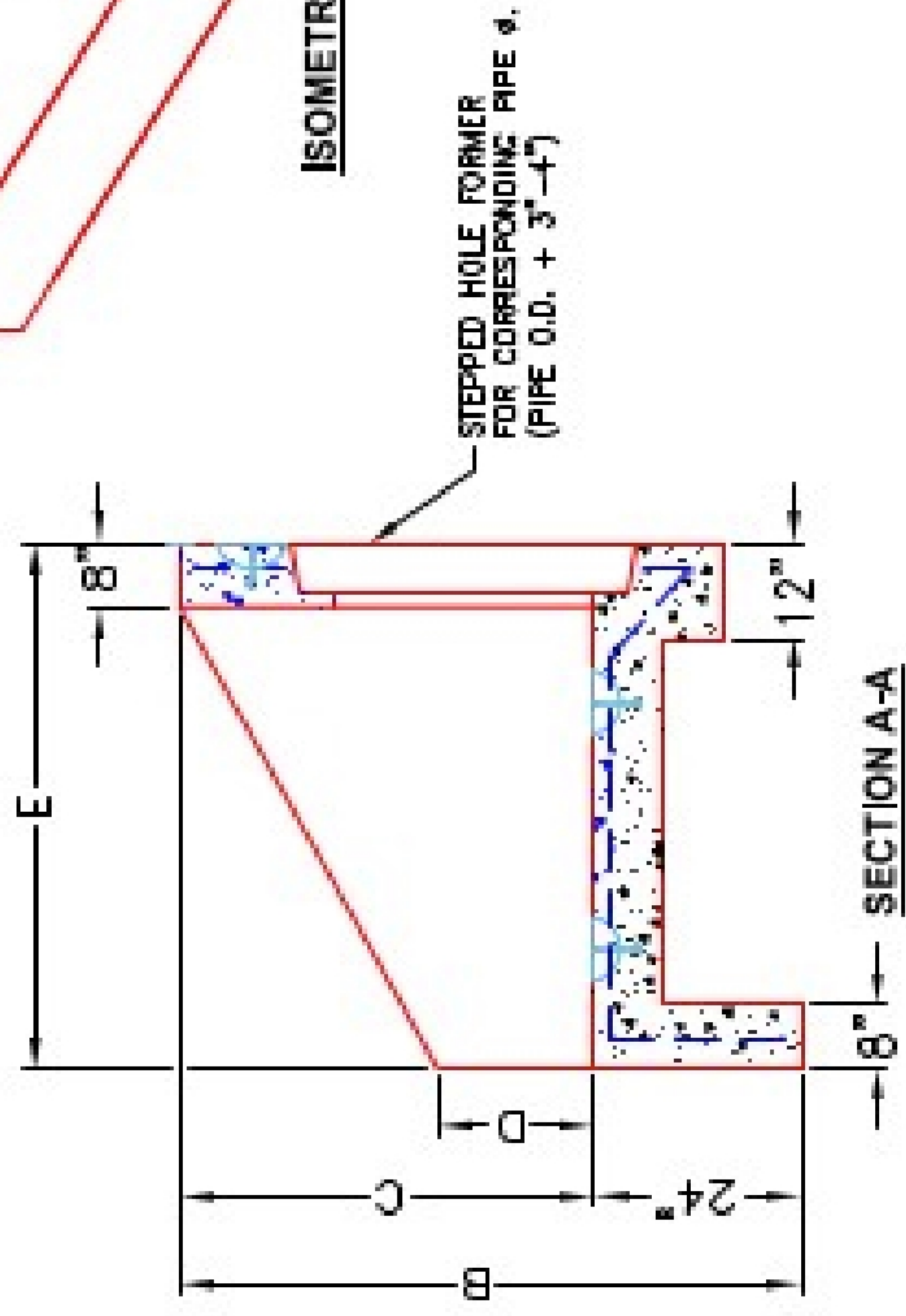
"A"-ANCHOR LIFTING SYSTEM FOR PLANT & FIELD HANDLING.



**FRONT ELEVATION**



**ISOMETRIC VIEW**



**SECTION A-A**

**NOTES:**

1. CONCRETE: KYTC APPROVED.
2. REINFORCING: #5 BAR @ 12" C/C E.W.-GRADE 60, (WITH 2" CONCRETE COVER MINIMUM)
3. REINFORCING BARS TO BE TACK WELDED OR TIED.
4. PIPE AND LIFTING ANCHOR POCKETS TO BE GROUTED WITH KYTC APPROVED NON-SHRINK GROUT.
5. DRAWING TO BE USED IN CONJUNCTION WITH KYTC STD. DRAWING RDH-110-02, RDH-210-03 AND THE STANDARD SPECIFICATIONS FOR ROAD AND BRIDGE CONSTRUCTION.
6. 3/4" CHAMFER ON ALL EXPOSED EDGES.
7. PREFORMED STEPPED HOLE SIZED AS PER O.D. OF PIPE + 3"-4".

APPROVED FOR DESIGN ONLY

BY: *[Signature]*  
 DATE: 1/20/2021 9:50 am  
 KYTC DIV. OF CONSTRUCTION INSTRUCTION



INFRASTRUCTURE PRECAST, INC.  
 601 WEST 7TH ST., BEAVER DAM, KY. 40009  
 PHONE: 502-338-2222, FAX: 502-338-7228

KYTC 30" - 60" PIPE CULVERT HEADWALL  
 DRAWING NO: KYTC PC-118 DATE: 12-14-20  
 DESIGNED BY: J.H. RABALA, P.E. DRAWN BY: M. REHARDB  
 WEB: WWW.IPCAST.COM SCALE: N/P