

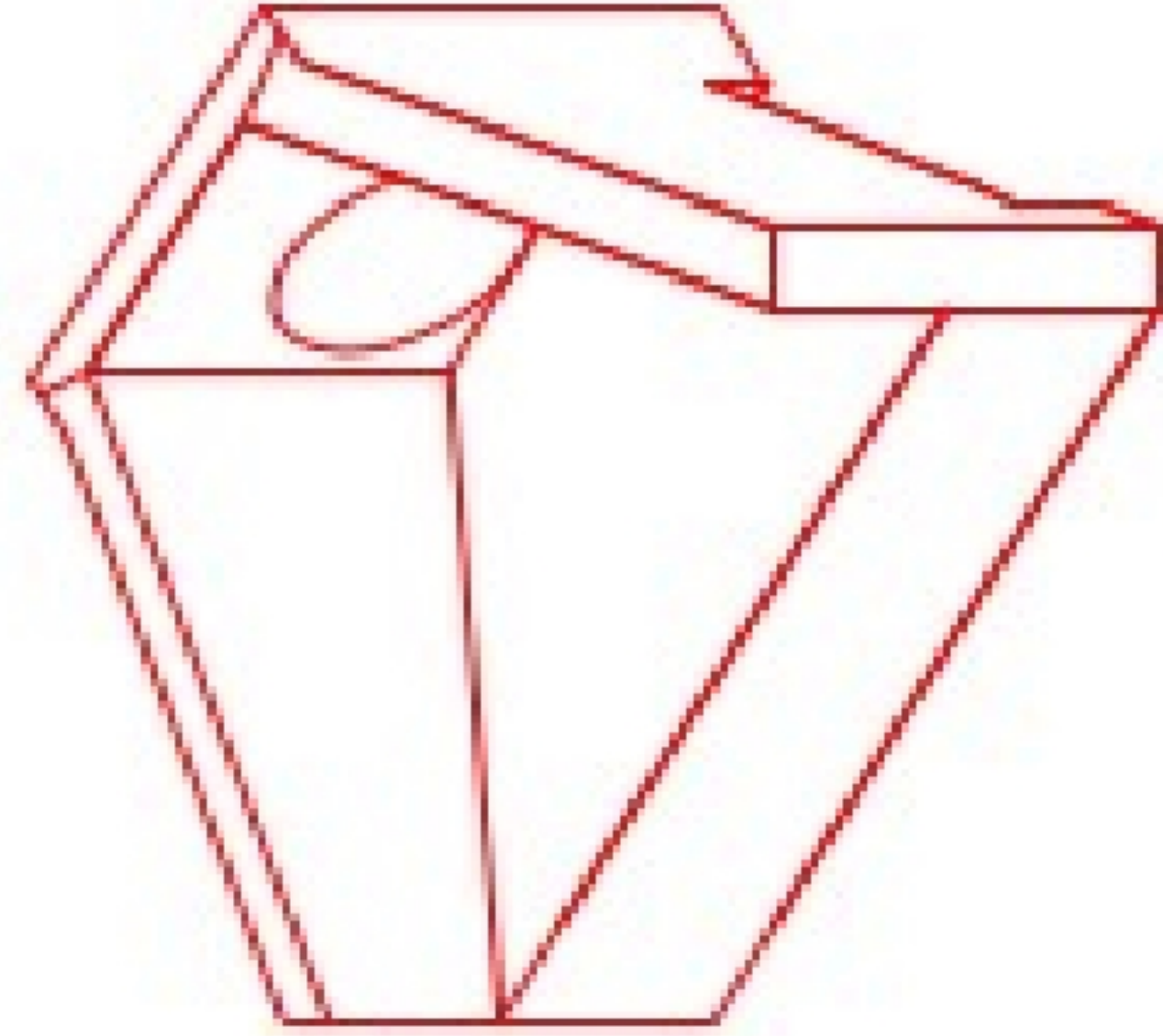


Structure ID: HW2

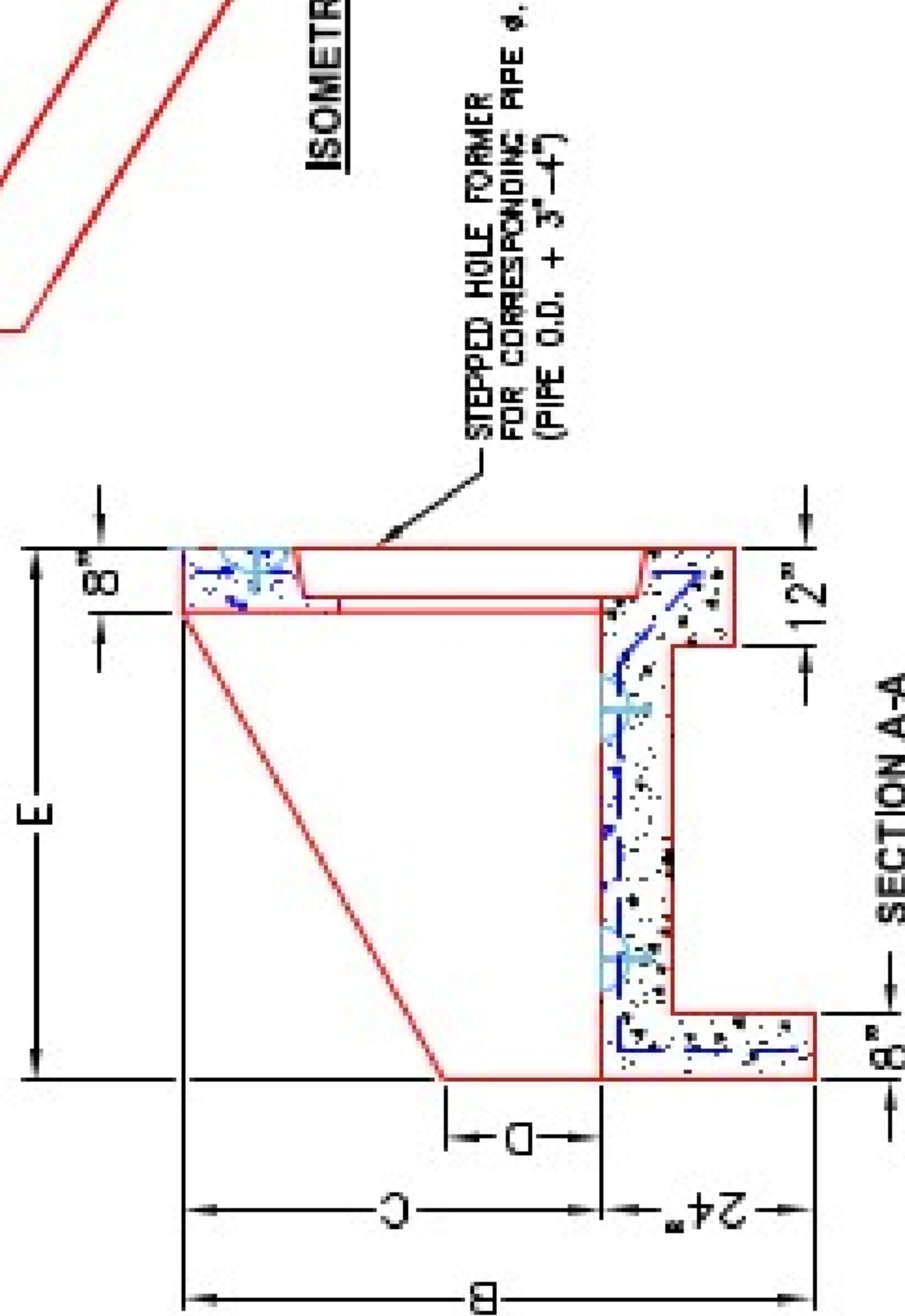
P1 HWPC36

36" - PIPE CULVERT HEADWALL F/F

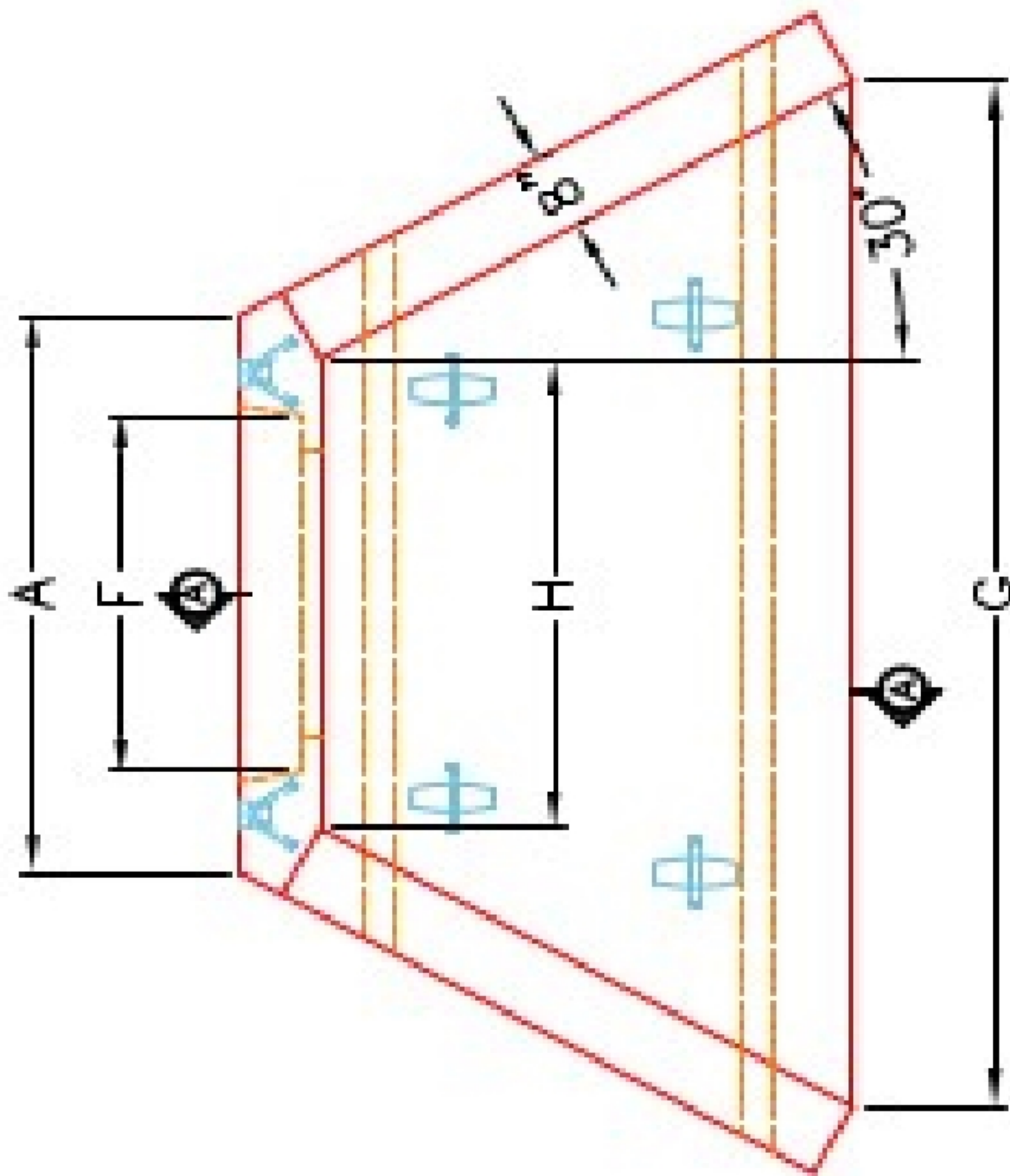
DIMENSIONS									
PIPE Ø	A	B	C	D	E	F	G	H	WEIGHT
36"	4'-4"	6'-4"	6'-0"	1'-4"	5'-0"	1'-6"	1'-8"	3'-4"	8,820 lbs.
42"	4'-4"	6'-4"	6'-0"	1'-4"	5'-0"	1'-6"	1'-8"	3'-4"	8,820 lbs.
48"	6'-4"	6'-7"	5'-5"	2'-4"	6'-5"	1'-6"	1'-8"	4'-11"	13,231 lbs.
48"	6'-4"	6'-7"	5'-5"	2'-4"	6'-5"	5'-5"	1'-8"	4'-11"	13,231 lbs.
54"	7'-4"	7'-8"	6'-4"	2'-4"	7'-4"	5'-8"	1'-8"	6'-0"	18,422 lbs.
60"	7'-4"	7'-8"	6'-4"	2'-4"	7'-4"	6'-4"	1'-8"	6'-0"	18,422 lbs.



ISOMETRIC VIEW

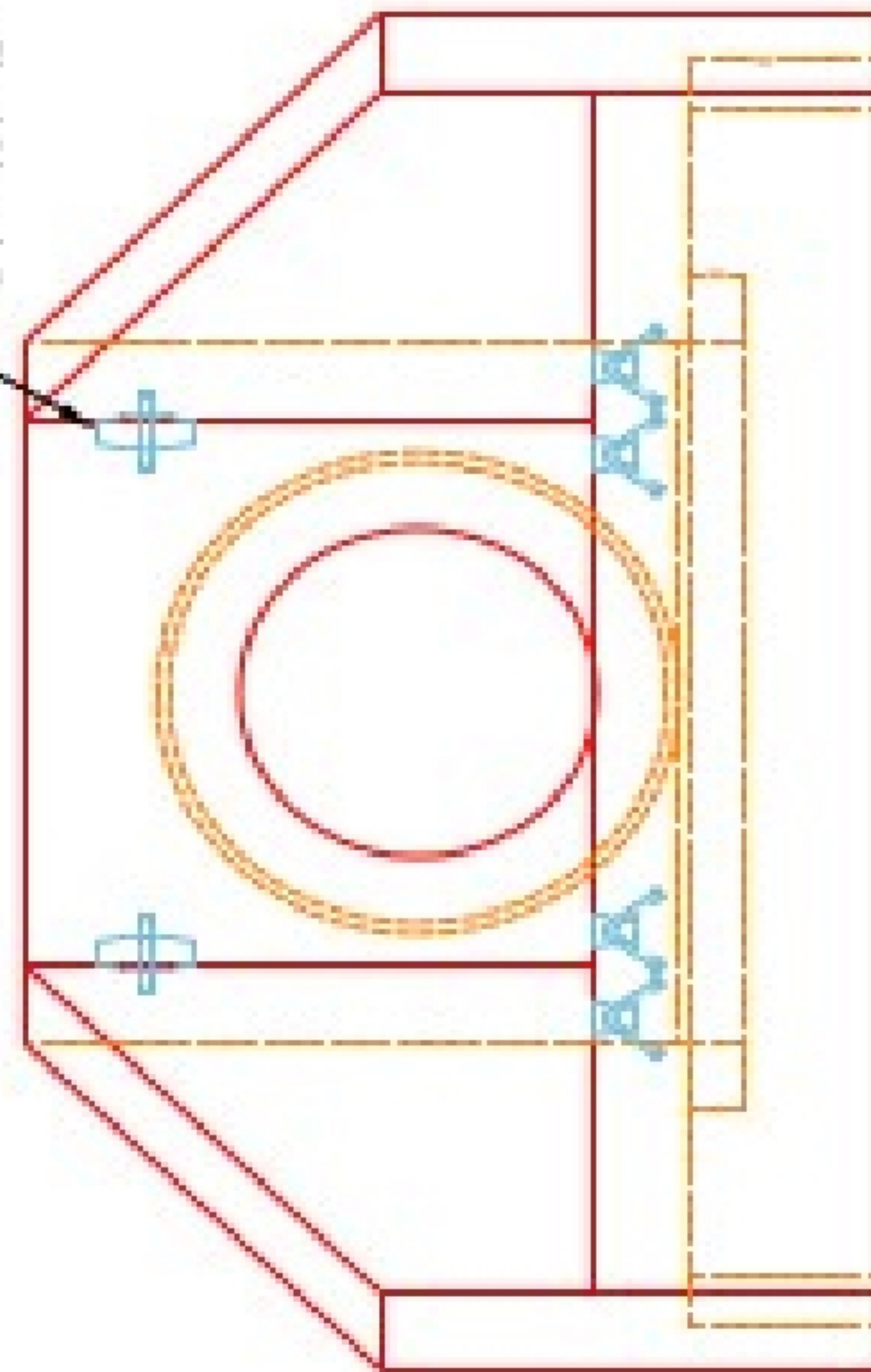


SECTION A-A



PLAN VIEW

"A-ANCHOR" LIFTING SYSTEM FOR PLANT & FIELD HANDLING.



FRONT ELEVATION

NOTES:

1. CONCRETE: KYTC APPROVED.
2. REINFORCING: #5 BAR @ 12" C/C E.W.-GRADE 60, (WITH 2" CONCRETE COVER MINIMUM)
3. REINFORCING BARS TO BE TACK WELDED OR TIED.
4. PIPE AND LIFTING ANCHOR POCKETS TO BE GROUTED WITH KYTC APPROVED NON-SHRINK GROUT.
5. DRAWING TO BE USED IN CONJUNCTION WITH KYTC STD. DRAWING RDH-110-02, RDH-210-03 AND THE STANDARD SPECIFICATIONS FOR ROAD AND BRIDGE CONSTRUCTION.
6. 1/4" CHAMFER ON ALL EXPOSED EDGES.
7. PREFORMED STEPPED HOLE SIZED AS PER O.D. OF PIPE + 3"-4".

APPROVED FOR DESIGN ONLY

APPROVED

AS PER SPECIFICATION 108.03

KYTC DIV. OF CONSTRUCTION

1/20/2021 9:50 am

INSTRUCTION



INFRASTRUCTURE PRECAST, INC.
 601 WEST 7TH ST., BEAVER DAM, KY. 40009
 PHONE: 502-338-2228, FAX: 502-338-7208

KYTC 30" - 60" PIPE CULVERT HEADWALL

DRAWING NO.: KYTC PC-118 DATE: 12-14-20
 DESIGNED BY: J.H. RABALA, P.E. DRAWN BY: M. REHARZ
 WEB: WWW.IPCAST.COM SCALE: N/P