

**Job Name: 25-3170 - Publix BG**  
**Job Location: Bowling Green, KY**  
**Contractor: Scotty's Contracting & Stone, LLC**

PC: C. Goff  
 TECH: K. Cardwell  
 Plant: Beaver Dam, KY



Structure ID: DBI9  
 Spec: Storm  
 Type: BX 8inW, 8inF  
 Size: 24" x 30"

Rim: 576.44'  
 Invert: 574.2'  
 Rim to Invert: 2.24'

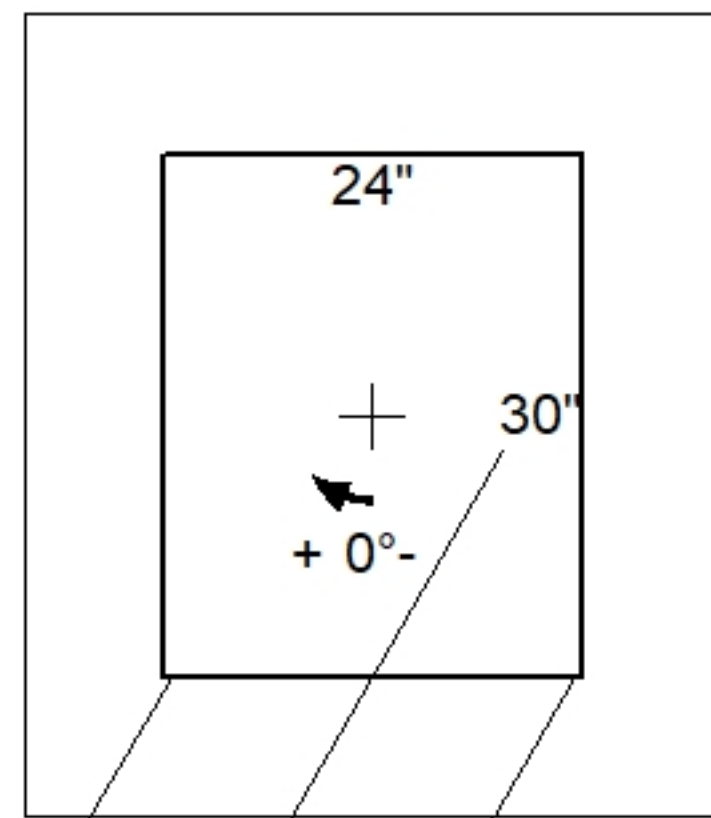
Sump: 0"  
 Floor (Top): 574.2'  
 Floor Height: 8"

Floor (Bot): 573.533'  
 Overall Height: 2.833'  
 Slack: 0.88"

**Structure Notes:**  
 PLAN LABEL: DBI 9  
 1. PER ASTM C-913 SPECS  
 2. CONCRETE: 4,000 PSI AT 28 DAYS  
 3. REINFORCEMENT: #5 BAR @ 12" C.C. E.W. (GRADE 60)  
 4. KY 460 FRAME & GRATE SUPPLIED BY ICAST

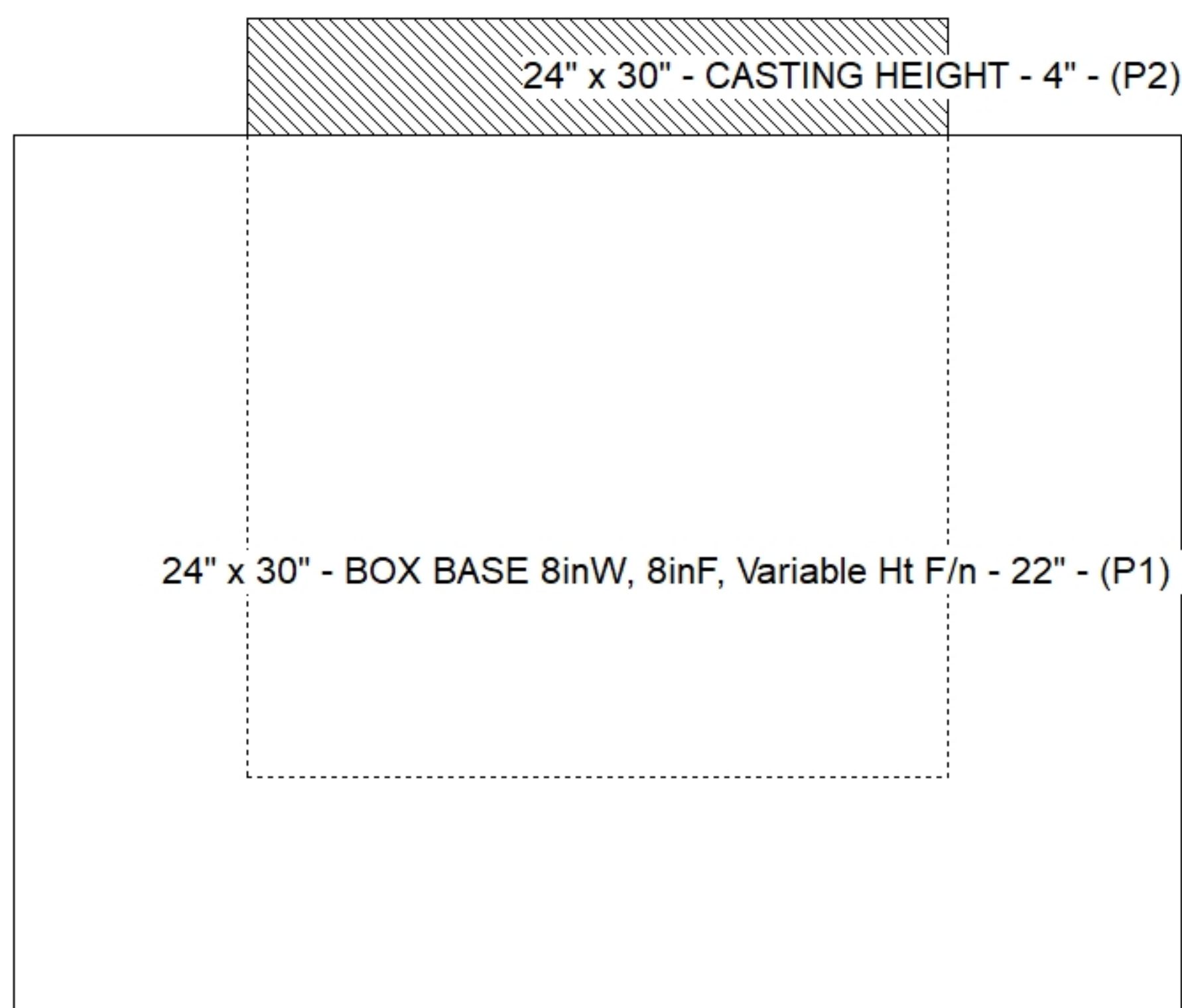
**STRUCTURE SUMMARY:**

P2) 24" x 30" - CASTING HEIGHT - 4"	0 lb
P1) 24" x 30" - BOX BASE 8inW, 8inF, Variable Ht F/n - 22"	3059 lb
1) CASTING - HOE KY-460-11 F/G (DBI 11)	421 lb
1) 24" x 30" - Conseal CS-102 1.00"	0 lb
1) Hole - 20	0 lb
	-----
<b>Structure Total:</b>	<b>3480 lb</b>

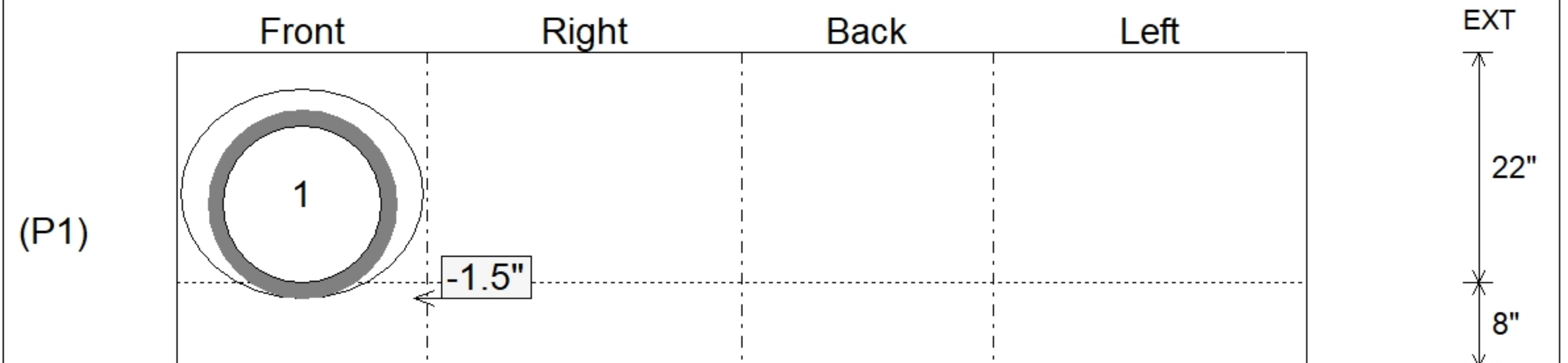


Invert: 1  
 Degree: 30°

Position	Elev	Angle	Pipe	Pipe OD	Hole	Connector	Up ( )	Ref
Rim	576.44'							
Reducer								
Invert 1	574.2'	30°	15" ADS N-12	18"	20"	Hole 20	-1.5"	P1
Invert 2								
Invert 3								
Invert 4								
Invert 5								
Invert 6								
Invert 7								
Invert 8								



**Cast (Int. Dim.) - Interior Dimensions**



Submittal Drawing  
 10/23/2025 7:20:17 AM

SUBMITTAL  
 APPROVED BY: