

Job Name: 25-3170 - Publix BG
Job Location: Bowling Green, KY
Contractor: Scotty's Contracting & Stone, LLC

PC: C. Goff
 TECH: K. Cardwell
 Plant: Beaver Dam, KY



Structure ID: DBI7
 Spec: Storm
 Type: STM.MH
 Size: 48"

Rim: 577.61'
 Invert: 573.25'
 Rim to Invert: 4.36'

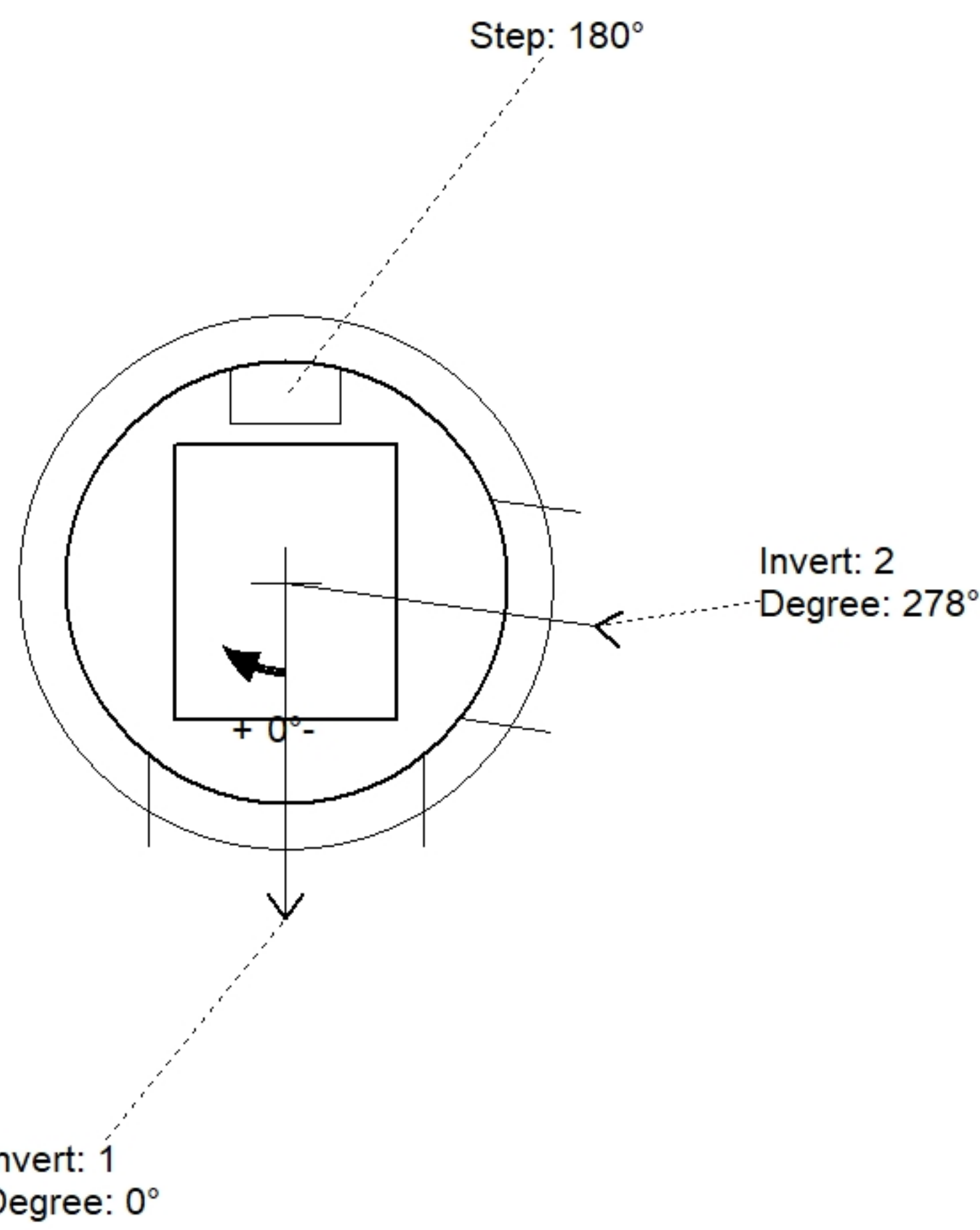
Sump: 2"
 Floor (Top): 573.083'
 Floor Height: 6"

Floor (Bot): 572.583'
 Overall Height: 4.833'
 Slack: 2.32"

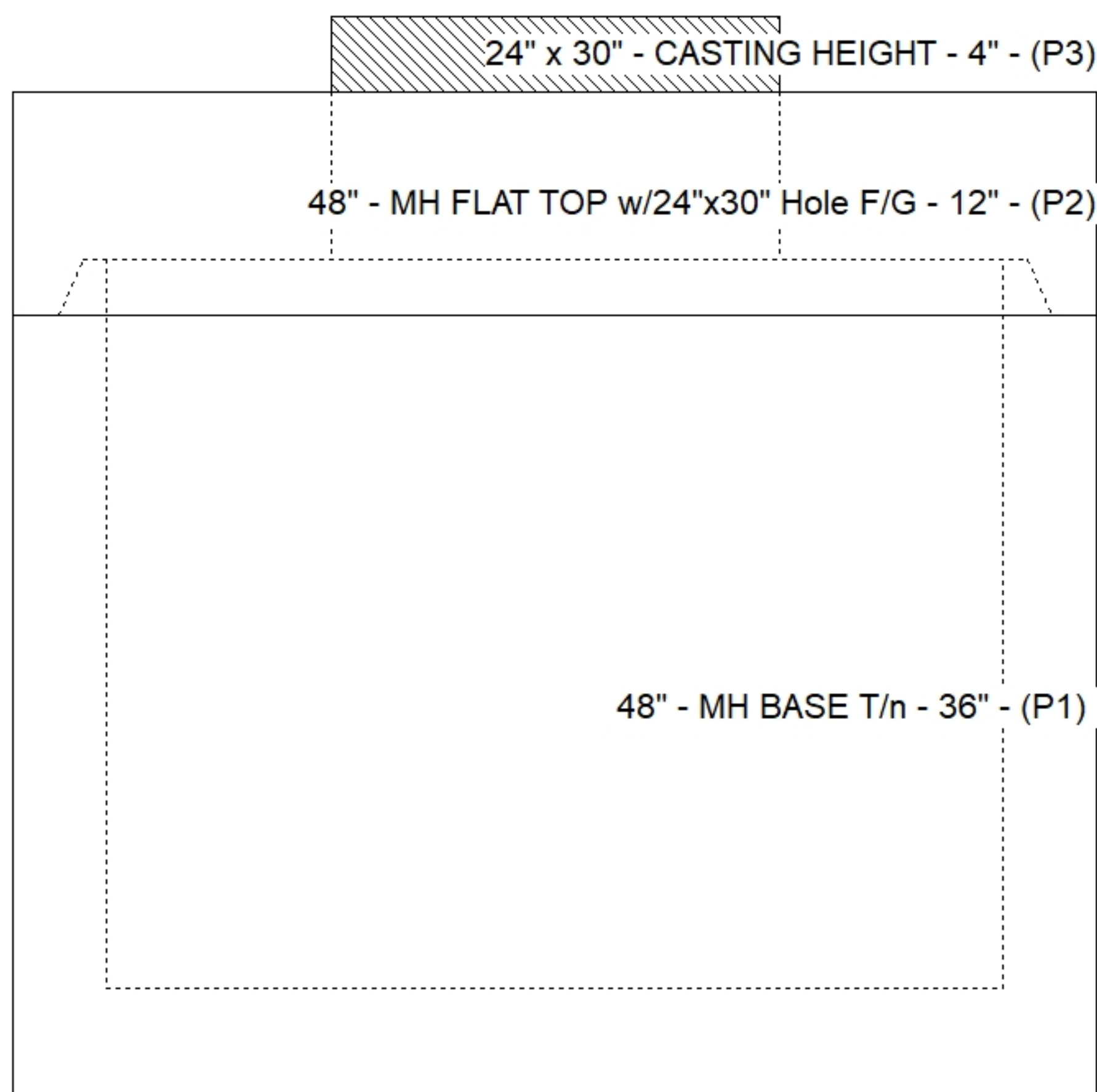
- Structure Notes:**
 PLAN LABEL: DBI 7
- PER ASTM C-478 SPECS
 - CONCRETE: 4,000 PSI AT 28 DAYS
 - REINFORCEMENT:
 - FLAT LID: #4 BAR @ 10" C.C. E.W. (GRADE 60)
 - BASE: PER ASTM A615
 - STEPS AT 180 DEGREES
 - KY 460 FRAME & GRATE SUPPLIED BY ICAST

STRUCTURE SUMMARY:

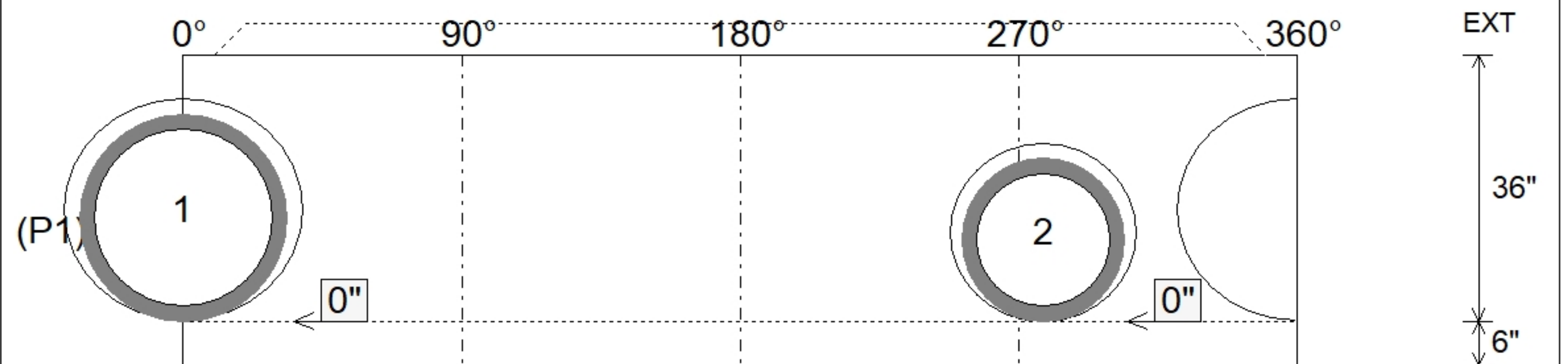
P3) 24" x 30" - CASTING HEIGHT - 4"	0 lb
P2) 48" - MH FLAT TOP w/24"x30" Hole F/G - 12"	1935 lb
P1) 48" - MH BASE T/n - 36"	3332 lb
1) CASTING - HOE KY-460-11 F/G (DBI 11)	421 lb
1) 48" - Conseal CS-102 1.00"	0 lb
1) 24" x 30" - Conseal CS-102 1.00"	0 lb
1) Hole - 30	0 lb
1) Hole - 24	0 lb
3) MH Step ML-10-TDS-NCR - 10"	0 lb
Structure Total:	5688 lb



Position	Elev	Angle	Pipe	Pipe OD	Hole	Connector	Up (")	Ref
Rim	577.61'							
Reducer								
Invert 1	573.25'	0°	24" ADS N-12	28"	30"	Hole 30	0"	P1
Invert 2	573.25'	278°	18" ADS N-12	22"	24"	Hole 24	0"	P1
Invert 3								
Invert 4								
Invert 5								
Invert 6								
Invert 7								
Invert 8								



Cast (Int. Dim.) - Interior Dimensions



Submittal Drawing
 10/23/2025 7:20:18 AM

SUBMITTAL
 APPROVED BY: