

Job Name: 25-3170 - Publix BG
 Job Location: Bowling Green, KY
 Contractor: Scotty's Contracting & Stone, LLC

Plant: Beaver Dam, KY
 10/9/2025 7:48:40 AM

Tech: K. Cardwell
 PC: C. Goff



Structure ID: DBI7

P2 MH048LD12-24X30RECT

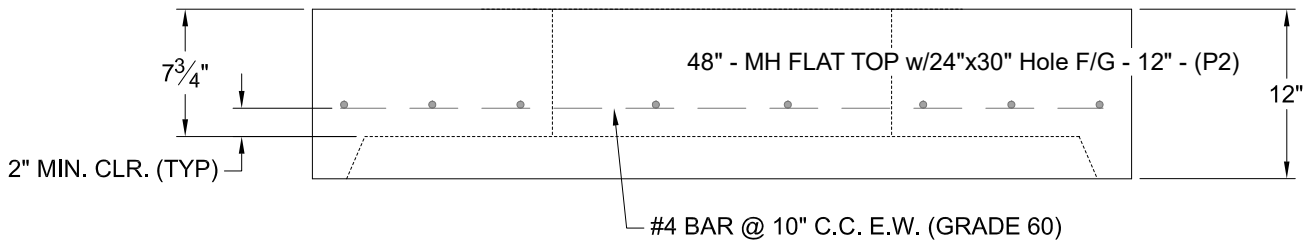
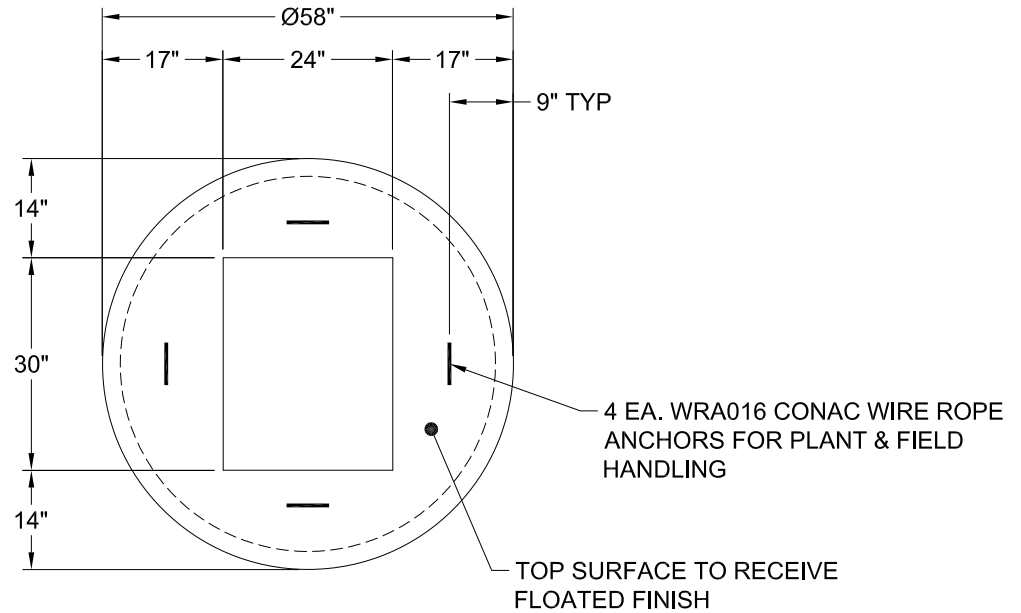
MH FLAT TOP w/24"x30" Hole F/G

- P3) 24" x 30" - CASTING HEIGHT - 4"
- P2) 48" - MH FLAT TOP w/24"x30" Hole F/G - 12"
- P1) 48" - MH BASE T/n - 36"
- 1) CASTING - HOE KY-460-11 F/G (DBI 11)
- 1) 48" - Conseal CS-102 1.00"
- 1) 24" x 30" - Conseal CS-102 1.00"
- 1) Hole - 30
- 1) Hole - 24
- 3) MH Step ML-10-TDS-NCR - 10"

0 lb
 1935 lb
 3332 lb
 421 lb
 0 lb
 0 lb
 0 lb
 0 lb
 0 lb
 0 lb

 Structure Total: 5688 lb

Structure Notes:
 PLAN LABEL: DBI 7
 1. PER ASTM C-478 SPECS
 2. CONCRETE: 4,000 PSI AT 28 DAYS
 3. REINFORCEMENT: #4 BAR @ 10" C.C. E.W. (GRADE 60) - 2" MIN. REBAR CLEARANCE (TYP)
 4. STEPS AT 180 DEGREES
 5. KY 460 FRAME & GRATE SUPPLIED BY ICAST
 6. LIFTERS: 4 EA. WRA016 CONAC WIRE ROPE ANCHORS FOR PLANT & FIELD HANDLING



Coating (Int): Coating (Ext):	Seam Up: Flat Seam Dn: Groove	Wall Thickness: 5"	Height (Ext): 12"	Weight (Net): 1935 lb Volume (Net): 0.49cu.yd
----------------------------------	----------------------------------	--------------------	-------------------	--