

**Structure ID: DBI5**

**P1 MH048BA42**

**MH BASE T/n**

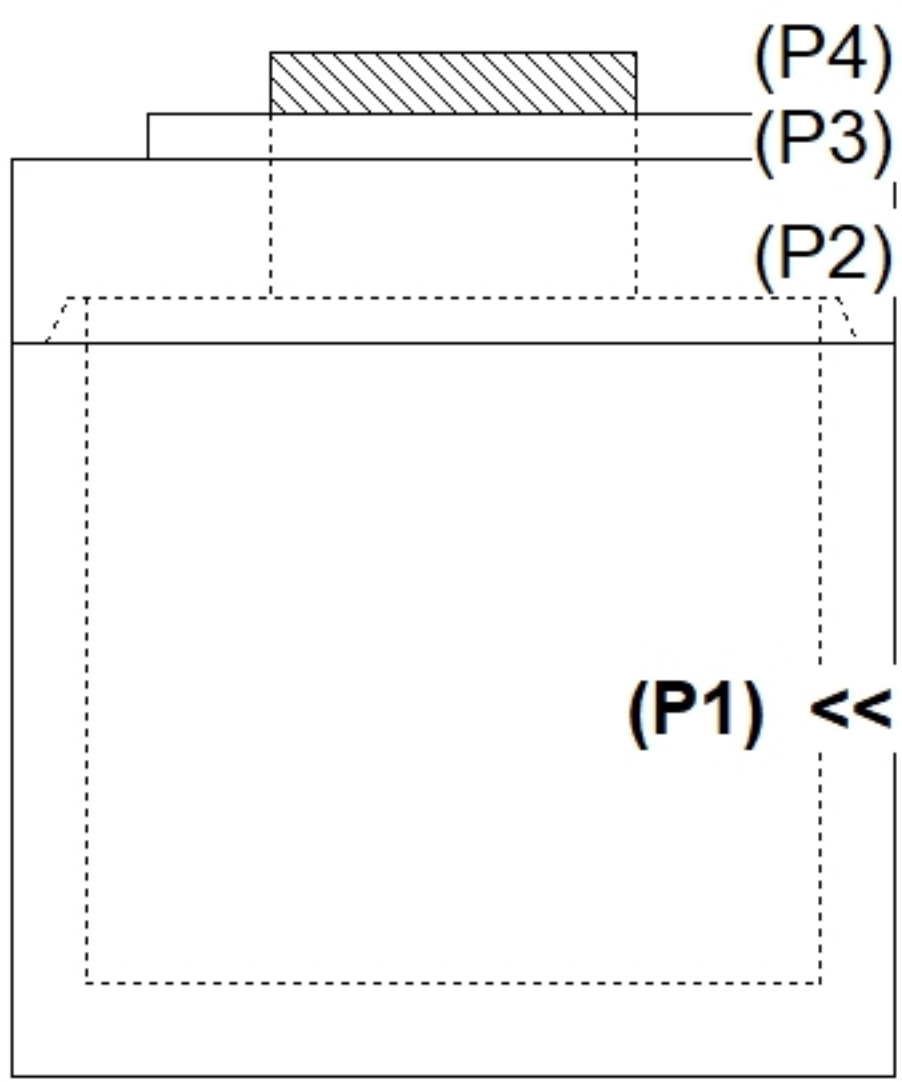
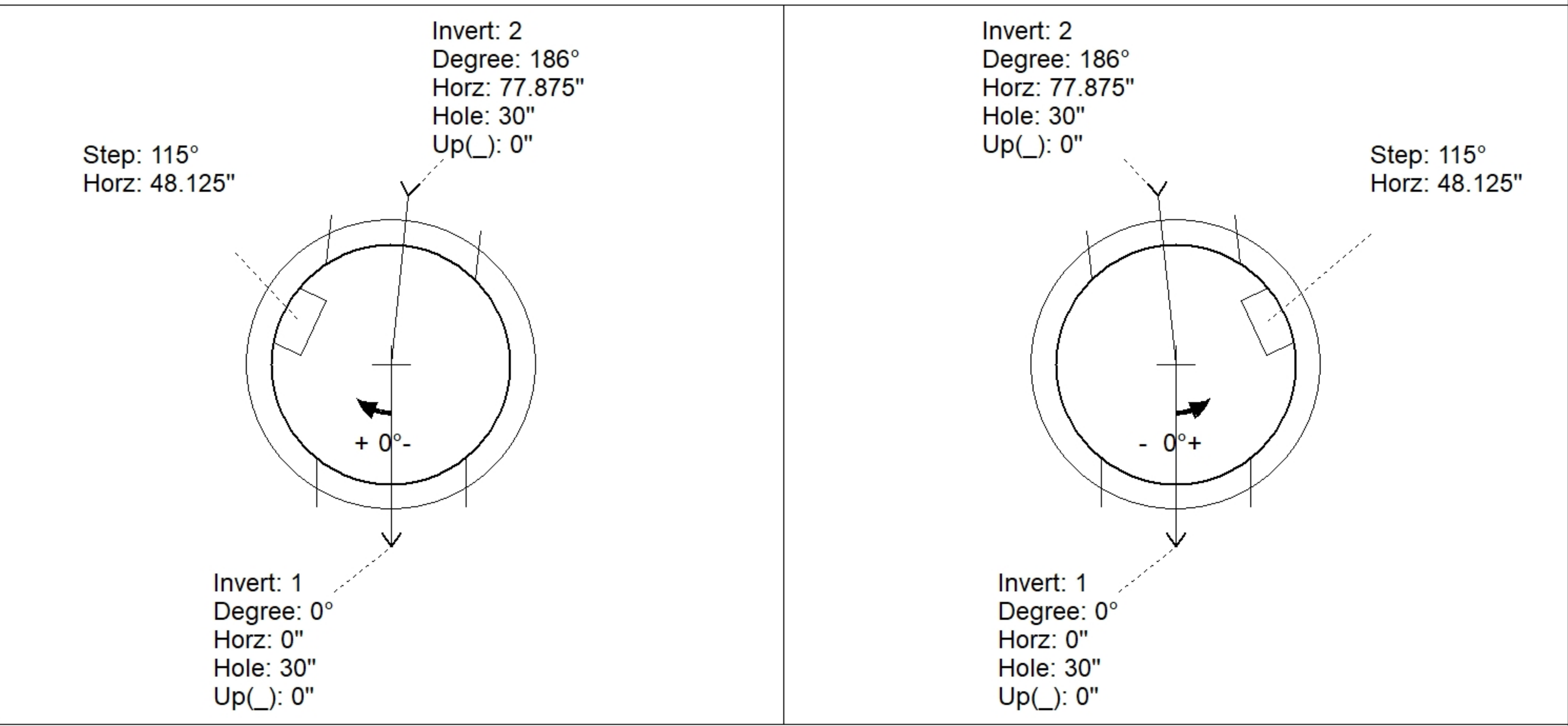
P4) 24" x 30" - CASTING HEIGHT - 4" P3) 24" x 30" - GRADE RING F/F - 3" P2) 48" - MH FLAT TOP w/24"x30" Hole F/G - 12" P1) 48" - MH BASE T/n - 42" 1) CASTING - HOE KY-460-11 F/G (DBI 11) 1) 48" - Conseal CS-102 1.00" 2) 24" x 30" - Conseal CS-102 1.00" 2) Hole - 30 3) MH Step ML-10-TDS-NCR - 10"	0 lb 282 lb 1935 lb 3632 lb 421 lb 0 lb 0 lb 0 lb 0 lb 0 lb	<b>Structure Notes:</b> PLAN LABEL: DBI 5 1. PER ASTM C-478 SPECS 2. CONCRETE: 4,000 PSI AT 28 DAYS 3. REINFORCEMENT: - FLAT LID: #4 BAR @ 10" C.C. E.W. (GRADE 60) - BASE: PER ASTM A615 4. STEPS AT 115 DEGREES 5. KY 460 FRAME & GRATE SUPPLIED BY ICAST
Structure Total: 6271 lb		

Rim: 576.6'    Rim to Invert: 5.08'    Slack: 1.96"    Sump: 2"    Step Position: 115

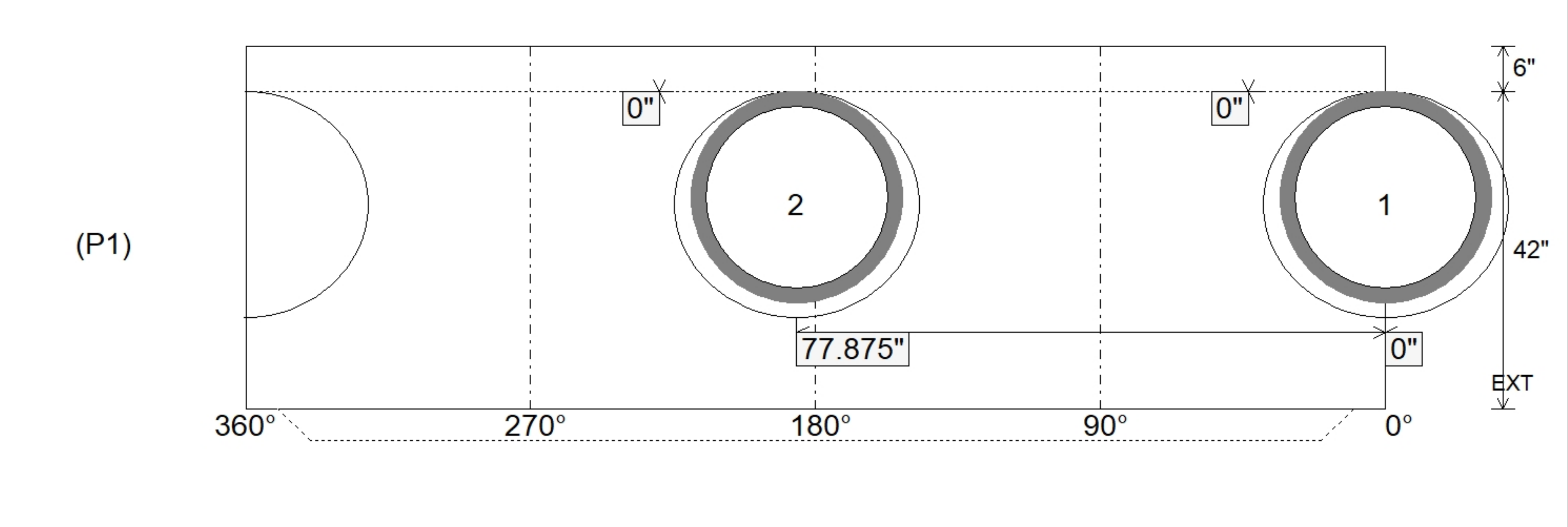
Position	Elev	Angle	Ext. (cw)	Pipe	Pipe OD	Connector	Hole	Horz Size	Up ( )	Offset
Invert 1	571.52'	0°	0"	24" ADS N-12	28"	Hole 30	30"	32.406"	0"	0"
Invert 2	571.52'	186°	94.125"	24" ADS N-12	28"	Hole 30	30"	32.406"	0"	0"
Invert 3										
Invert 4										
Invert 5										
Invert 6										
Invert 7										
Invert 8										

**RIGHT-SIDE UP VIEW (int. dimensions)**

**UPSIDE-DOWN VIEW (int. dimensions)**



**INSIDE WALL DIMENSIONS**



Coating (Int): Coating (Ext):	Seam Up: Tongue Seam Dn: n/a	Wall Thickness: 5" Floor Height: 6"	Height (Int): 42" Height (Ext): 48"	Weight (Net): 3632 lb Volume (Net): 0.93cu.yd
----------------------------------	---------------------------------	----------------------------------------	----------------------------------------	--------------------------------------------------