

Job Name: 25-3170 - Publix BG Job Location: Bowling Green, KY Contractor: Scotty's Contracting & Stone, LLC	Plant: Beaver Dam, KY 10/23/2025 7:21:03 AM	Tech: K. Cardwell PC: C. Goff	
---	--	----------------------------------	--

Structure ID: DBI5 (DILLARD RD)

P1 BX24300808VF

BOX BASE 8inW, 8inF, Variable Ht F/n

P2) 24" x 30" - CASTING HEIGHT - 4"	0 lb
P1) 24" x 30" - BOX BASE 8inW, 8inF, Variable Ht F/n - 25"	3315 lb
1) CASTING - HOE KY-460-11 F/G (DBI 11)	421 lb
1) 24" x 30" - Conseal CS-102 1.00"	0 lb
2) Hole - 16	0 lb
Structure Total:	3736 lb

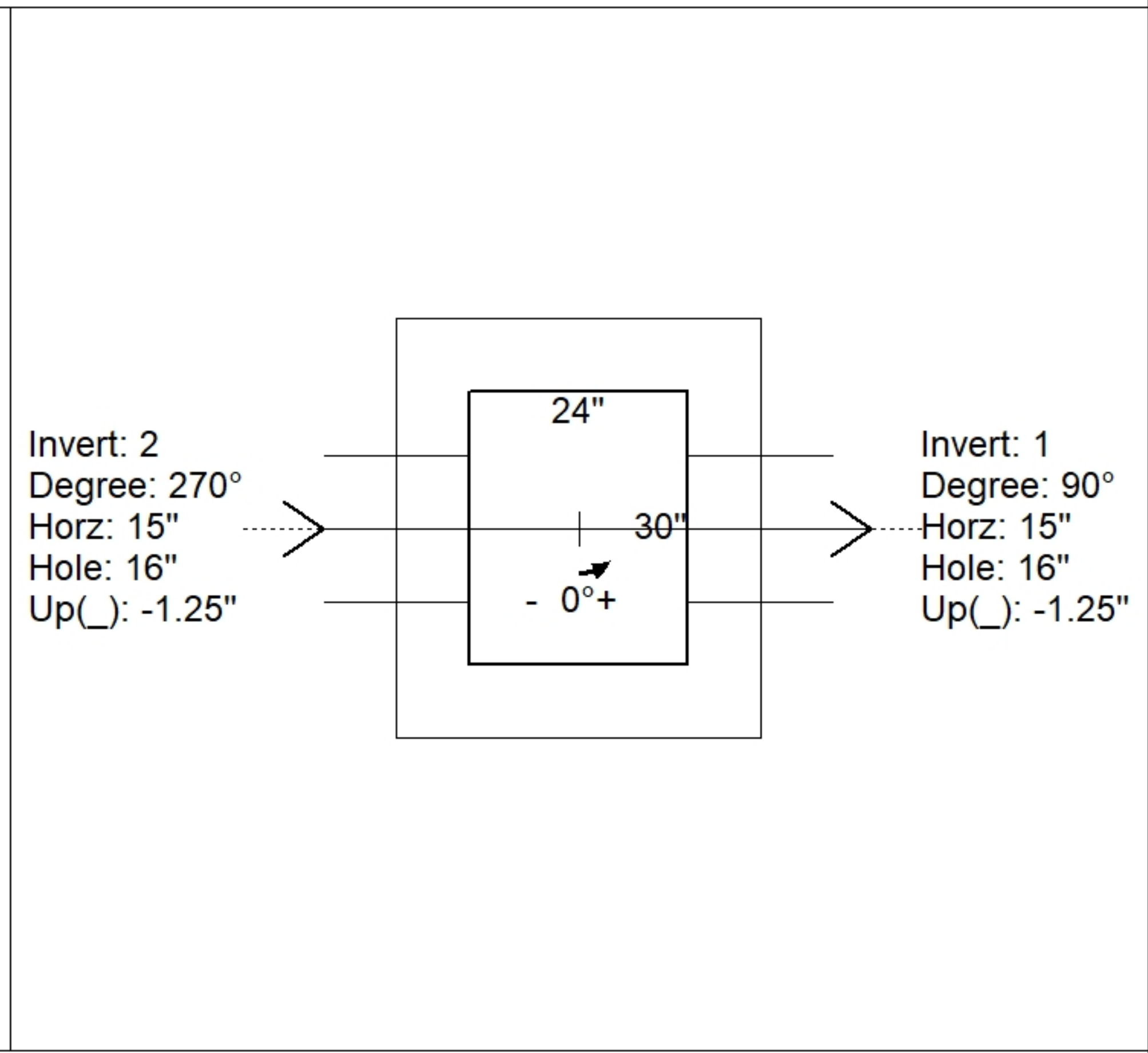
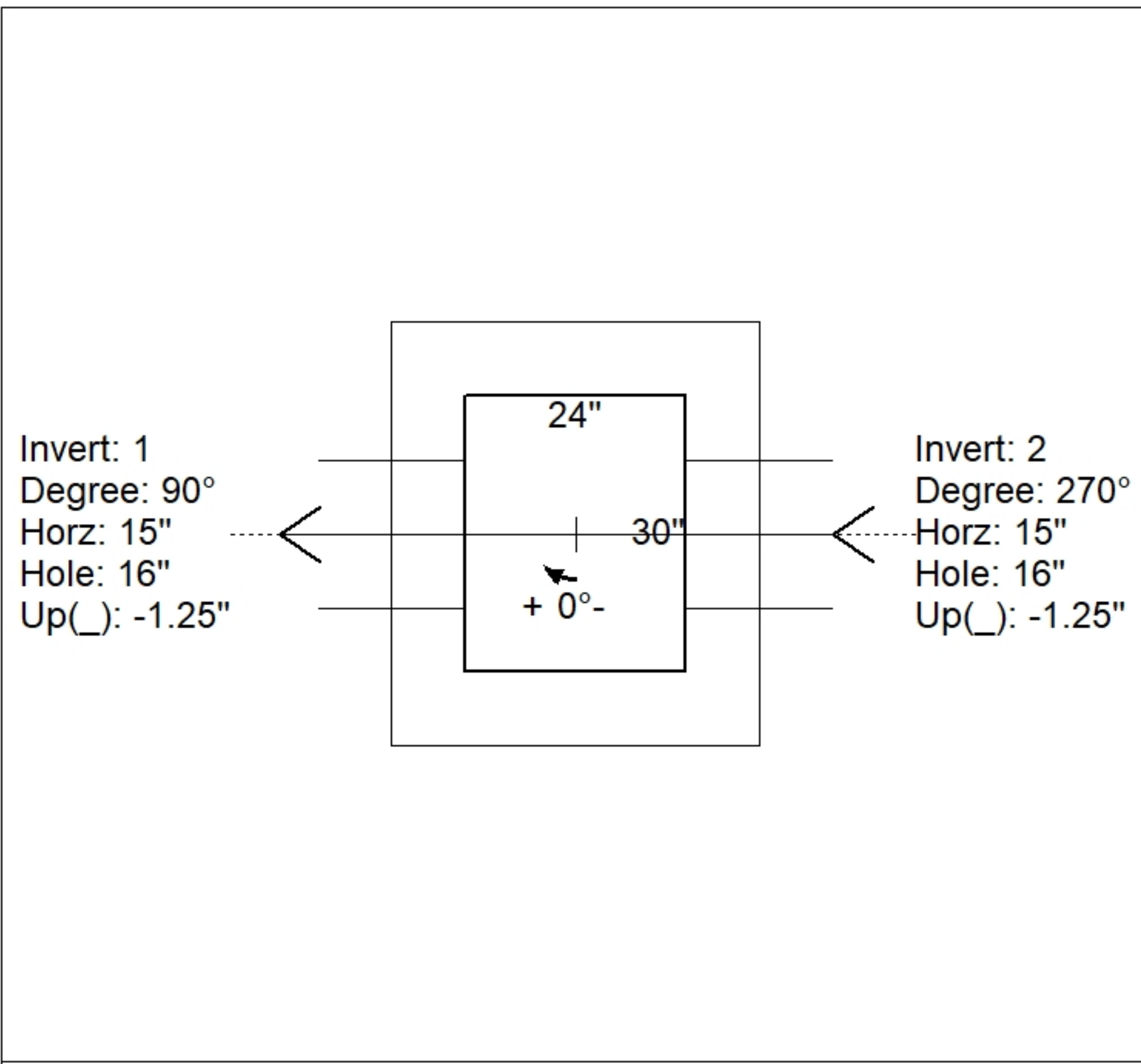
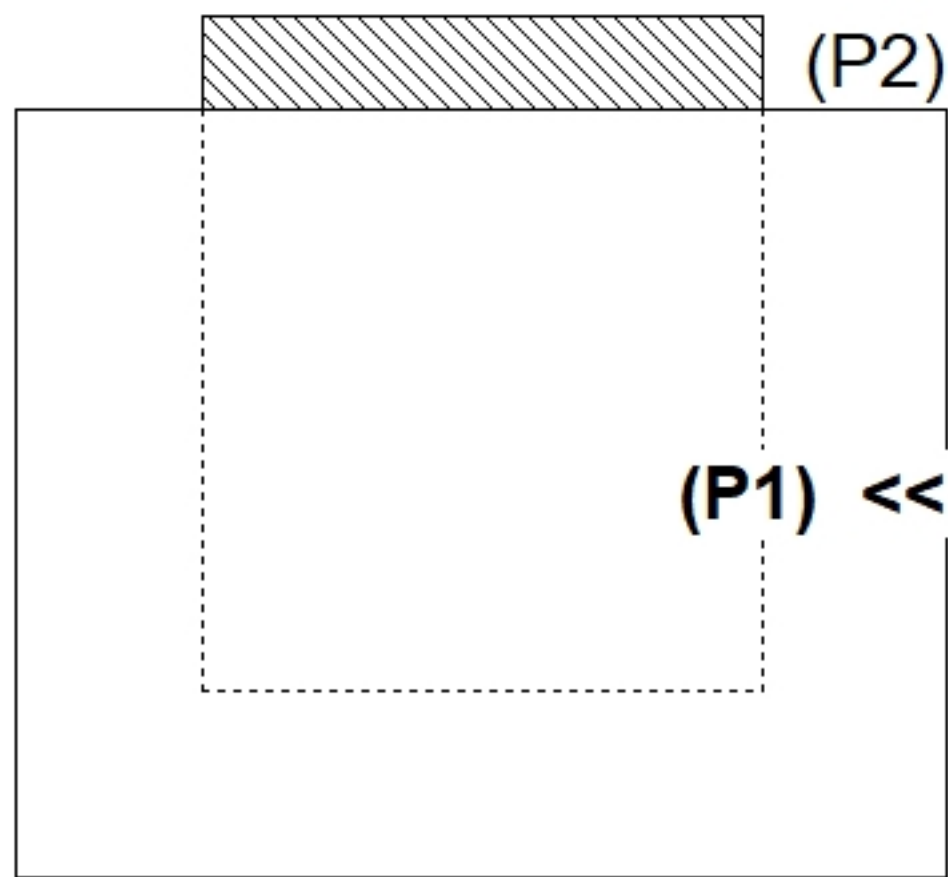
Structure Notes:
 PLAN LABEL: DBI-5 (DILLARD RD)
 1. PER ASTM C-913 SPECS
 2. CONCRETE: 4,000 PSI AT 28 DAYS
 3. REINFORCEMENT: #5 BAR @ 12" C.C. E.W. (GRADE 60)
 4. KY 460 FRAME & GRATE SUPPLIED BY ICAST

Rim: 568' Rim to Invert: 2.47' Slack: 0.64" Sump: 0" Step Position:

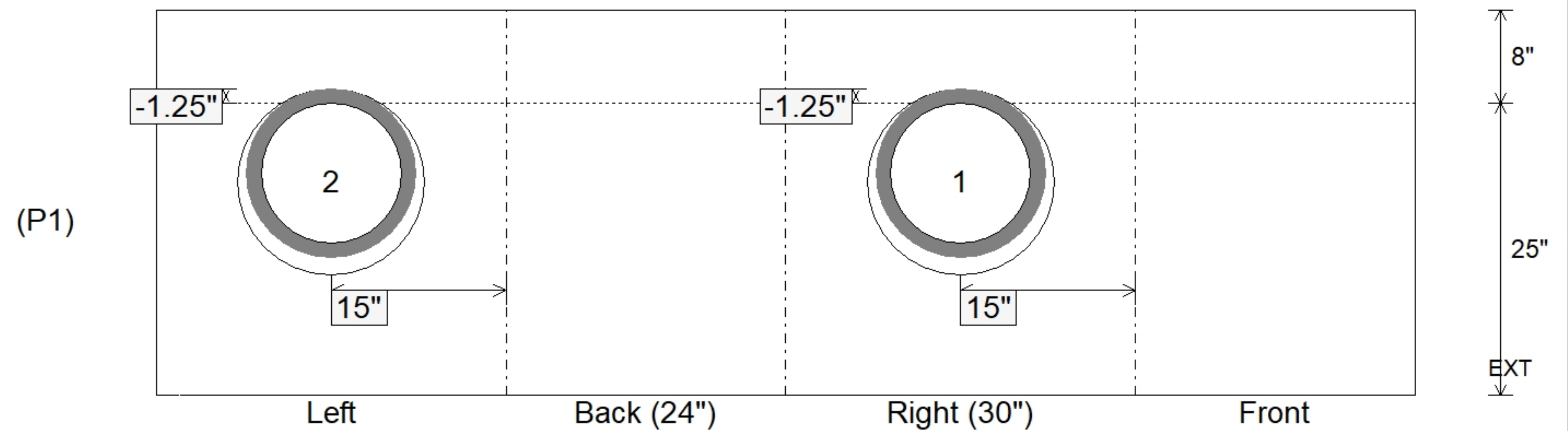
Position	Elev	Angle	Ext. (cw)	Pipe	Pipe OD	Connector	Hole	Horz Size	Up ()	Offset
Invert 1	565.53'	90°	23"	12" ADS N-12	14.5"	Hole 16	16"	16"	-1.25"	0"
Invert 2	565.53'	270°	23"	12" ADS N-12	14.5"	Hole 16	16"	16"	-1.25"	0"
Invert 3										
Invert 4										
Invert 5										
Invert 6										
Invert 7										
Invert 8										

RIGHT-SIDE UP VIEW (int. dimensions)

UPSIDE-DOWN VIEW (int. dimensions)



INSIDE WALL DIMENSIONS



Coating (Int): Coating (Ext):	Seam Up: Flat Seam Dn: n/a	Wall Thickness: 8" Floor Height: 8"	Height (Int): 25" Height (Ext): 33"	Weight (Net): 3315 lb Volume (Net): 0.85cu.yd
----------------------------------	-------------------------------	--	--	--