

Job Name: 25-3170 - Publix BG
Job Location: Bowling Green, KY
Contractor: Scotty's Contracting & Stone, LLC

PC: C. Goff
 TECH: K. Cardwell
 Plant: Beaver Dam, KY



Structure ID: **DBI4**
 Spec: Storm
 Type: BX 8inW, 8inF
 Size: 24" x 30"

Rim: 575.89'
 Invert: 572.39'
 Rim to Invert: 3.5'

Sump: 0"
 Floor (Top): 572.39'
 Floor Height: 8"

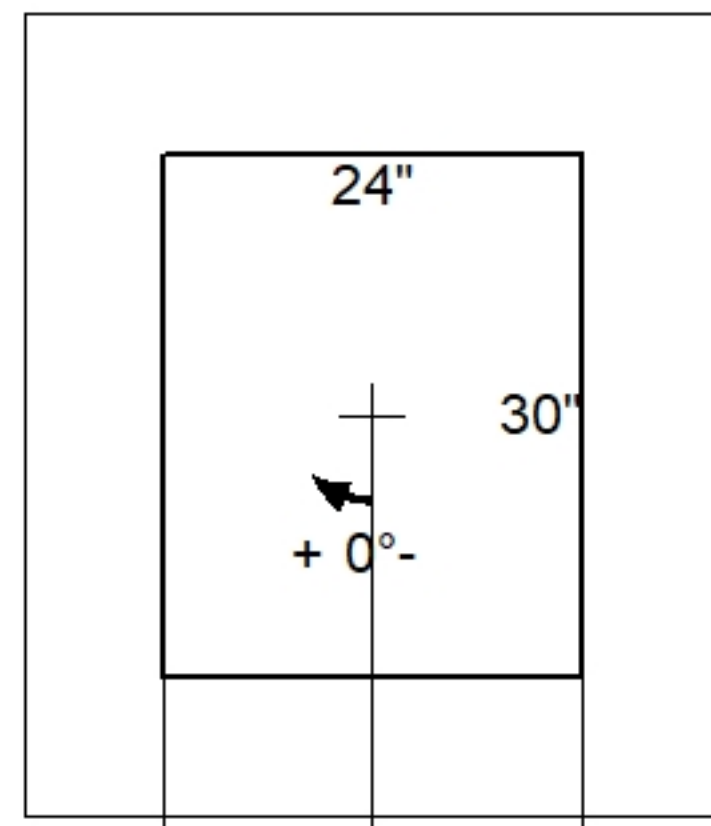
Floor (Bot): 571.723'
 Overall Height: 4.167'
 Slack: 0"

Structure Notes:
 PLAN LABEL: DBI 4
 1. PER ASTM C-913 SPECS
 2. CONCRETE: 4,000 PSI AT 28 DAYS
 3. REINFORCEMENT: #5 BAR @ 12" C.C. E.W. (GRADE 60)
 4. KY 460 FRAME & GRATE SUPPLIED BY ICAST

STRUCTURE SUMMARY:

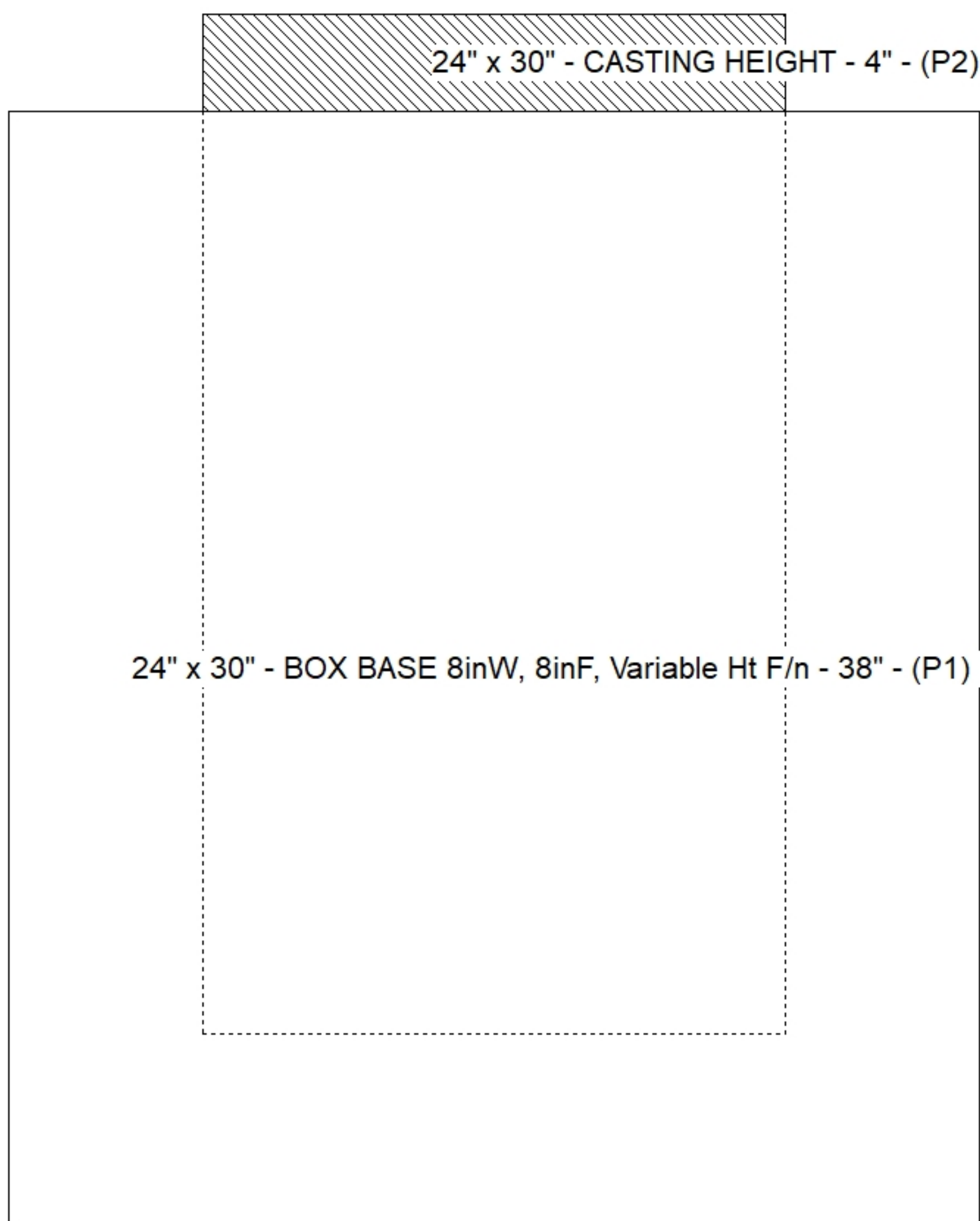
P2) 24" x 30" - CASTING HEIGHT - 4"	0 lb
P1) 24" x 30" - BOX BASE 8inW, 8inF, Variable Ht F/n - 38"	4579 lb
1) CASTING - HOE KY-460-11 F/G (DBI 11)	421 lb
1) 24" x 30" - Conseal CS-102 1.00"	0 lb
1) Hole - 24"	0 lb

Structure Total:	5000 lb

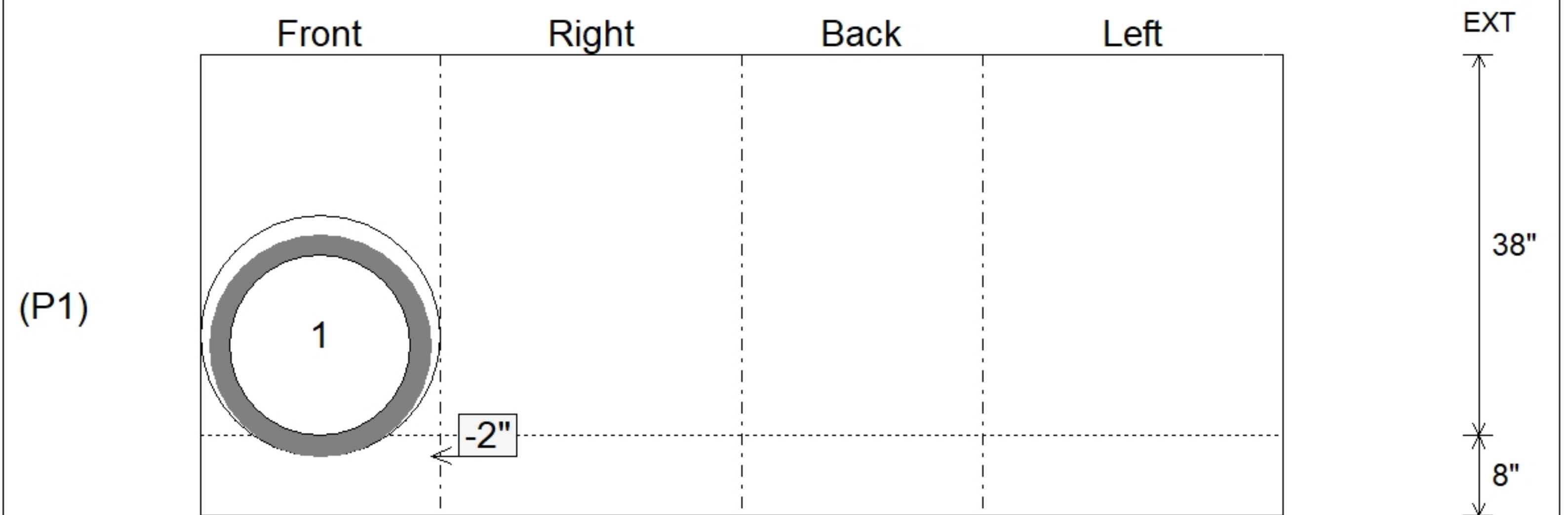


Invert: 1
 Degree: 0°

Position	Elev	Angle	Pipe	Pipe OD	Hole	Connector	Up (↓)	Ref
Rim	575.89'							
Reducer								
Invert 1	572.39'	0°	18" ADS N-12	22"	24"	Hole 24	-2"	P1
Invert 2								
Invert 3								
Invert 4								
Invert 5								
Invert 6								
Invert 7								
Invert 8								



Cast (Int. Dim.) - Interior Dimensions



Submittal Drawing
 10/23/2025 7:20:21 AM

SUBMITTAL
 APPROVED BY: