

Job Name: 25-3170 - Publix BG
Job Location: Bowling Green, KY
Contractor: Scotty's Contracting & Stone, LLC

PC: C. Goff
 TECH: K. Cardwell
 Plant: Beaver Dam, KY

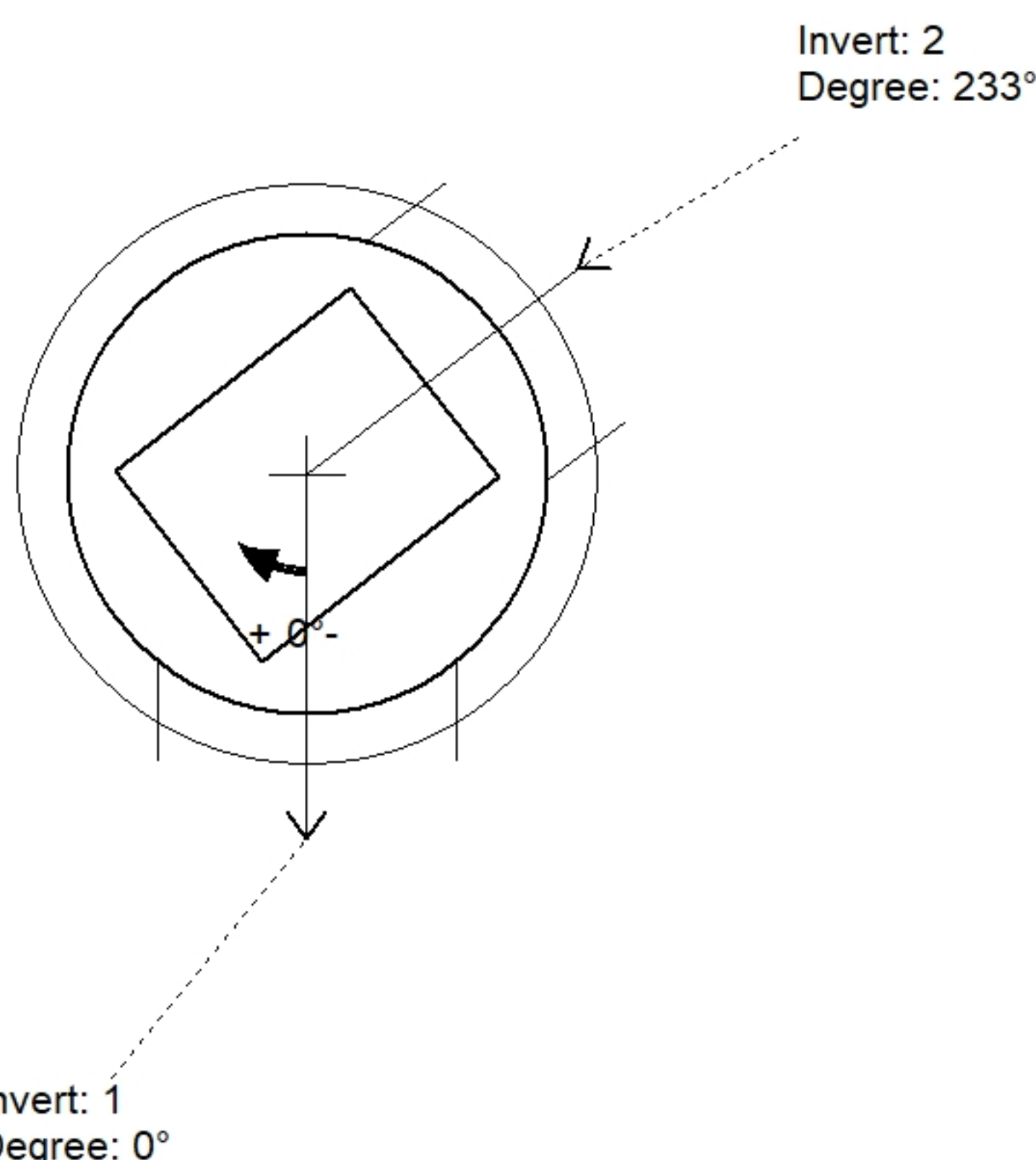


Structure ID: DBI4 (DILLARD RD)
 Spec: Storm Rim: 570.5' Sump: 2" Floor (Bot): 566.653'
 Type: STM.MH Invert: 567.32' Floor (Top): 567.153' Overall Height: 3.833'
 Size: 48" Rim to Invert: 3.18' Floor Height: 6" Slack: 0.16"

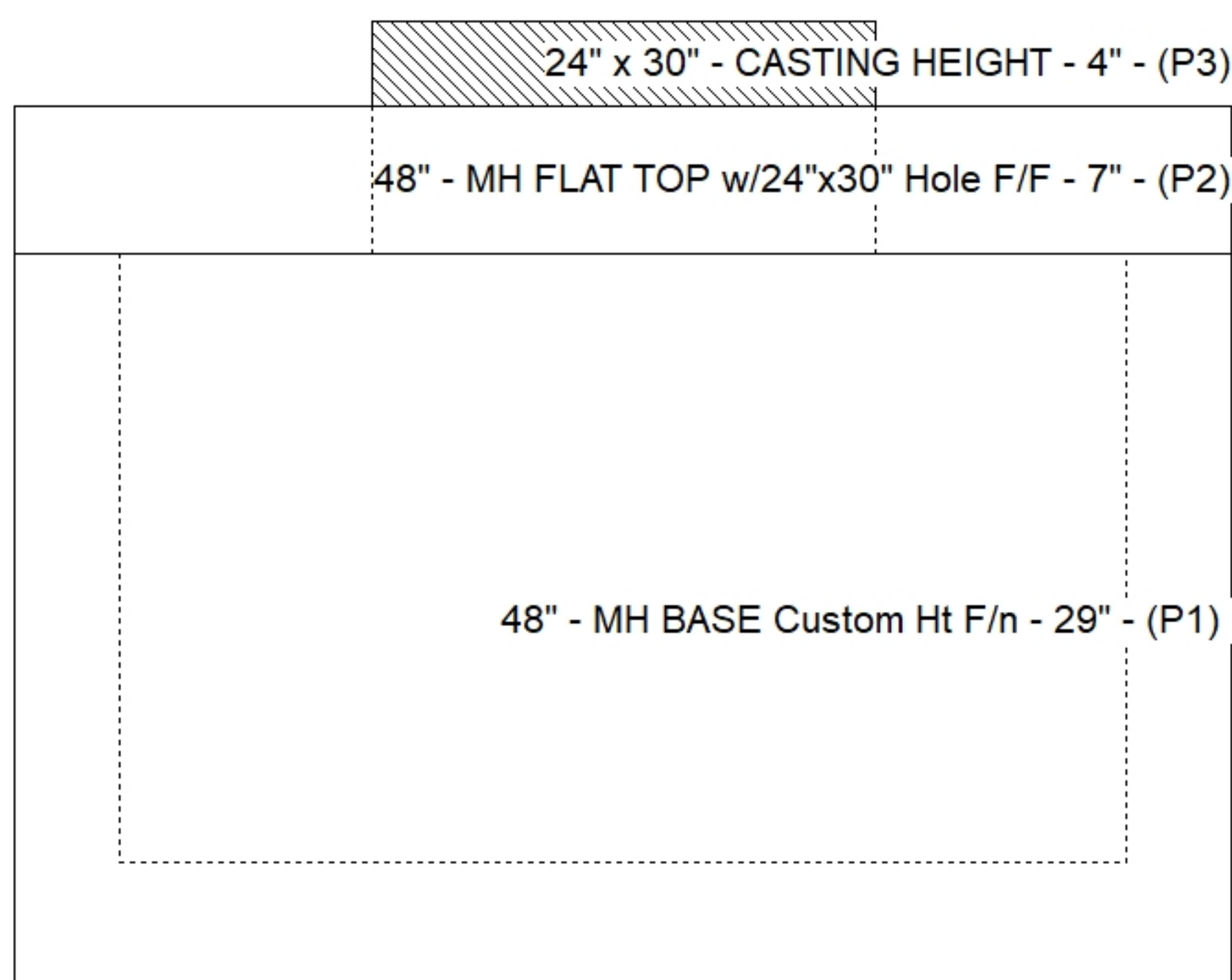
- Structure Notes:**
 PLAN LABEL: DBI-4 (DILLARD RD)
 1. PER ASTM C-478 SPECS
 2. CONCRETE: 4,000 PSI AT 28 DAYS
 3. REINFORCEMENT:
 - FLAT LID: #4 BAR @ 10" C.C. E.W. (GRADE 60)
 - BASE: PER ASTM A615
 4. NO STEPS
 5. KY 460 FRAME & GRATE SUPPLIED BY ICAST

STRUCTURE SUMMARY:

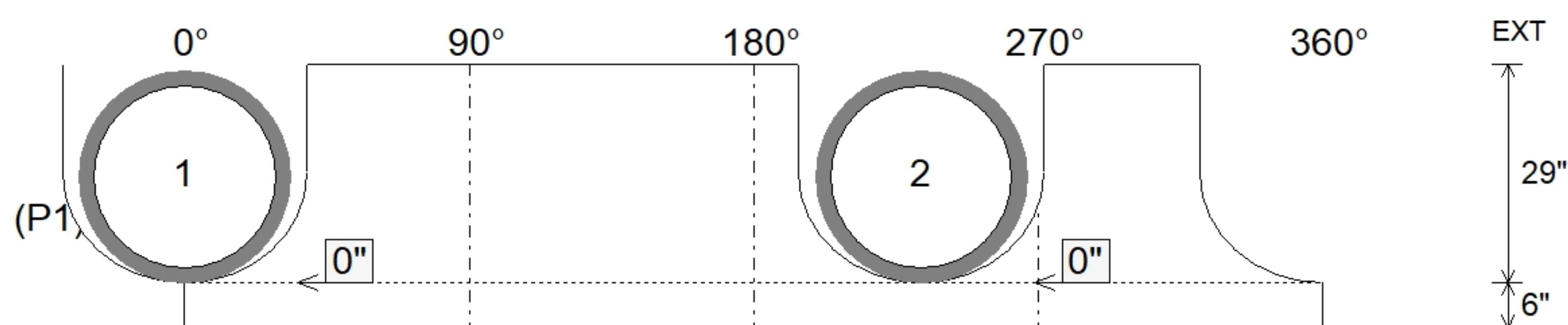
P3) 24" x 30" - CASTING HEIGHT - 4"	0 lb
P2) 48" - MH FLAT TOP w/24"x30" Hole F/F - 7"	1129 lb
P1) 48" - MH BASE Custom Ht F/n - 29"	2662 lb
1) CASTING - HOE KY-460-11 F/G (DBI 11)	421 lb
1) 48" - Conseal CS-102 1.00"	0 lb
1) 24" x 30" - Conseal CS-102 1.00"	0 lb
2) DOGHOUSE INVRTD - 30"x29"	0 lb
Structure Total:	4212 lb



Position	Elev	Angle	Pipe	Pipe OD	Hole	Connector	Up ()	Ref
Rim	570.5'							
Reducer								
Invert 1	567.32'	0°	24" ADS N-12	28"	30" x 29"	DOGHOUSE INVRTD 30"x29"	0"	P1
Invert 2	567.32'	233°	24" ADS N-12	28"	30" x 29"	DOGHOUSE INVRTD 30"x29"	0"	P1
Invert 3								
Invert 4								
Invert 5								
Invert 6								
Invert 7								
Invert 8								



Cast (Int. Dim.) - Interior Dimensions



Submittal Drawing
 10/23/2025 7:20:23 AM

SUBMITTAL
 APPROVED BY: