

Job Name: 25-3170 - Publix BG
 Job Location: Bowling Green, KY
 Contractor: Scotty's Contracting & Stone, LLC

Plant: Beaver Dam, KY
 10/9/2025 7:48:44 AM

Tech: K. Cardwell
 PC: C. Goff



Structure ID: DBI4 (DILLARD RD)

P2 MH048LD07-24X30RECT

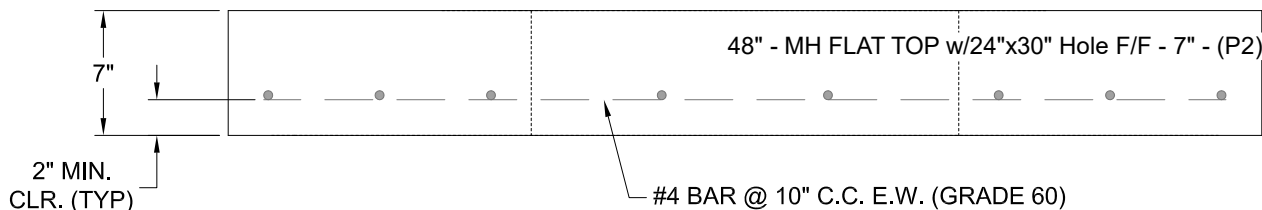
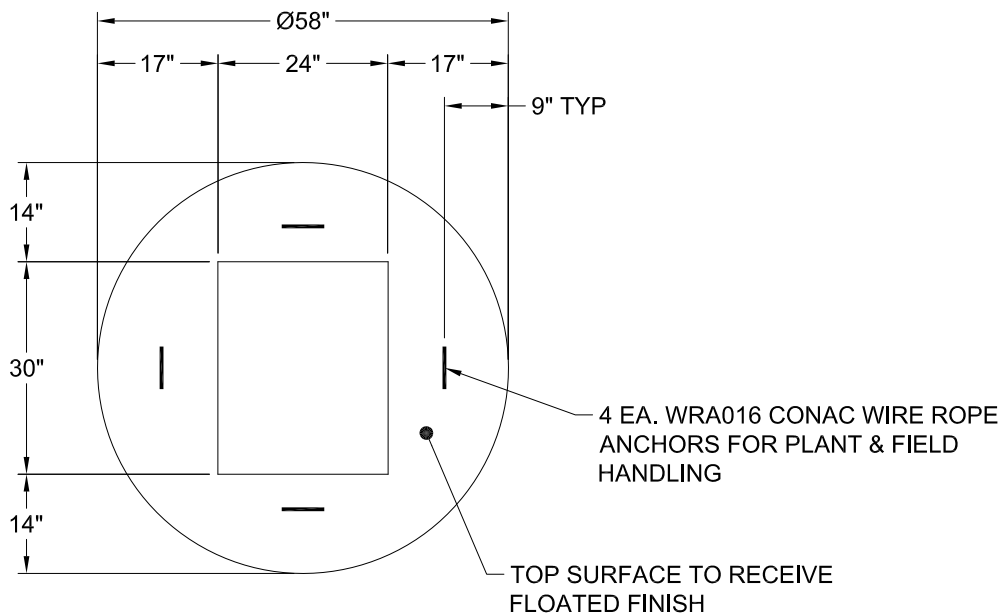
MH FLAT TOP w/24"x30" Hole F/F

- P3) 24" x 30" - CASTING HEIGHT - 4"
- P2) 48" - MH FLAT TOP w/24"x30" Hole F/F - 7"
- P1) 48" - MH BASE Custom Ht F/n - 29"
- 1) CASTING - HOE KY-460-11 F/G (DBI 11)
- 1) 48" - Conseal CS-102 1.00"
- 1) 24" x 30" - Conseal CS-102 1.00"
- 2) DOGHOUSE INVRTD - 30"x29"

0 lb
 1129 lb
 2662 lb
 421 lb
 0 lb
 0 lb
 0 lb

 0 lb
 Structure Total: 4212 lb

- Structure Notes:**
 PLAN LABEL: DBI-4 (DILLARD RD)
1. PER ASTM C-478 SPECS
 2. CONCRETE: 4,000 PSI AT 28 DAYS
 3. REINFORCEMENT: #4 BAR @ 10" C.C. E.W. (GRADE 60) - 2" MIN. REBAR CLEARANCE (TYP)
 4. NO STEPS
 5. KY 460 FRAME & GRATE SUPPLIED BY ICAST
 6. LIFTERS: 4 EA. WRA016 CONAC WIRE ROPE ANCHORS FOR PLANT & FIELD HANDLING



Coating (Int):
 Coating (Ext):

Seam Up: Flat
 Seam Dn: Flat

Wall Thickness: 5"

Height (Ext): 7"

Weight (Net): 1129 lb
 Volume (Net): 0.29cu.yd