

Job Name: 25-3170 - Publix BG Job Location: Bowling Green, KY Contractor: Scotty's Contracting & Stone, LLC	Plant: Beaver Dam, KY 10/23/2025 7:21:03 AM	Tech: K. Cardwell PC: C. Goff	
---	--	----------------------------------	--

Structure ID: DBI4 (DILLARD RD)

P1 MH048BAVF

MH BASE Custom Ht F/n

P3) 24" x 30" - CASTING HEIGHT - 4"	0 lb
P2) 48" - MH FLAT TOP w/24"x30" Hole F/F - 7"	1129 lb
P1) 48" - MH BASE Custom Ht F/n - 29"	2662 lb
1) CASTING - HOE KY-460-11 F/G (DBI 11)	421 lb
1) 48" - Conseal CS-102 1.00"	0 lb
1) 24" x 30" - Conseal CS-102 1.00"	0 lb
2) DOGHOUSE INVRTD - 30"x29"	0 lb
Structure Total:	4212 lb

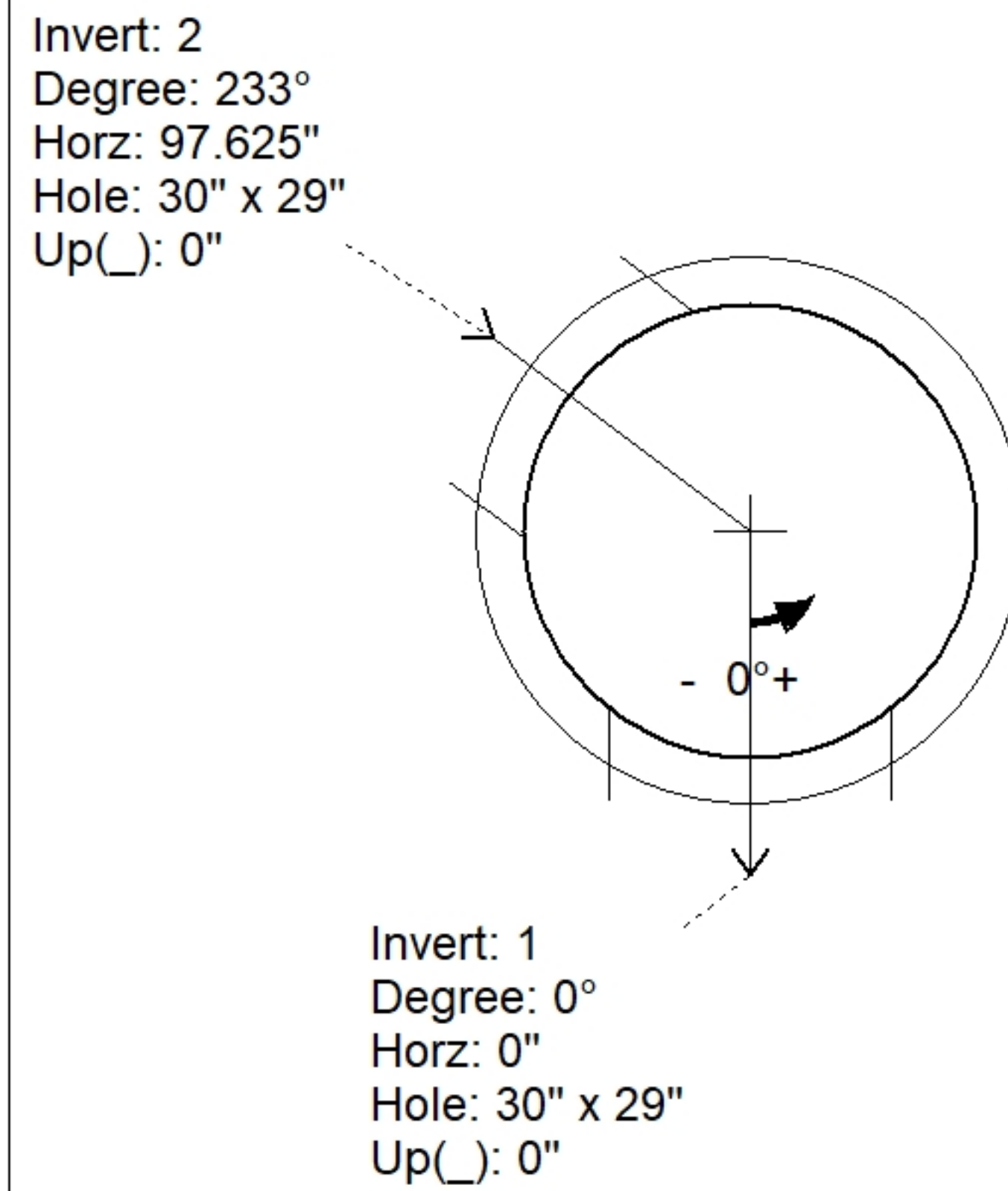
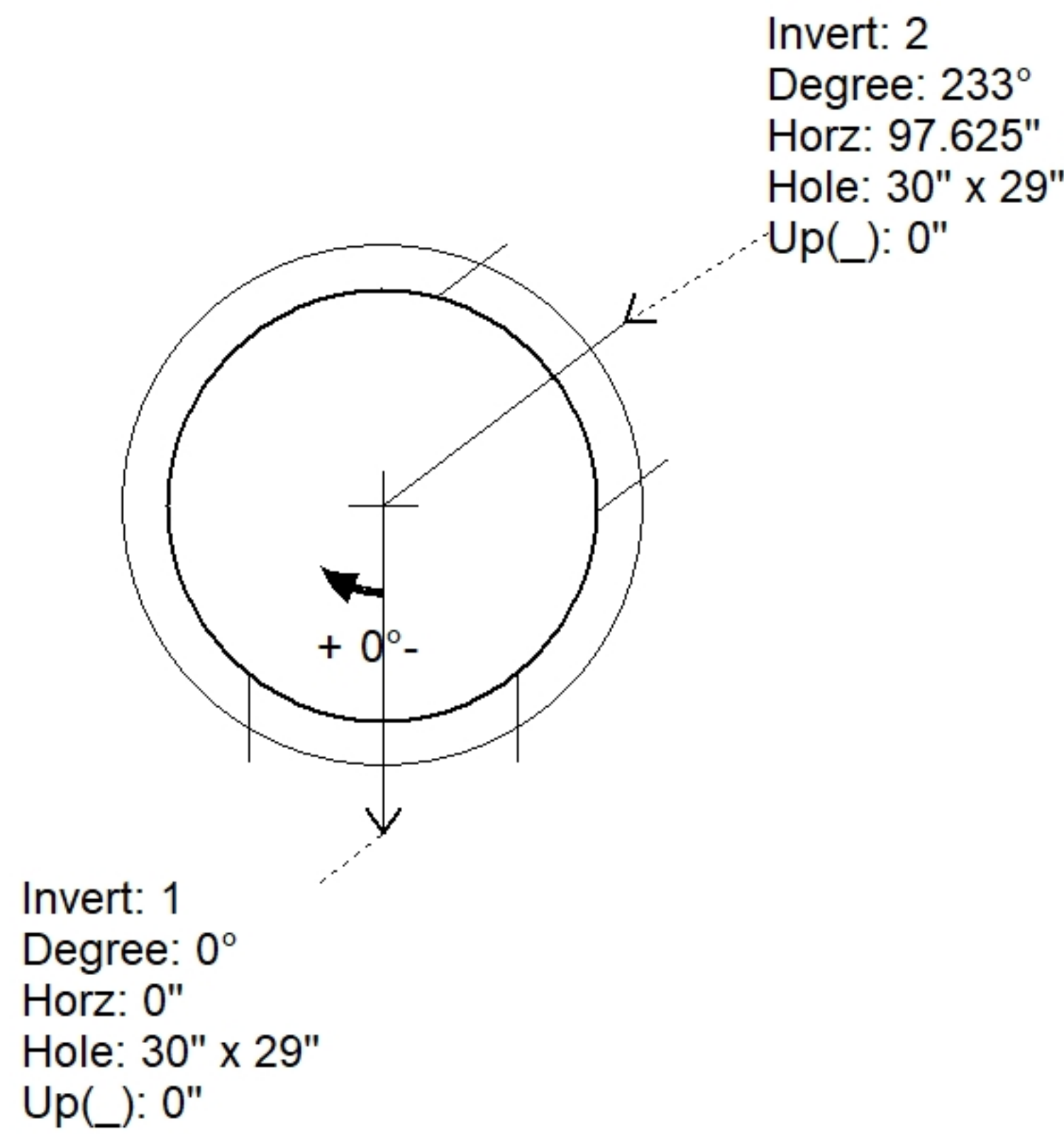
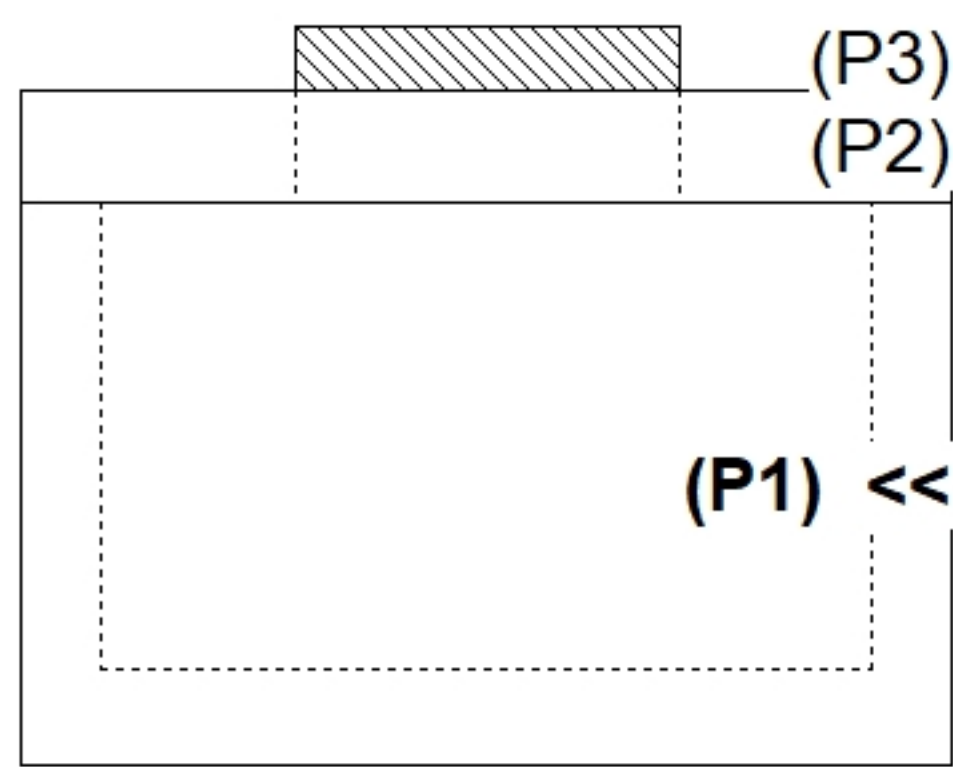
Structure Notes:
 PLAN LABEL: DBI-4 (DILLARD RD)
 1. PER ASTM C-478 SPECS
 2. CONCRETE: 4,000 PSI AT 28 DAYS
 3. REINFORCEMENT:
 - FLAT LID: #4 BAR @ 10" C.C. E.W. (GRADE 60)
 - BASE: PER ASTM A615
 4. NO STEPS
 5. KY 460 FRAME & GRATE SUPPLIED BY ICAST

Rim: 570.5' Rim to Invert: 3.18' Slack: 0.16" Sump: 2" Step Position:

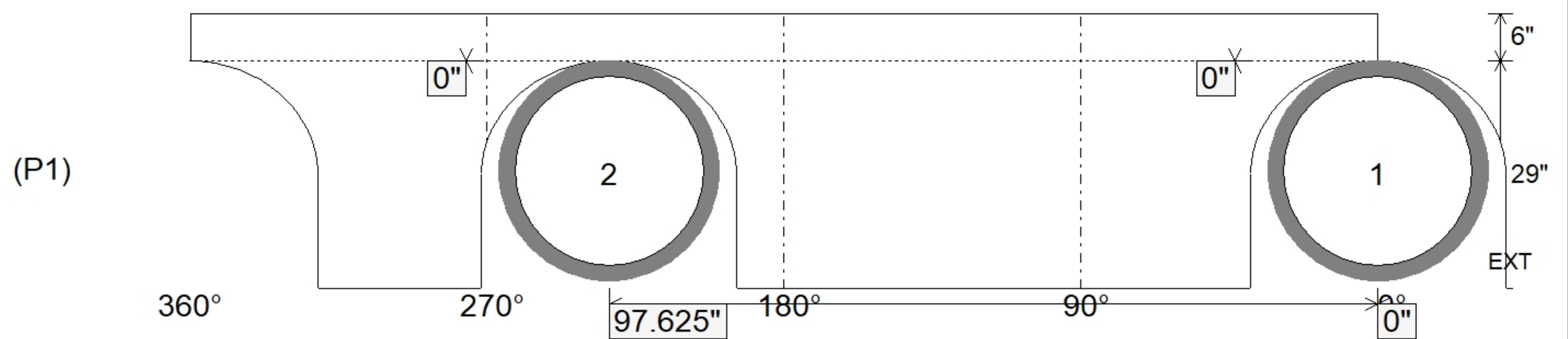
Position	Elev	Angle	Ext. (cw)	Pipe	Pipe OD	Connector	Hole	Horz Size	Up ()	Offset
Invert 1	567.32'	0°	0"	24" ADS N-12	28"	DOGHOUSE INVRTD 30"x29"	30" x 29"	32.406"	0"	0"
Invert 2	567.32'	233°	117.875"	24" ADS N-12	28"	DOGHOUSE INVRTD 30"x29"	30" x 29"	32.406"	0"	0"
Invert 3										
Invert 4										
Invert 5										
Invert 6										
Invert 7										
Invert 8										

RIGHT-SIDE UP VIEW (int. dimensions)

UPSIDE-DOWN VIEW (int. dimensions)



INSIDE WALL DIMENSIONS



Coating (Int): Coating (Ext):	Seam Up: Flat Seam Dn: n/a	Wall Thickness: 5" Floor Height: 6"	Height (Int): 29" Height (Ext): 35"	Weight (Net): 2662 lb Volume (Net): 0.68cu.yd
----------------------------------	-------------------------------	--	--	--