

Structure ID: DBI3

P1 BX24300808VF

BOX BASE 8inW, 8inF, Variable Ht F/n

- P2) 24" x 30" - CASTING HEIGHT - 4"
- P1) 24" x 30" - BOX BASE 8inW, 8inF, Variable Ht F/n - 45"
- 1) CASTING - HOE KY-460-11 F/G (DBI 11)
- 1) 24" x 30" - Conseal CS-102 1.00"
- 2) Hole - 24"

0 lb
 5009 lb
 421 lb
 0 lb
 0 lb

 Structure Total: 5430 lb

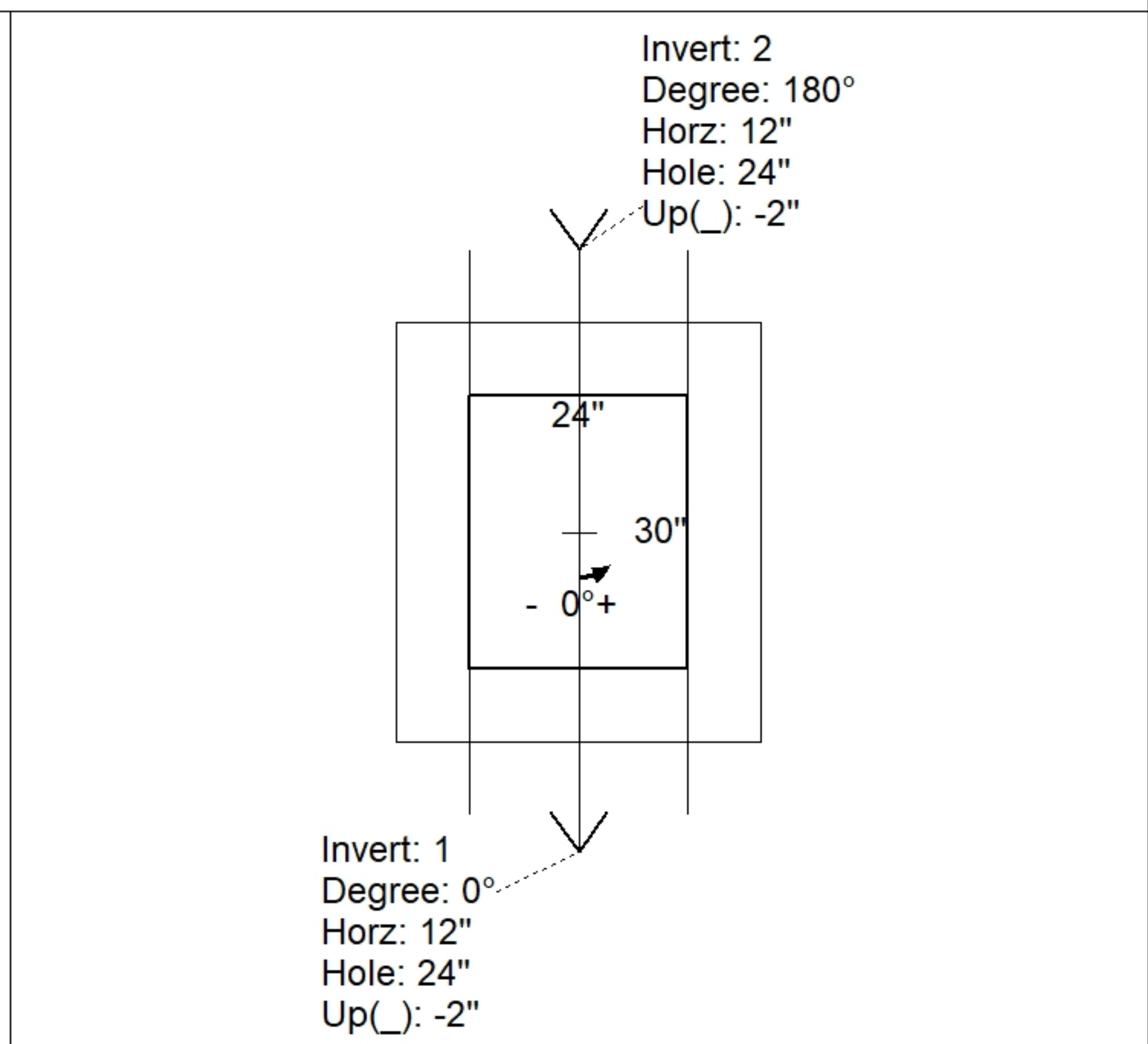
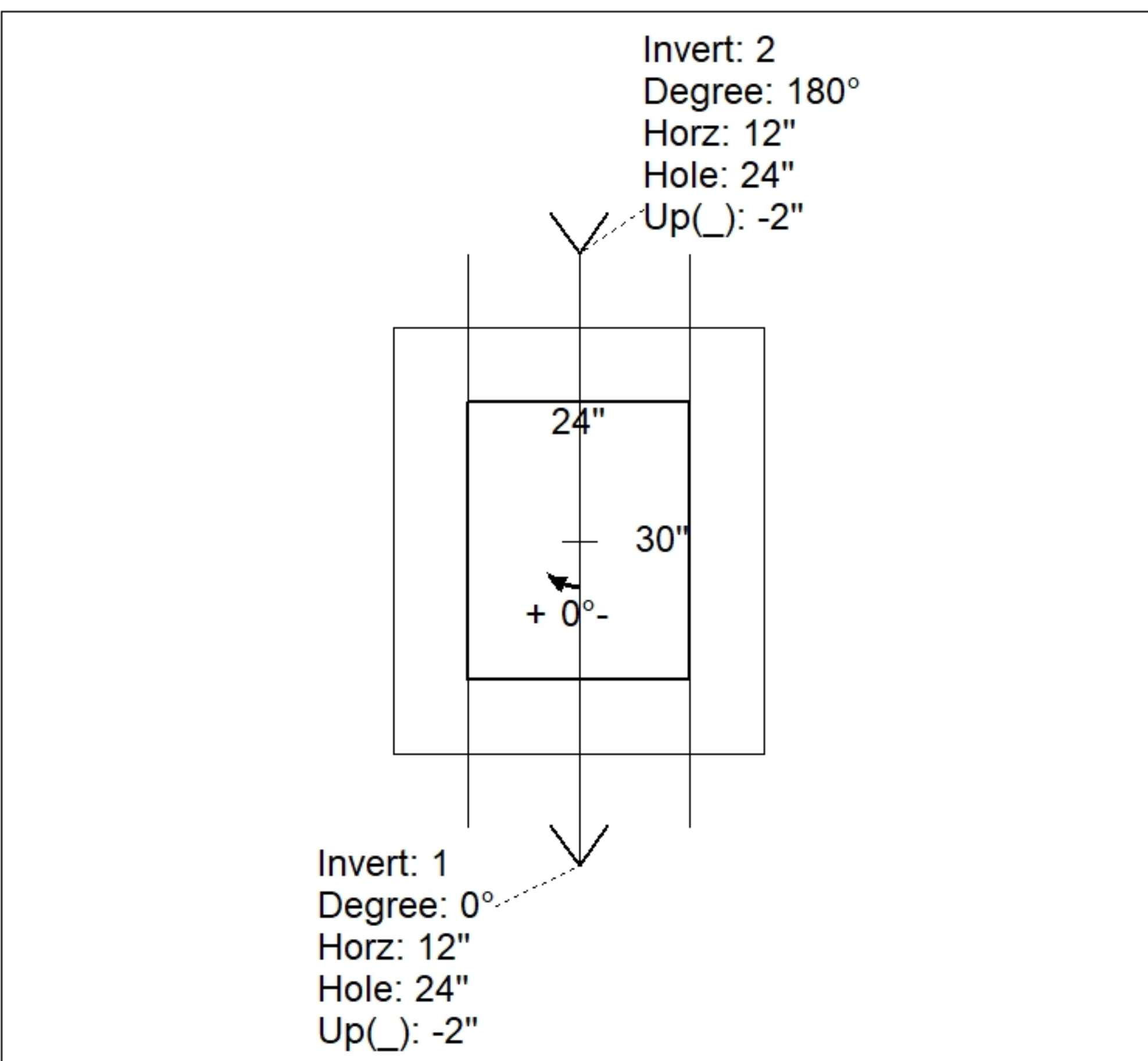
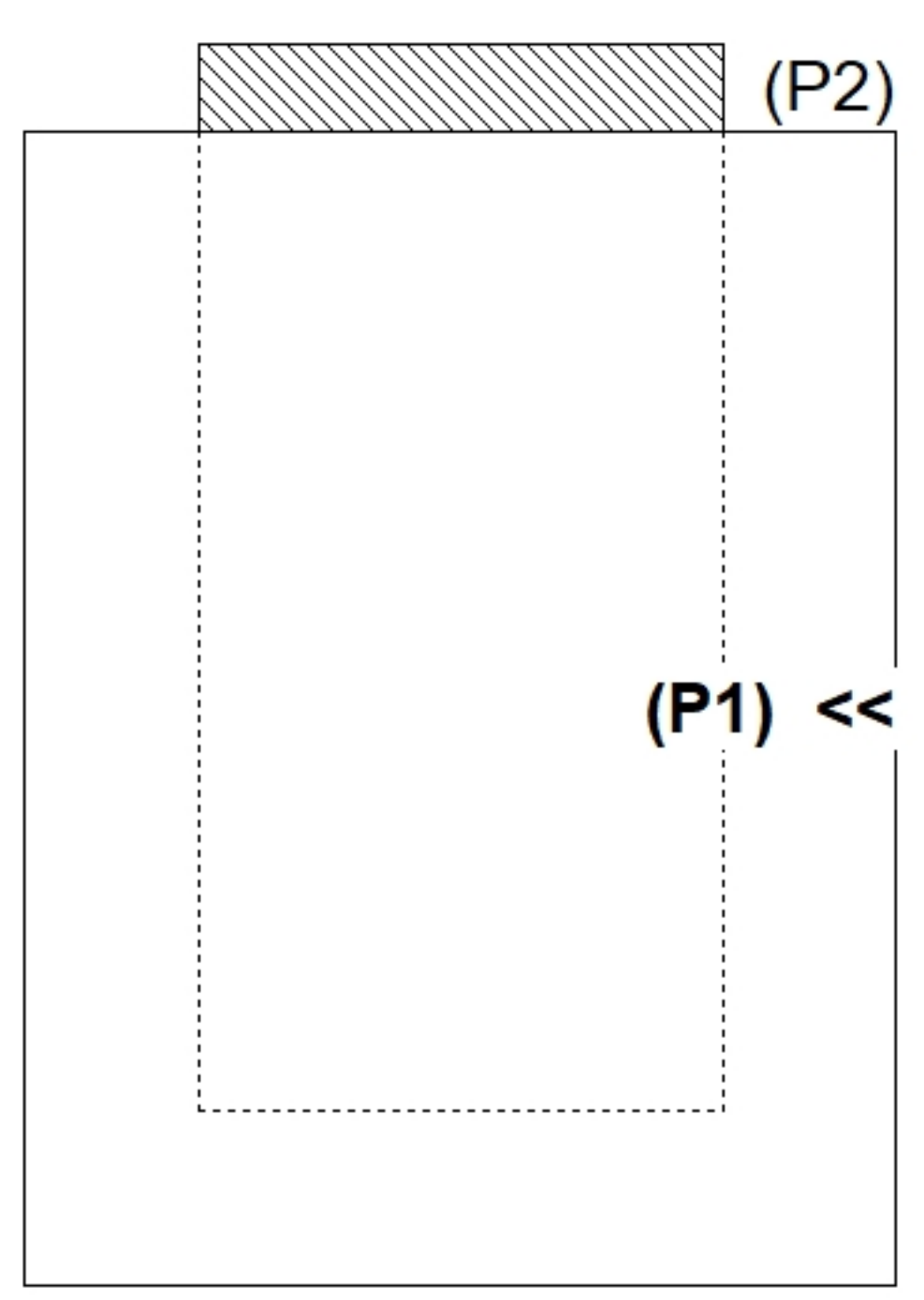
Structure Notes:
 PLAN LABEL: DBI 3
 1. PER ASTM C-913 SPECS
 2. CONCRETE: 4,000 PSI AT 28 DAYS
 3. REINFORCEMENT: #5 BAR @ 12" C.C. E.W. (GRADE 60)
 4. KY 460 FRAME & GRATE SUPPLIED BY ICAST

Rim: 576.05' Rim to Invert: 4.12' Slack: 0.44" Sump: 0" Step Position:

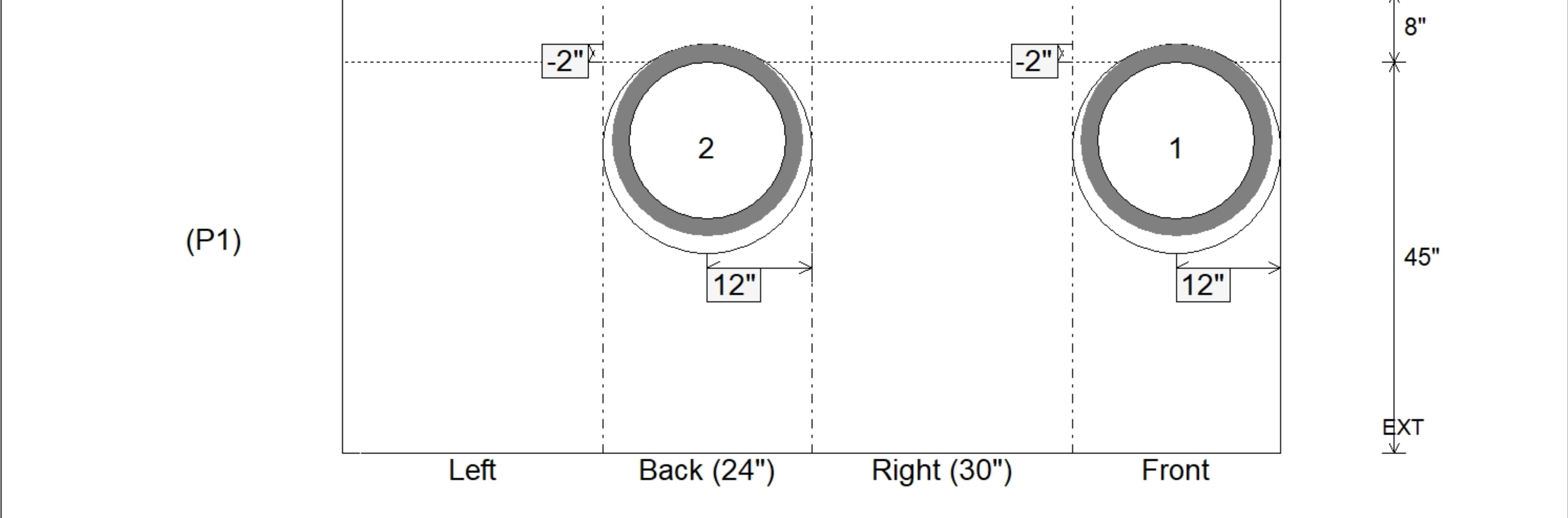
Position	Elev	Angle	Ext. (cw)	Pipe	Pipe OD	Connector	Hole	Horz Size	Up ()	Offset
Invert 1	571.93'	0°	20"	18" ADS N-12	22"	Hole 24	24"	24"	-2"	0"
Invert 2	571.93'	180°	20"	18" ADS N-12	22"	Hole 24	24"	24"	-2"	0"
Invert 3										
Invert 4										
Invert 5										
Invert 6										
Invert 7										
Invert 8										

RIGHT-SIDE UP VIEW (int. dimensions)

UPSIDE-DOWN VIEW (int. dimensions)



INSIDE WALL DIMENSIONS



Coating (Int):	Seam Up: Flat	Wall Thickness: 8"	Height (Int): 45"
Coating (Ext):	Seam Dn: n/a	Floor Height: 8"	Height (Ext): 53"
		Weight (Net): 5009 lb	
		Volume (Net): 1.28cu.yd	