

Job Name: 25-3170 - Publix BG
Job Location: Bowling Green, KY
Contractor: Scotty's Contracting & Stone, LLC

PC: C. Goff
 TECH: K. Cardwell
 Plant: Beaver Dam, KY

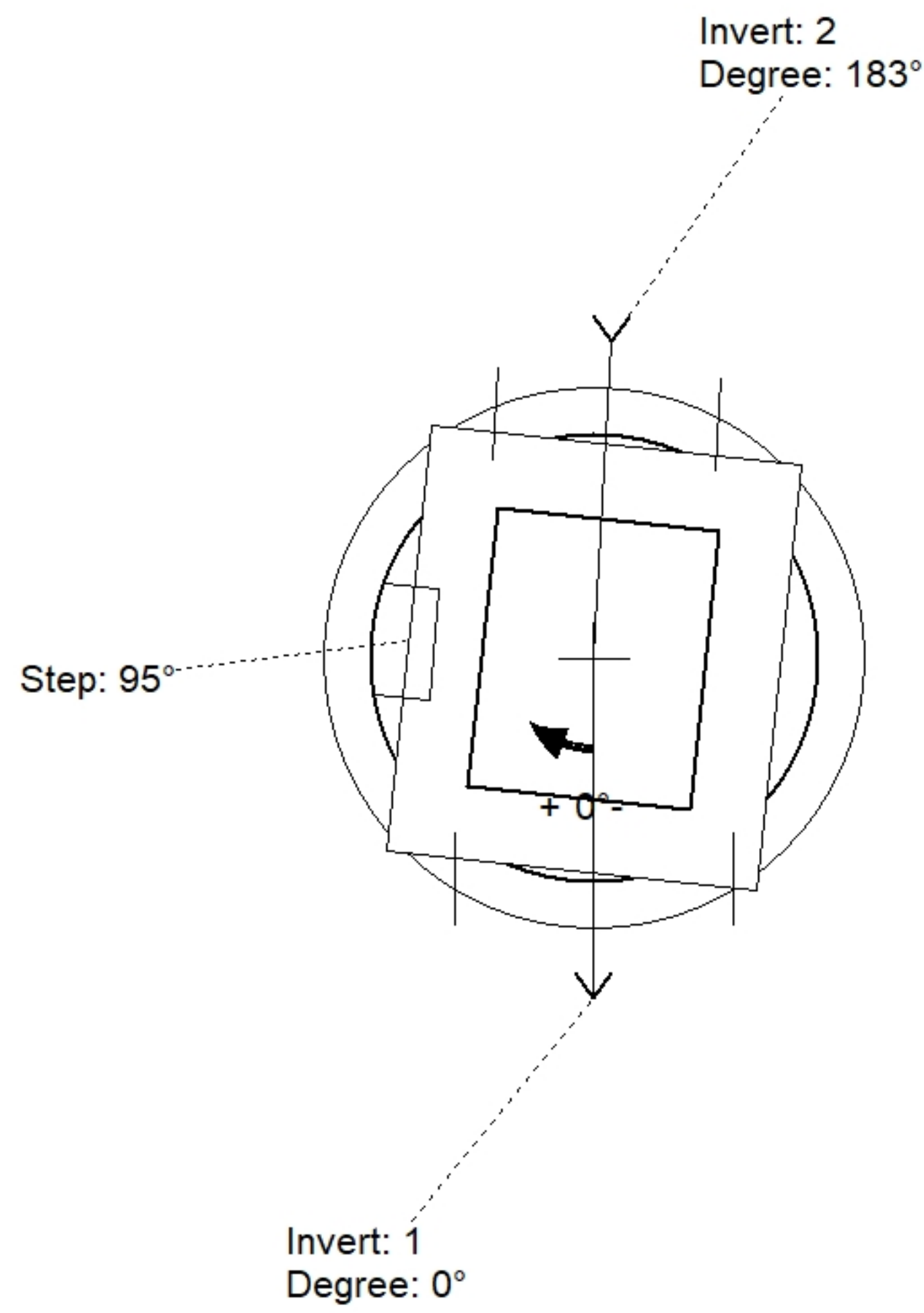


Structure ID: DBI3 (DILLARD RD)
 Spec: Storm Rim: 572.59' Sump: 2" Floor (Bot): 566.833'
 Type: STM.MH Invert: 567.5' Floor (Top): 567.333' Overall Height: 5.583'
 Size: 48" Rim to Invert: 5.09' Floor Height: 6" Slack: 2.08"

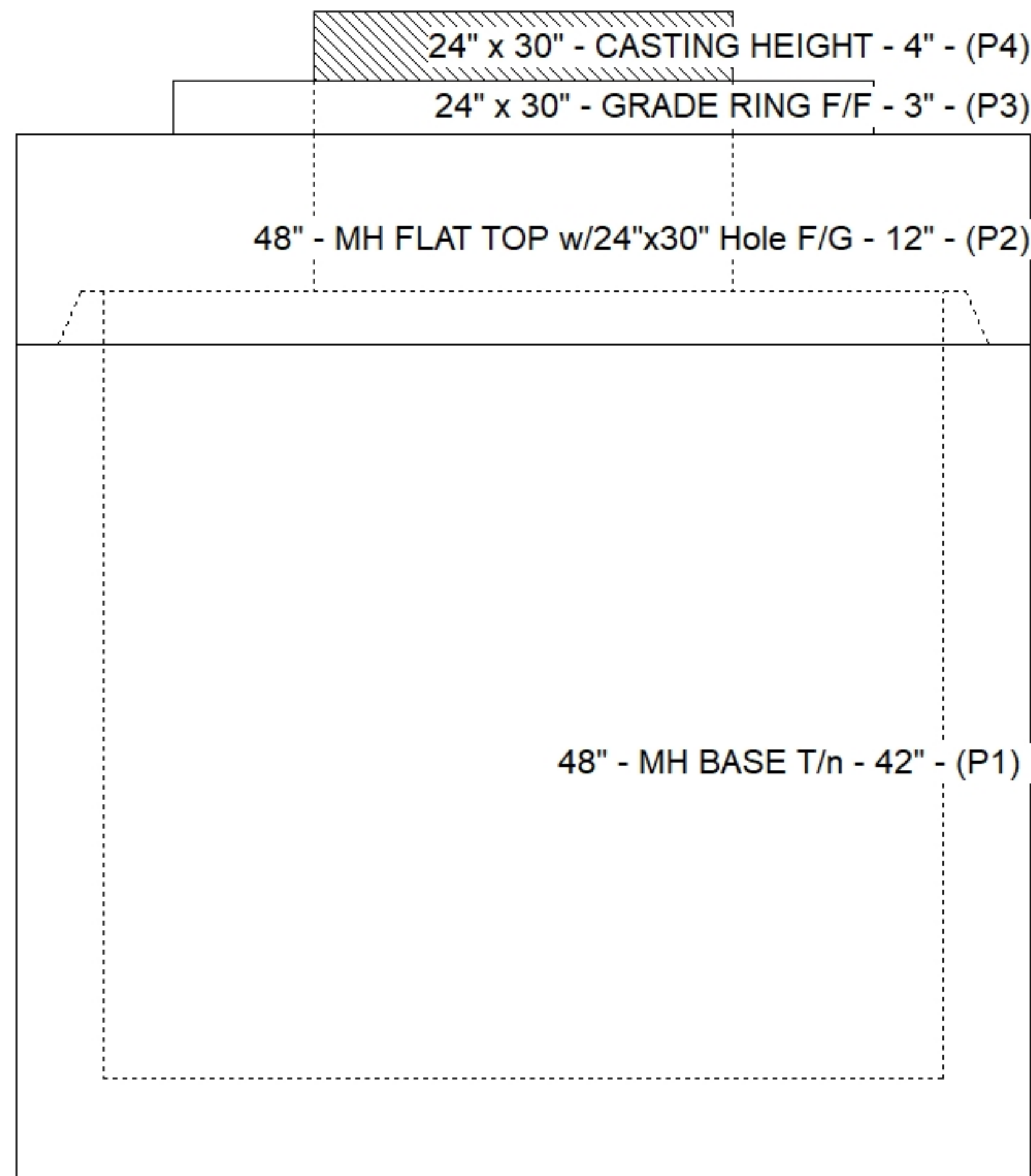
- Structure Notes:**
 PLAN LABEL: DBI-3 (DILLARD RD)
 1. PER ASTM C-478 SPECS
 2. CONCRETE: 4,000 PSI AT 28 DAYS
 3. REINFORCEMENT:
 - FLAT LID: #4 BAR @ 10" C.C. E.W. (GRADE 60)
 - BASE: PER ASTM A615
 4. STEPS AT 95 DEGREES
 5. KY 460 FRAME & GRATE SUPPLIED BY ICAST

STRUCTURE SUMMARY:

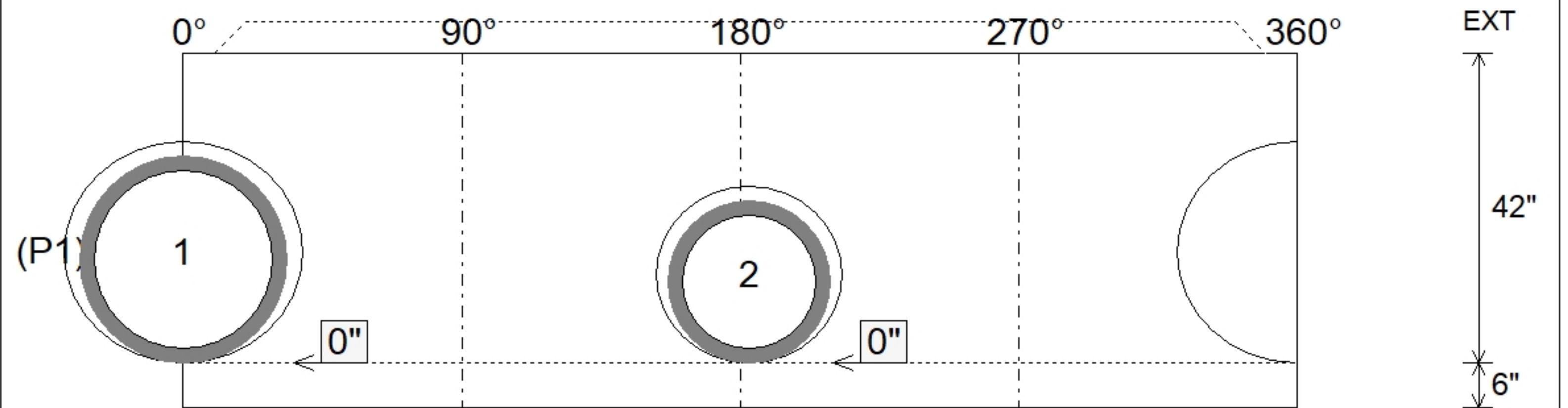
P4) 24" x 30" - CASTING HEIGHT - 4"	0 lb
P3) 24" x 30" - GRADE RING F/F - 3"	282 lb
P2) 48" - MH FLAT TOP w/24"x30" Hole F/G - 12"	1935 lb
P1) 48" - MH BASE T/n - 42"	3751 lb
1) CASTING - HOE KY-460-11 F/G (DBI 11)	421 lb
1) 48" - Conseal CS-102 1.00"	0 lb
2) 24" x 30" - Conseal CS-102 1.00"	0 lb
1) Hole - 30	0 lb
1) Hole - 24	0 lb
3) MH Step ML-10-TDS-NCR - 10"	0 lb
Structure Total:	6389 lb



Position	Elev	Angle	Pipe	Pipe OD	Hole	Connector	Up (")	Ref
Rim	572.59'							
Reducer								
Invert 1	567.5'	0°	24" ADS N-12	28"	30"	Hole 30	0"	P1
Invert 2	567.5'	183°	18" ADS N-12	22"	24"	Hole 24	0"	P1
Invert 3								
Invert 4								
Invert 5								
Invert 6								
Invert 7								
Invert 8								



Cast (Int. Dim.) - Interior Dimensions



Submittal Drawing
 10/23/2025 7:20:22 AM

SUBMITTAL
 APPROVED BY: