

Structure ID: DBI3 (DILLARD RD)

P1 MH048BA42 MH BASE T/n

P4) 24" x 30" - CASTING HEIGHT - 4" P3) 24" x 30" - GRADE RING F/F - 3" P2) 48" - MH FLAT TOP w/24"x30" Hole F/G - 12" P1) 48" - MH BASE T/n - 42" 1) CASTING - HOE KY-460-11 F/G (DBI 11) 1) 48" - Conseal CS-102 1.00" 2) 24" x 30" - Conseal CS-102 1.00" 1) Hole - 30 1) Hole - 24 3) MH Step ML-10-TDS-NCR - 10"	0 lb 282 lb 1935 lb 3751 lb 421 lb 0 lb 0 lb 0 lb 0 lb 0 lb 0 lb ----- Structure Total: 6389 lb
--------------------------------------------------------------------------------------------------------------------------------------------------------------------------------------------------------------------------------------------------------------------------------------------------------------------------------------------------	-------------------------------------------------------------------------------------------------------------------------------------

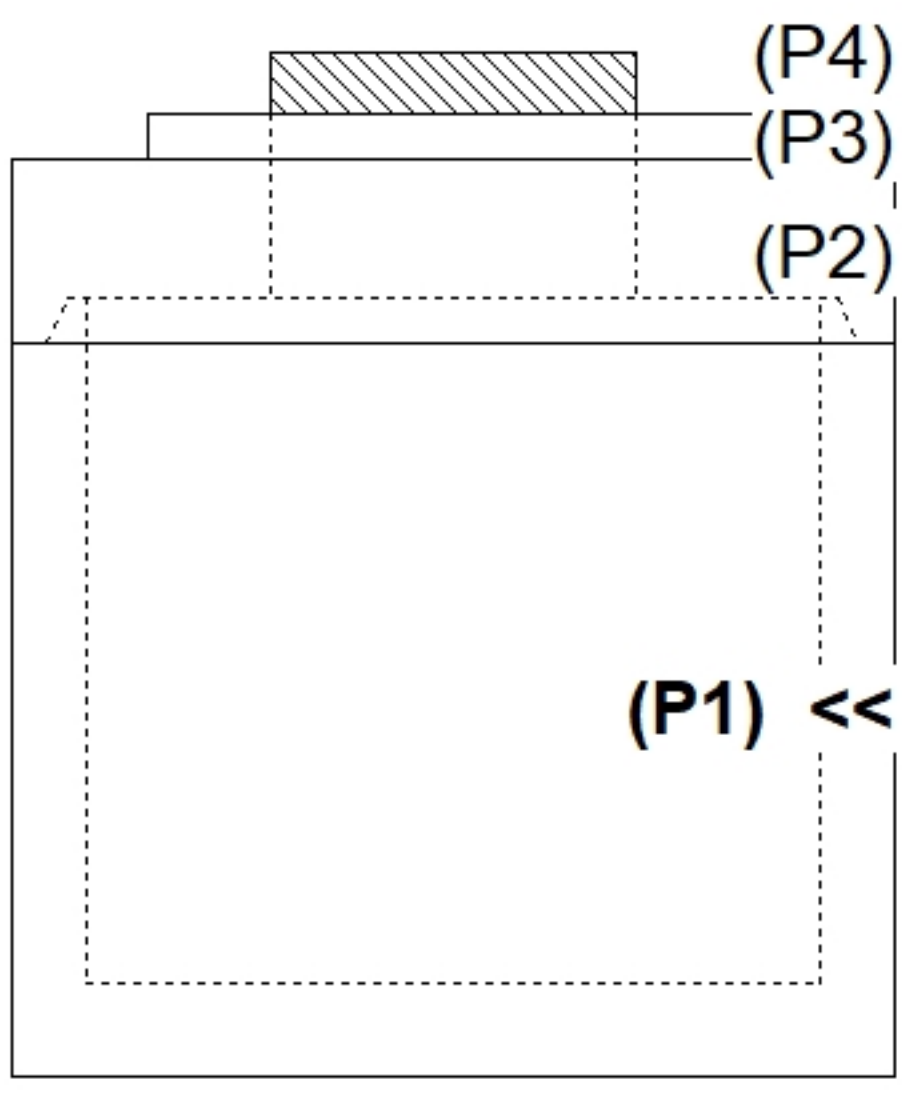
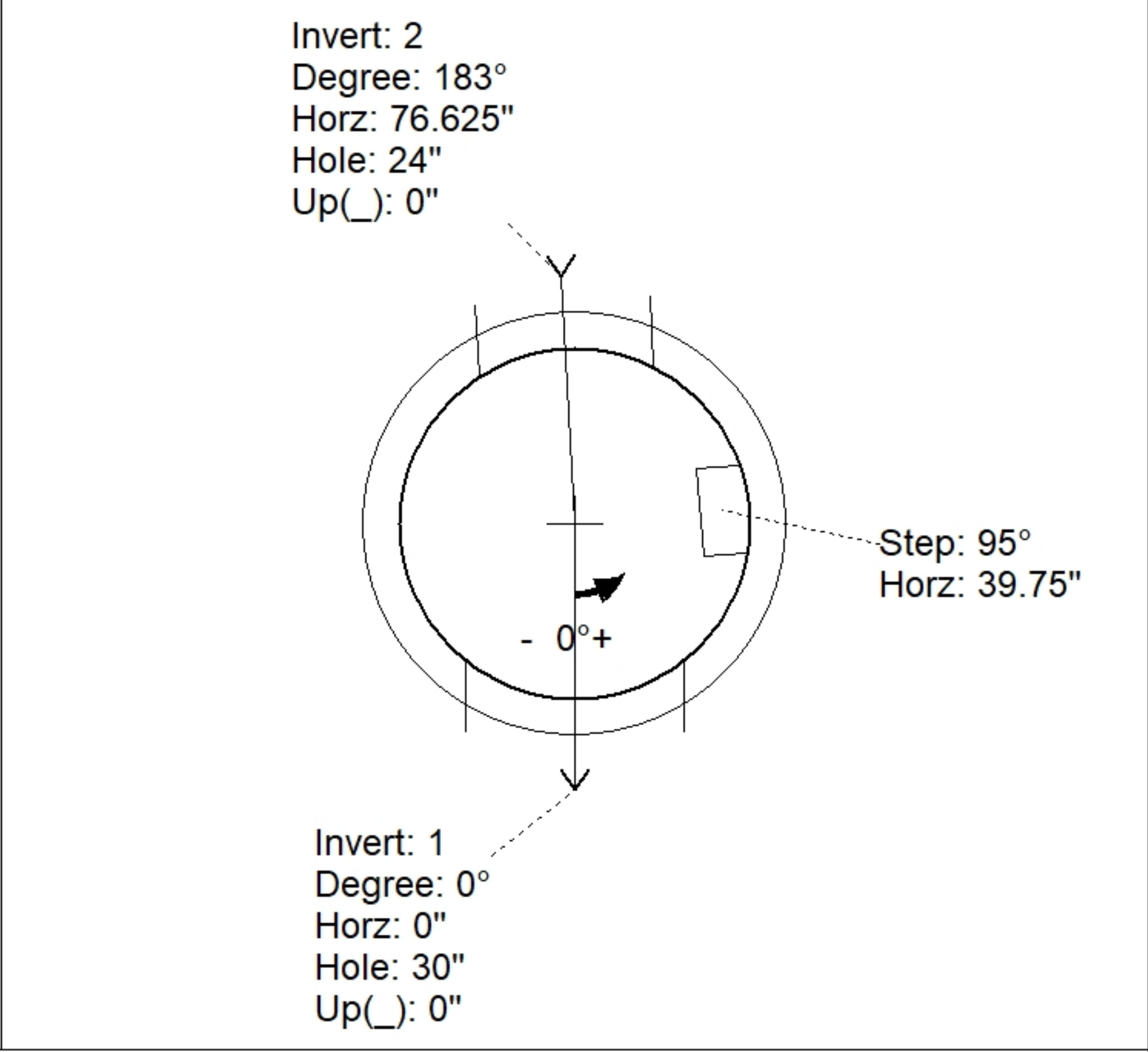
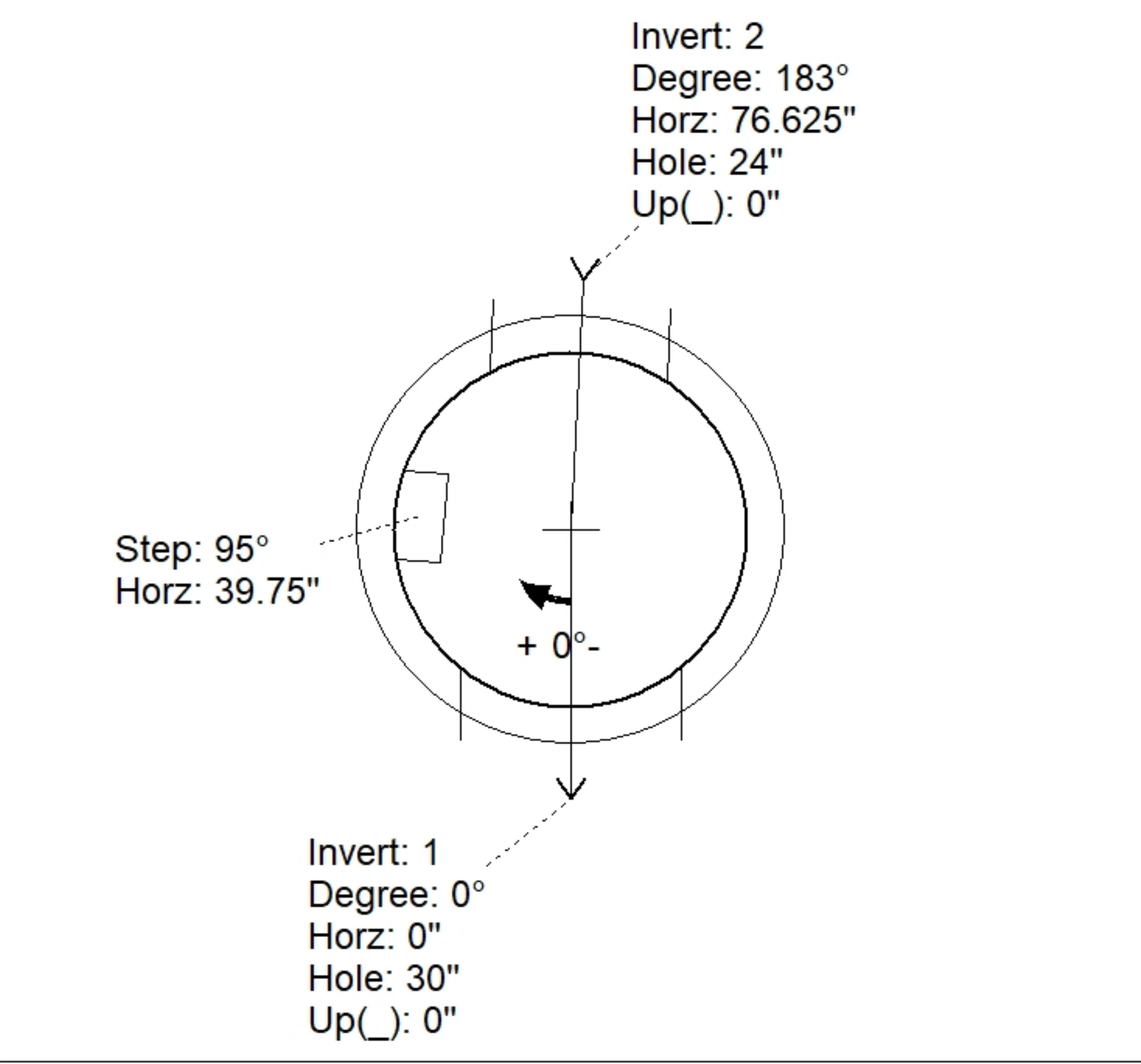
Structure Notes:
 PLAN LABEL: DBI-3 (DILLARD RD)
 1. PER ASTM C-478 SPECS
 2. CONCRETE: 4,000 PSI AT 28 DAYS
 3. REINFORCEMENT:
 - FLAT LID: #4 BAR @ 10" C.C. E.W. (GRADE 60)
 - BASE: PER ASTM A615
 4. STEPS AT 95 DEGREES
 5. KY 460 FRAME & GRATE SUPPLIED BY ICAST

Rim: 572.59' Rim to Invert: 5.09' Slack: 2.08" Sump: 2" Step Position: 95

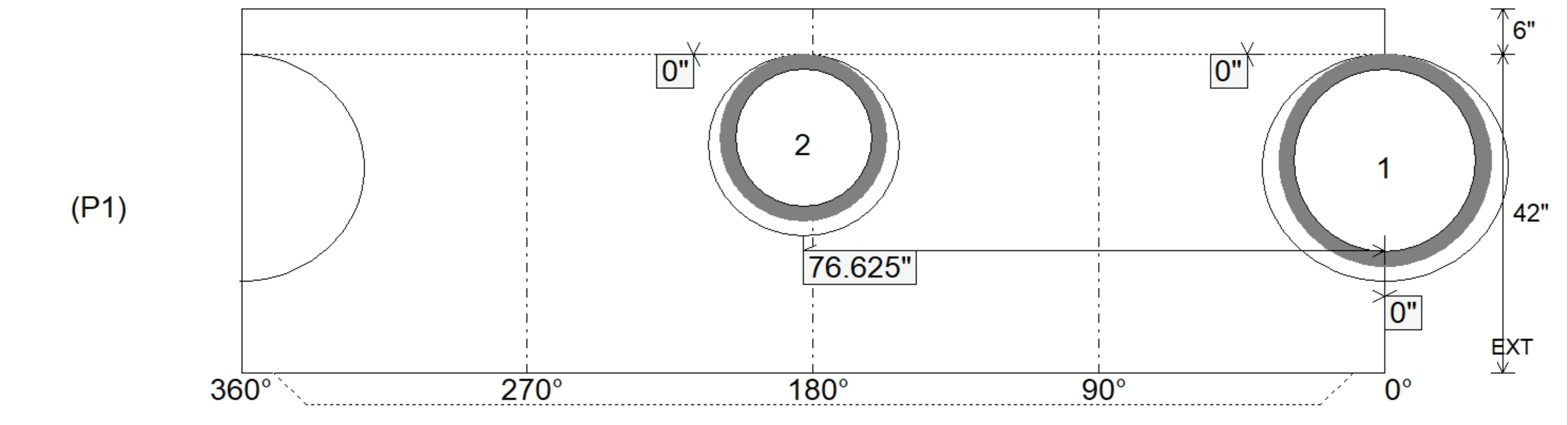
Position	Elev	Angle	Ext. (cw)	Pipe	Pipe OD	Connector	Hole	Horz Size	Up ()	Offset
Invert 1	567.5'	0°	0"	24" ADS N-12	28"	Hole 30	30"	32.406"	0"	0"
Invert 2	567.5'	183°	92.625"	18" ADS N-12	22"	Hole 24	24"	25.133"	0"	0"
Invert 3										
Invert 4										
Invert 5										
Invert 6										
Invert 7										
Invert 8										

RIGHT-SIDE UP VIEW (int. dimensions)

UPSIDE-DOWN VIEW (int. dimensions)



INSIDE WALL DIMENSIONS



Coating (Int): Coating (Ext):	Seam Up: Tongue Seam Dn: n/a	Wall Thickness: 5" Floor Height: 6"	Height (Int): 42" Height (Ext): 48"	Weight (Net): 3751 lb Volume (Net): 0.96cu.yd
----------------------------------	---------------------------------	----------------------------------------	----------------------------------------	--------------------------------------------------