

Job Name: 25-3170 - Publix BG
 Job Location: Bowling Green, KY
 Contractor: Scotty's Contracting & Stone, LLC

Plant: Beaver Dam, KY
 10/9/2025 7:48:42 AM

Tech: K. Cardwell
 PC: C. Goff



Structure ID: DBI2

P2 MH048LD12-24X30RECT

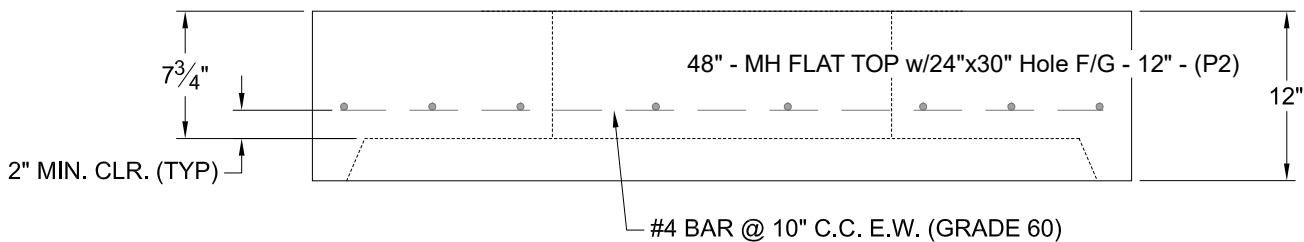
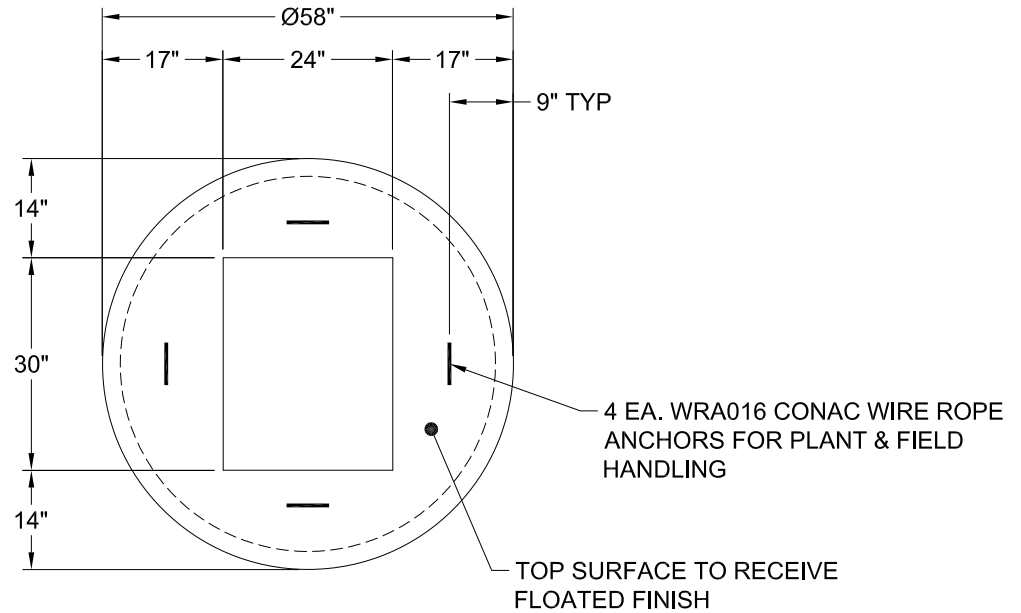
MH FLAT TOP w/24"x30" Hole F/G

- P4) 24" x 30" - CASTING HEIGHT - 4"
- P3) 24" x 30" - GRADE RING F/F - 3"
- P2) 48" - MH FLAT TOP w/24"x30" Hole F/G - 12"
- P1) 48" - MH BASE T/n - 36"
- 1) CASTING - HOE KY-460-11 F/G (DBI 11)
- 1) 48" - Conseal CS-102 1.00"
- 2) 24" x 30" - Conseal CS-102 1.00"
- 2) Hole - 24
- 3) MH Step ML-10-TDS-NCR - 10"

| | |
|------------------|---------|
| | 0 lb |
| | 282 lb |
| | 1935 lb |
| | 3546 lb |
| | 421 lb |
| | 0 lb |
| | 0 lb |
| | 0 lb |
| | 0 lb |
| | 0 lb |
| Structure Total: | 6184 lb |

Structure Notes:
 PLAN LABEL: DBI 2

1. PER ASTM C-478 SPECS
2. CONCRETE: 4,000 PSI AT 28 DAYS
3. REINFORCEMENT: #4 BAR @ 10" C.C. E.W. (GRADE 60) - 2" MIN. REBAR CLEARANCE (TYP)
4. STEPS AT 90 DEGREES
5. KY 460 FRAME & GRATE SUPPLIED BY ICAST
6. LIFTERS: 4 EA. WRA016 CONAC WIRE ROPE ANCHORS FOR PLANT & FIELD HANDLING



Coating (Int):
 Coating (Ext):

Seam Up: Flat
 Seam Dn: Groove

Wall Thickness: 5"

Height (Ext): 12"

Weight (Net): 1935 lb
 Volume (Net): 0.49cu.yd