

Structure ID: DBI2

P1 MH048BA36 MH BASE T/n

P4) 24" x 30" - CASTING HEIGHT - 4" P3) 24" x 30" - GRADE RING F/F - 3" P2) 48" - MH FLAT TOP w/24"x30" Hole F/G - 12" P1) 48" - MH BASE T/n - 36" 1) CASTING - HOE KY-460-11 F/G (DBI 11) 1) 48" - Conseal CS-102 1.00" 2) 24" x 30" - Conseal CS-102 1.00" 2) Hole - 24" 3) MH Step ML-10-TDS-NCR - 10"	0 lb 282 lb 1935 lb 3546 lb 421 lb 0 lb 0 lb 0 lb 0 lb 0 lb 6184 lb	Structure Notes: PLAN LABEL: DBI 2 1. PER ASTM C-478 SPECS 2. CONCRETE: 4,000 PSI AT 28 DAYS 3. REINFORCEMENT: - FLAT LID: #4 BAR @ 10" C.C. E.W. (GRADE 60) - BASE: PER ASTM A615 4. STEPS AT 90 DEGREES 5. KY 460 FRAME & GRATE SUPPLIED BY ICAST
---	---	--

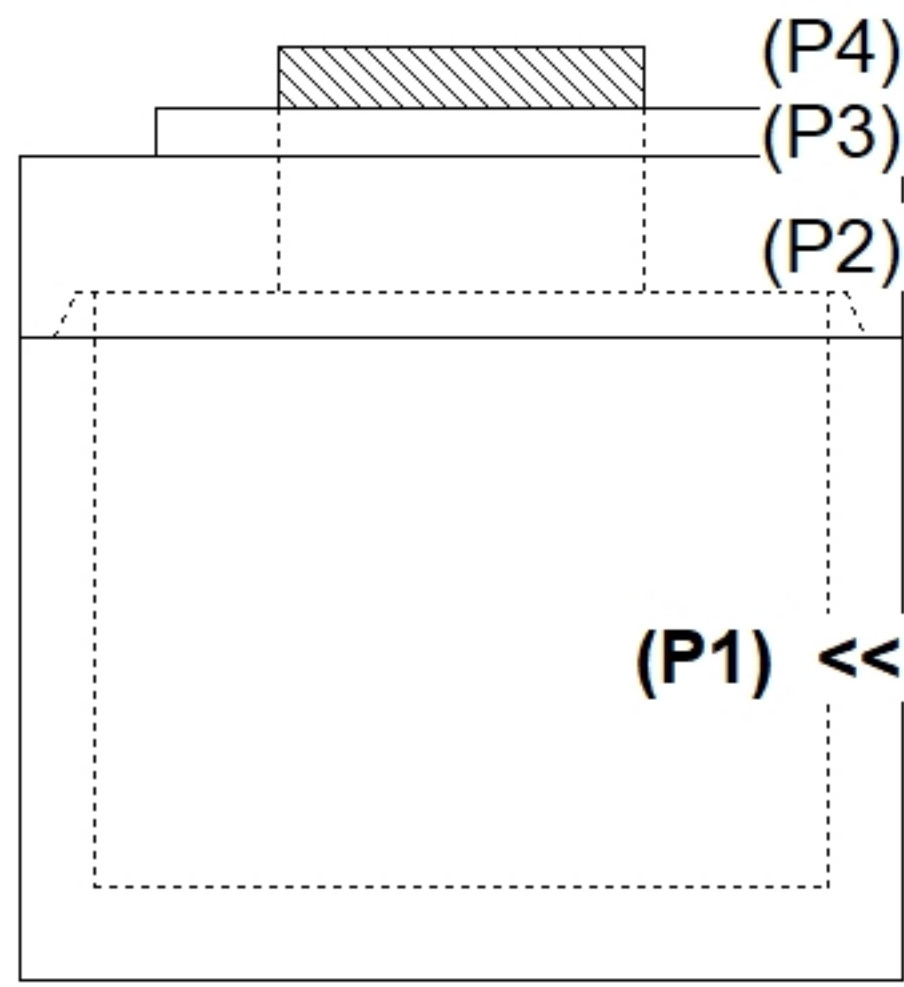
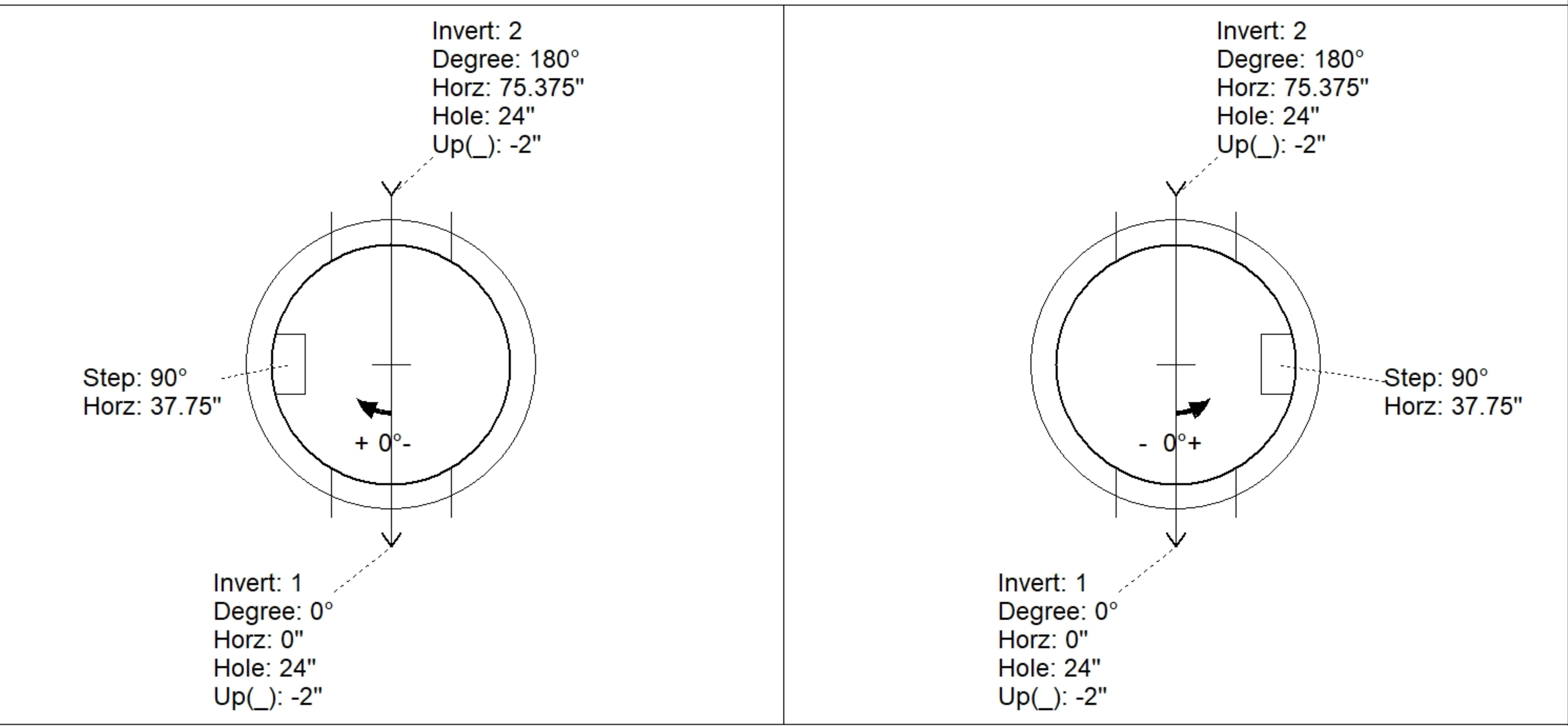
Structure Total: 6184 lb

Rim: 576.05' Rim to Invert: 4.59' Slack: 0.08" Sump: 0" Step Position: 90°

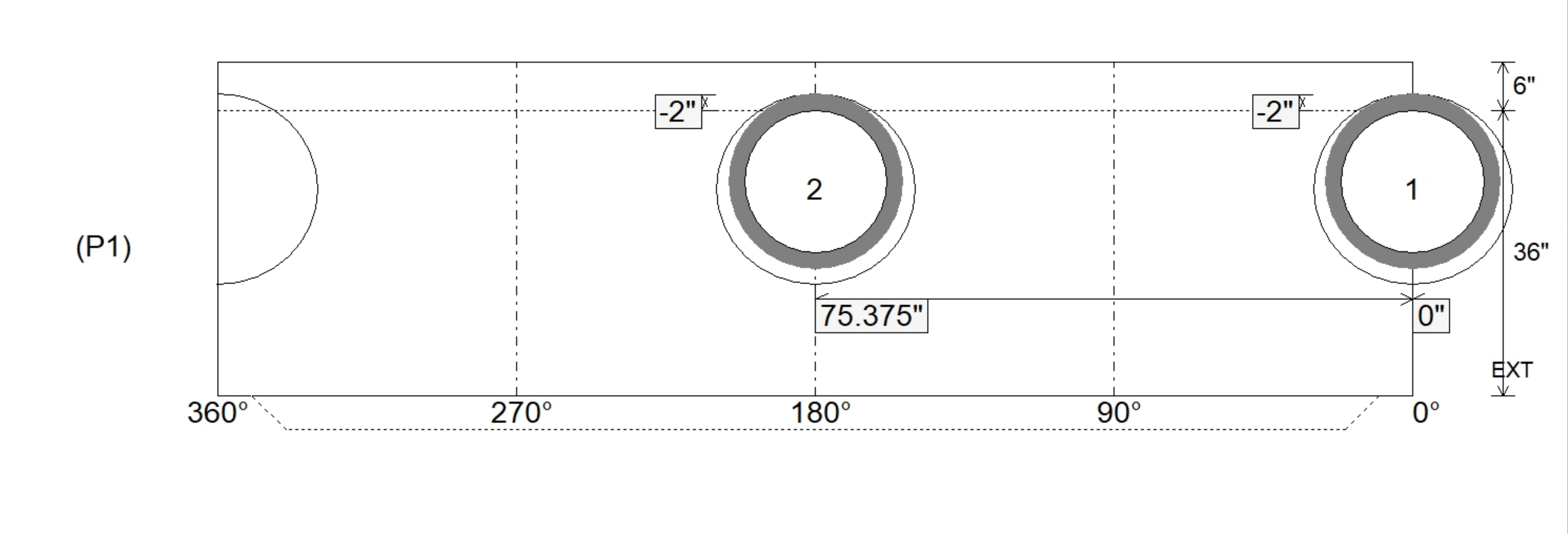
Position	Elev	Angle	Ext. (cw)	Pipe	Pipe OD	Connector	Hole	Horz Size	Up ()	Offset
Invert 1	571.46'	0°	0"	18" ADS N-12	22"	Hole 24	24"	25.133"	-2"	0"
Invert 2	571.46'	180°	91.125"	18" ADS N-12	22"	Hole 24	24"	25.133"	-2"	0"
Invert 3										
Invert 4										
Invert 5										
Invert 6										
Invert 7										
Invert 8										

RIGHT-SIDE UP VIEW (int. dimensions)

UPSIDE-DOWN VIEW (int. dimensions)



INSIDE WALL DIMENSIONS



Coating (Int): Coating (Ext):	Seam Up: Tongue Seam Dn: n/a	Wall Thickness: 5" Floor Height: 6"	Height (Int): 36" Height (Ext): 42"	Weight (Net): 3546 lb Volume (Net): 0.91cu.yd
----------------------------------	---------------------------------	--	--	--