

**Job Name: 25-3170 - Publix BG**  
**Job Location: Bowling Green, KY**  
**Contractor: Scotty's Contracting & Stone, LLC**

PC: C. Goff  
 TECH: K. Cardwell  
 Plant: Beaver Dam, KY



Structure ID: DBI2 (DILLARD RD)  
 Spec: Storm  
 Type: STM.MH (Recessed pipe)  
 Size: 48"

Rim: 573.8'  
 Invert: 568.83'  
 Rim to Invert: 4.97'

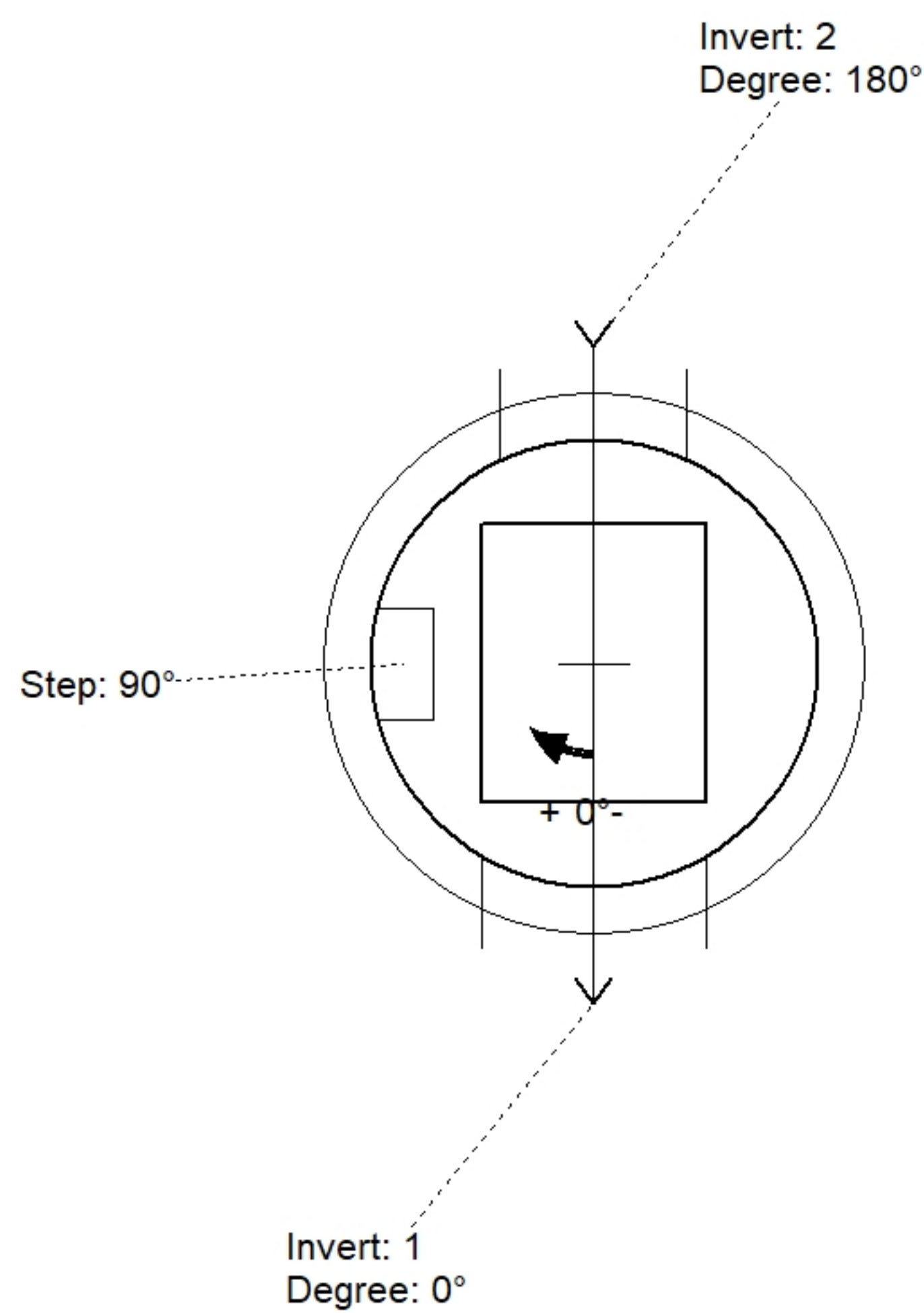
Sump: 0"  
 Floor (Top): 568.83'  
 Floor Height: 6"

Floor (Bot): 568.33'  
 Overall Height: 5.333'  
 Slack: 1.64"

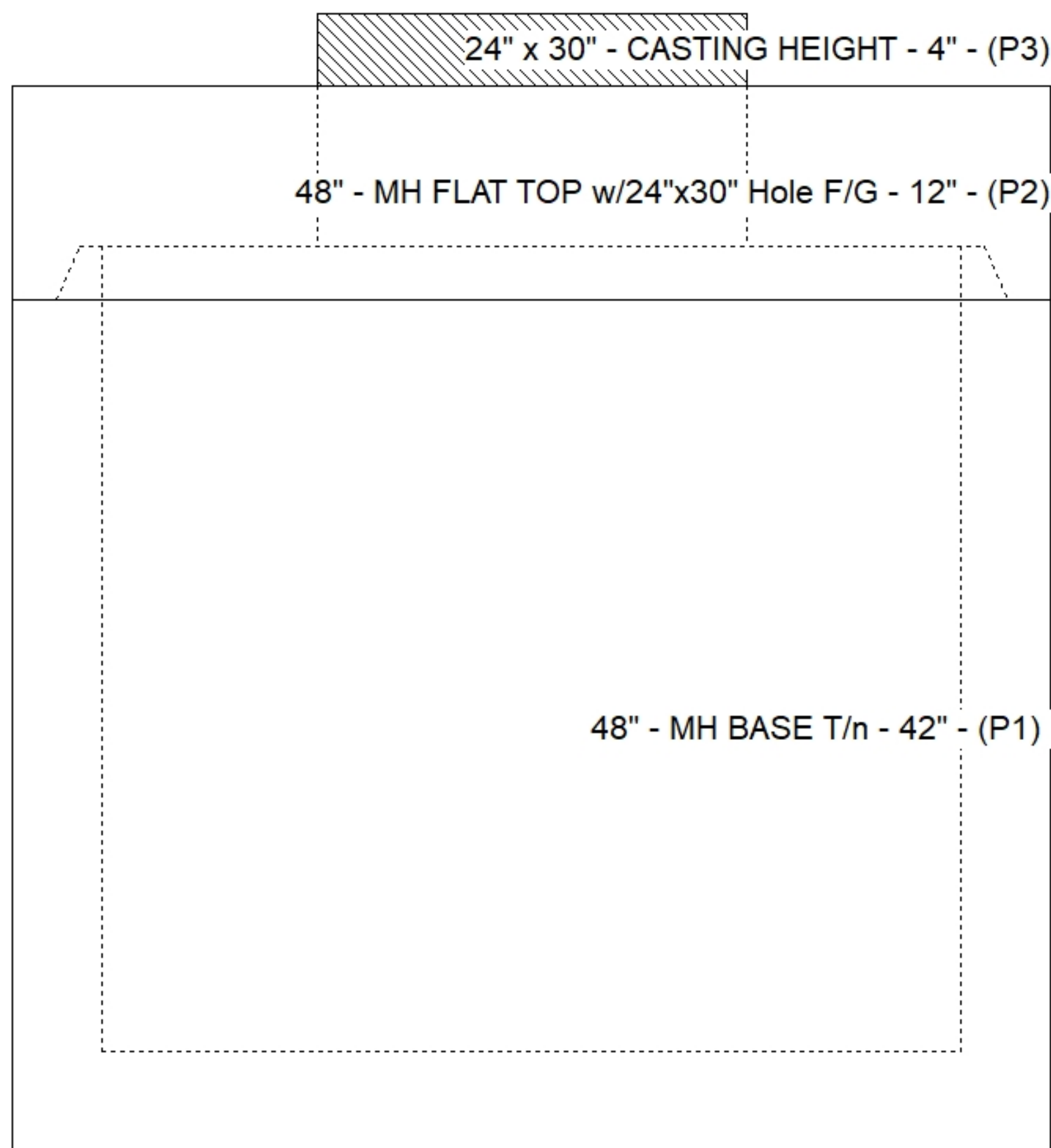
- Structure Notes:**  
 PLAN LABEL: DBI-2 (DILLARD RD)  
 1. PER ASTM C-478 SPECS  
 2. CONCRETE: 4,000 PSI AT 28 DAYS  
 3. REINFORCEMENT:  
 - FLAT LID: #4 BAR @ 10" C.C. E.W. (GRADE 60)  
 - BASE: PER ASTM A615  
 4. STEPS AT 90 DEGREES  
 5. KY 460 FRAME & GRATE SUPPLIED BY ICAST

**STRUCTURE SUMMARY:**

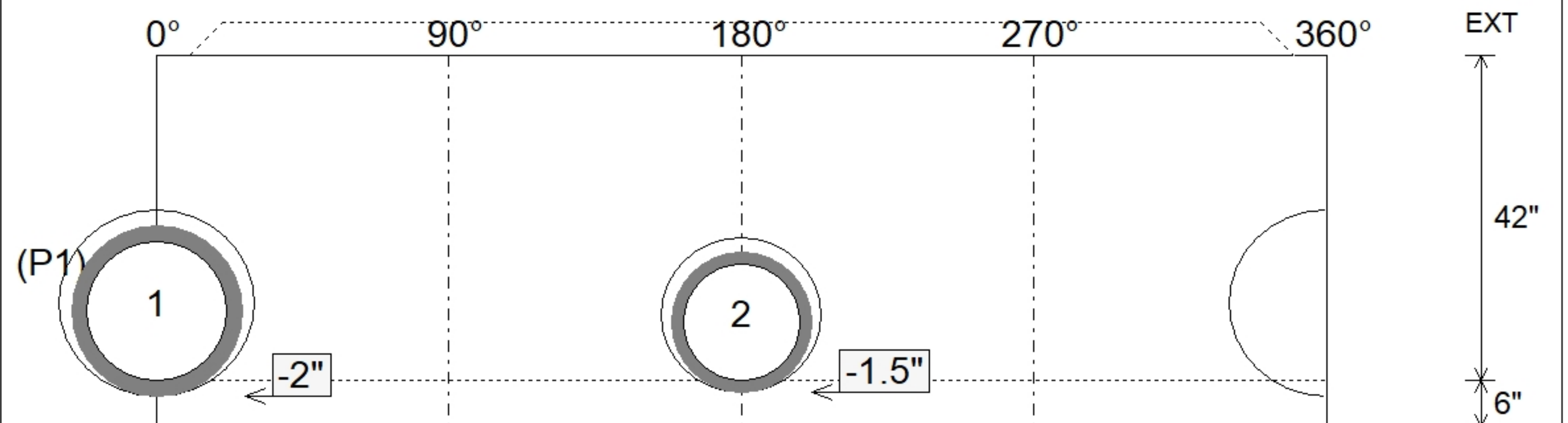
P3) 24" x 30" - CASTING HEIGHT - 4"	0 lb
P2) 48" - MH FLAT TOP w/24"x30" Hole F/G - 12"	1935 lb
P1) 48" - MH BASE T/n - 42"	3979 lb
1) CASTING - HOE KY-460-11 F/G (DBI 11)	421 lb
1) 48" - Conseal CS-102 1.00"	0 lb
1) 24" x 30" - Conseal CS-102 1.00"	0 lb
1) Hole - 24	0 lb
1) Hole - 20	0 lb
4) MH Step ML-10-TDS-NCR - 10"	0 lb
<b>Structure Total:</b>	<b>6336 lb</b>



Position	Elev	Angle	Pipe	Pipe OD	Hole	Connector	Up (")	Ref
Rim	573.8'							
Reducer								
Invert 1	568.83'	0°	18" ADS N-12	22"	24"	Hole 24	-2"	P1
Invert 2	568.83'	180°	15" ADS N-12	18"	20"	Hole 20	-1.5"	P1
Invert 3								
Invert 4								
Invert 5								
Invert 6								
Invert 7								
Invert 8								



**Cast (Int. Dim.) - Interior Dimensions**



Submittal Drawing  
 10/23/2025 7:20:22 AM

SUBMITTAL  
 APPROVED BY: