

**Job Name: 25-3170 - Publix BG**  
**Job Location: Bowling Green, KY**  
**Contractor: Scotty's Contracting & Stone, LLC**

PC: C. Goff  
 TECH: K. Cardwell  
 Plant: Beaver Dam, KY



Structure ID: DBI10  
 Spec: Storm  
 Type: STM.MH  
 Size: 48"

Rim: 583.67'  
 Invert: 573.8'  
 Rim to Invert: 9.87'

Sump: 2"  
 Floor (Top): 573.633'  
 Floor Height: 6"

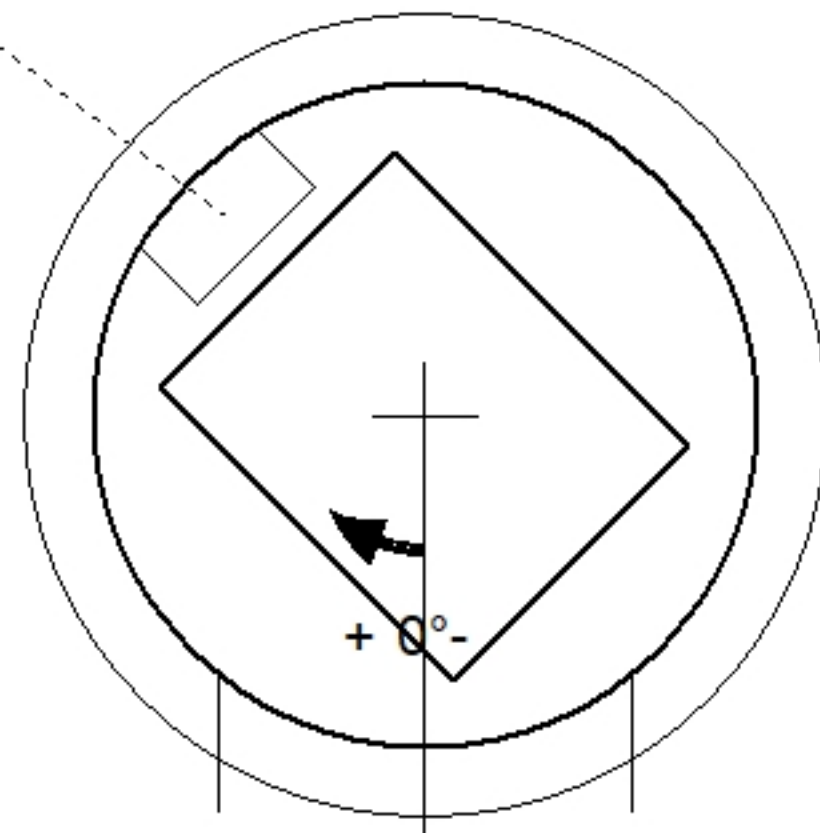
Floor (Bot): 573.133'  
 Overall Height: 10.333'  
 Slack: 2.44"

**Structure Notes:**  
 PLAN LABEL: DBI 10  
 1. PER ASTM C-478 SPECS  
 2. CONCRETE: 4,000 PSI AT 28 DAYS  
 3. REINFORCEMENT:  
 - FLAT LID: #4 BAR @ 10" C.C. E.W. (GRADE 60)  
 - BASE & RISER: PER ASTM A615  
 4. STEPS AT 135 DEGREES  
 5. KY 460 FRAME & GRATE SUPPLIED BY ICAST

**STRUCTURE SUMMARY:**

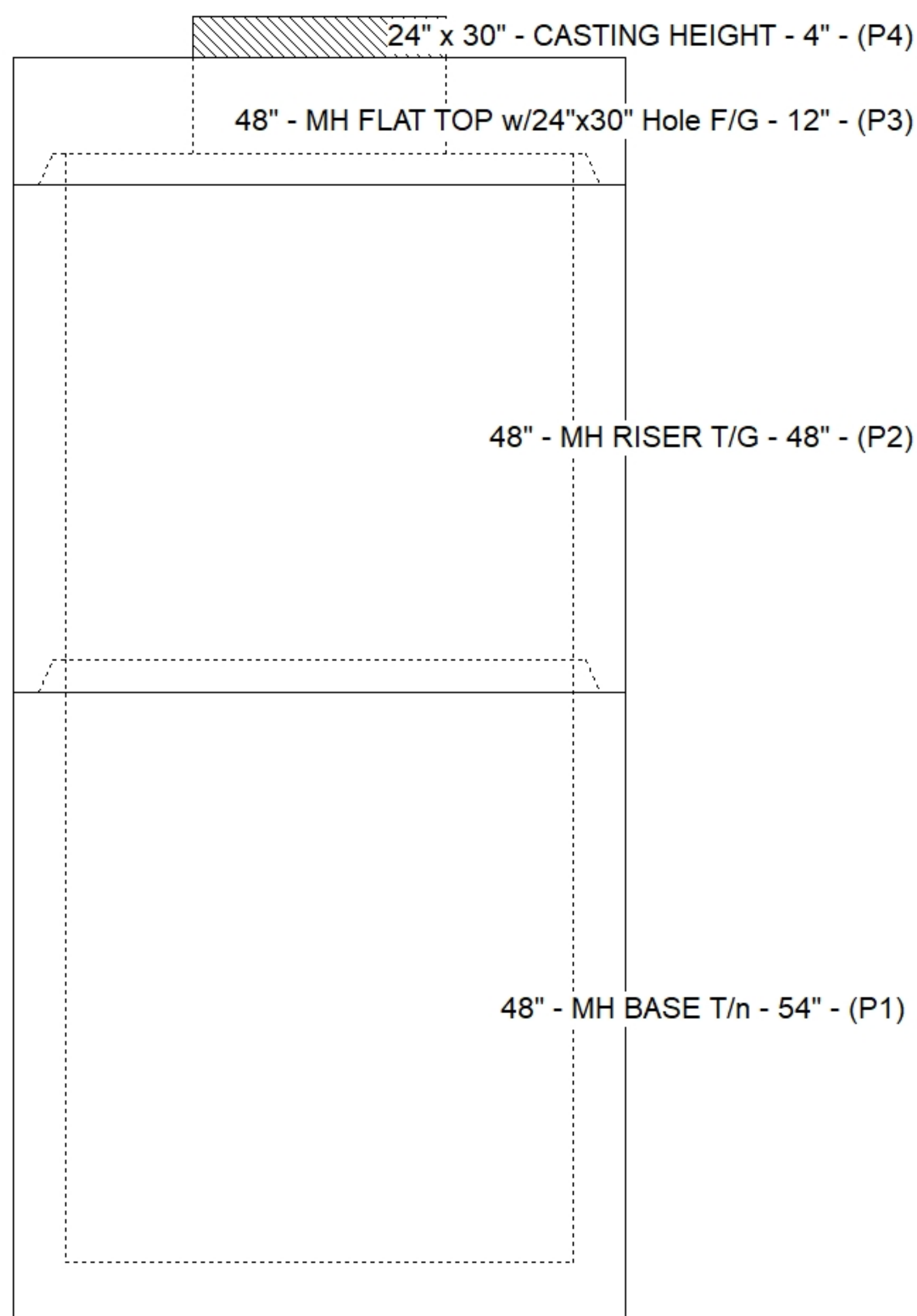
P4) 24" x 30" - CASTING HEIGHT - 4"	0 lb
P3) 48" - MH FLAT TOP w/24"x30" Hole F/G - 12"	1935 lb
P2) 48" - MH RISER T/G - 48"	3353 lb
P1) 48" - MH BASE T/n - 54"	4787 lb
1) CASTING - HOE KY-460-11 F/G (DBI 11)	421 lb
2) 48" - Conseal CS-102 1.00"	0 lb
1) 24" x 30" - Conseal CS-102 1.00"	0 lb
1) Hole - 30	0 lb
8) MH Step ML-10-TDS-NCR - 10"	0 lb
<b>Structure Total:</b>	<b>10496 lb</b>

Step: 135°

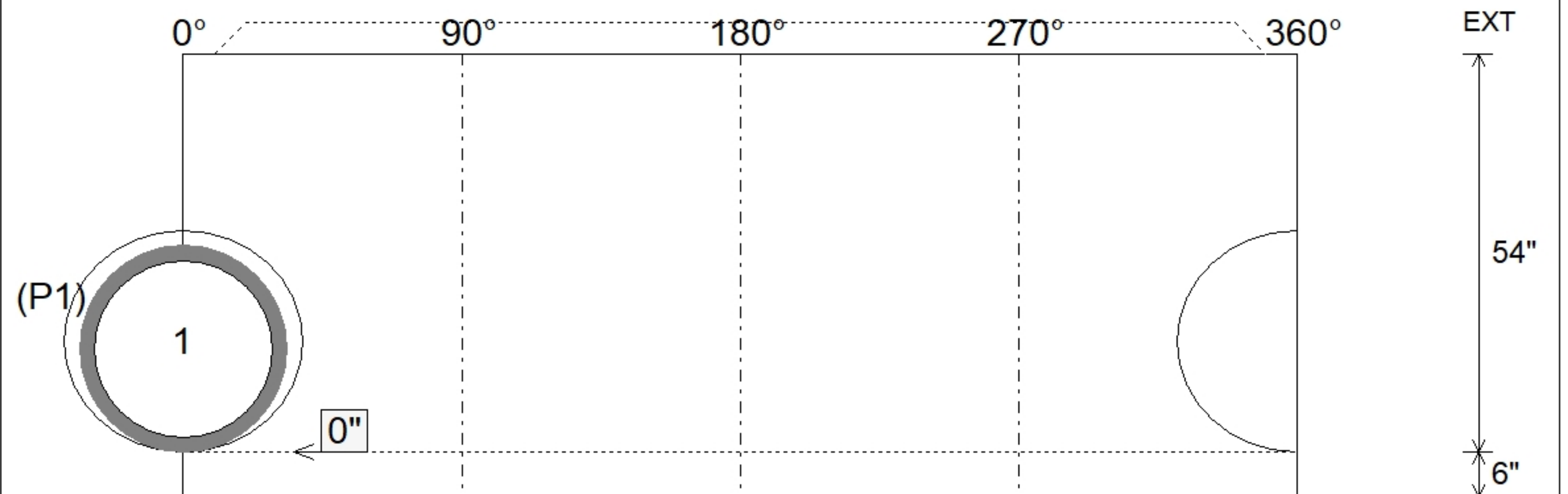


Invert: 1  
 Degree: 0°

Position	Elev	Angle	Pipe	Pipe OD	Hole	Connector	Up (")	Ref
Rim	583.67'							
Reducer								
Invert 1	573.8'	0°	24" ADS N-12	28"	30"	Hole 30	0"	P1
Invert 2								
Invert 3								
Invert 4								
Invert 5								
Invert 6								
Invert 7								
Invert 8								



**Cast (Int. Dim.) - Interior Dimensions**



Submittal Drawing  
 10/23/2025 7:20:13 AM

SUBMITTAL  
 APPROVED BY: