

Job Name: 25-3170 - Publix BG  
 Job Location: Bowling Green, KY  
 Contractor: Scotty's Contracting & Stone, LLC

Plant: Beaver Dam, KY

Tech: K. Cardwell

10/9/2025 7:48:37 AM

PC: C. Goff



**Structure ID: DBI10**

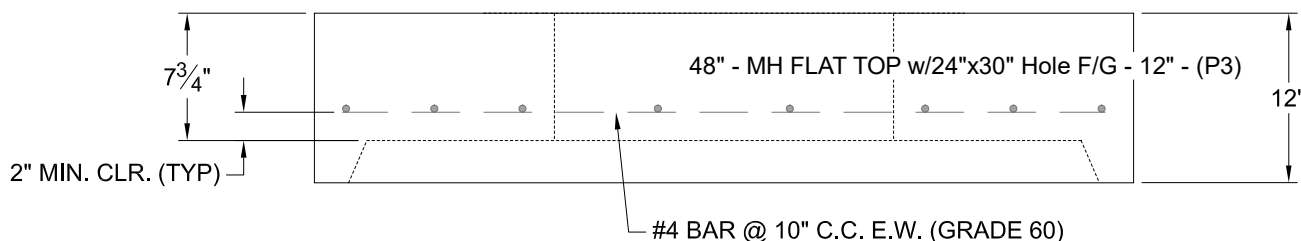
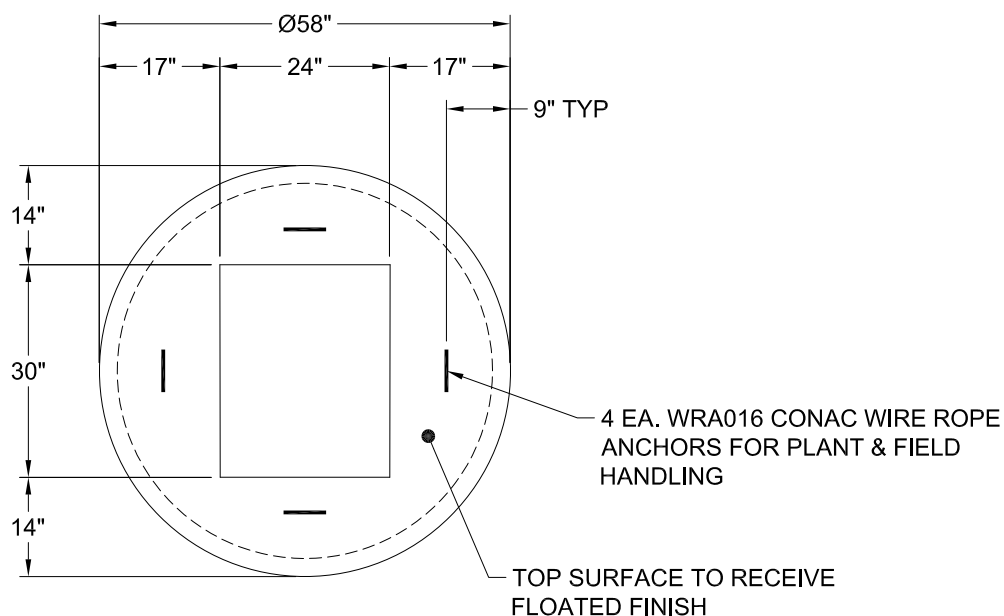
**P3 MH048LD12-24X30RECT**

**MH FLAT TOP w/24"x30" Hole F/G**

- P4) 24" x 30" - CASTING HEIGHT - 4"
- P3) 48" - MH FLAT TOP w/24"x30" Hole F/G - 12"
- P2) 48" - MH RISER T/G - 48"
- P1) 48" - MH BASE T/n - 54"
- 1) CASTING - HOE KY-460-11 F/G (DBI 11)
- 2) 48" - Conseal CS-102 1.00"
- 1) 24" x 30" - Conseal CS-102 1.00"
- 1) Hole - 30
- 8) MH Step ML-10-TDS-NCR - 10"

0 lb  
 1935 lb  
 3353 lb  
 4787 lb  
 421 lb  
 0 lb  
 0 lb  
 0 lb  
 0 lb  
 -----  
 Structure Total: 10496 lb

**Structure Notes:**  
 PLAN LABEL: DBI 10  
 1. PER ASTM C-478 SPECS  
 2. CONCRETE: 4,000 PSI AT 28 DAYS  
 3. REINFORCEMENT: #4 BAR @ 10" C.C. E.W. (GRADE 60) - 2" MIN. REBAR CLEARANCE (TYP)  
 4. STEPS AT 135 DEGREES  
 5. KY 460 FRAME & GRATE SUPPLIED BY ICAST  
 6. LIFTERS: 4 EA. WRA016 CONAC WIRE ROPE ANCHORS FOR PLANT & FIELD HANDLING



Coating (Int):  
 Coating (Ext):

Seam Up: Flat  
 Seam Dn: Groove

Wall Thickness: 5"

Height (Ext): 12"

Weight (Net): 1935 lb  
 Volume (Net): 0.49cu.yd