

Structure ID: DBI10

P1 MH048BA54

MH BASE T/n

P4) 24" x 30" - CASTING HEIGHT - 4" P3) 48" - MH FLAT TOP w/24"x30" Hole F/G - 12" P2) 48" - MH RISER T/G - 48" P1) 48" - MH BASE T/n - 54" 1) CASTING - HOE KY-460-11 F/G (DBI 11) 2) 48" - Conseal CS-102 1.00" 1) 24" x 30" - Conseal CS-102 1.00" 1) Hole - 30 8) MH Step ML-10-TDS-NCR - 10"	0 lb 1935 lb 3353 lb 4787 lb 421 lb 0 lb 0 lb 0 lb 0 lb 0 lb ----- 10496 lb
Structure Total: 10496 lb	

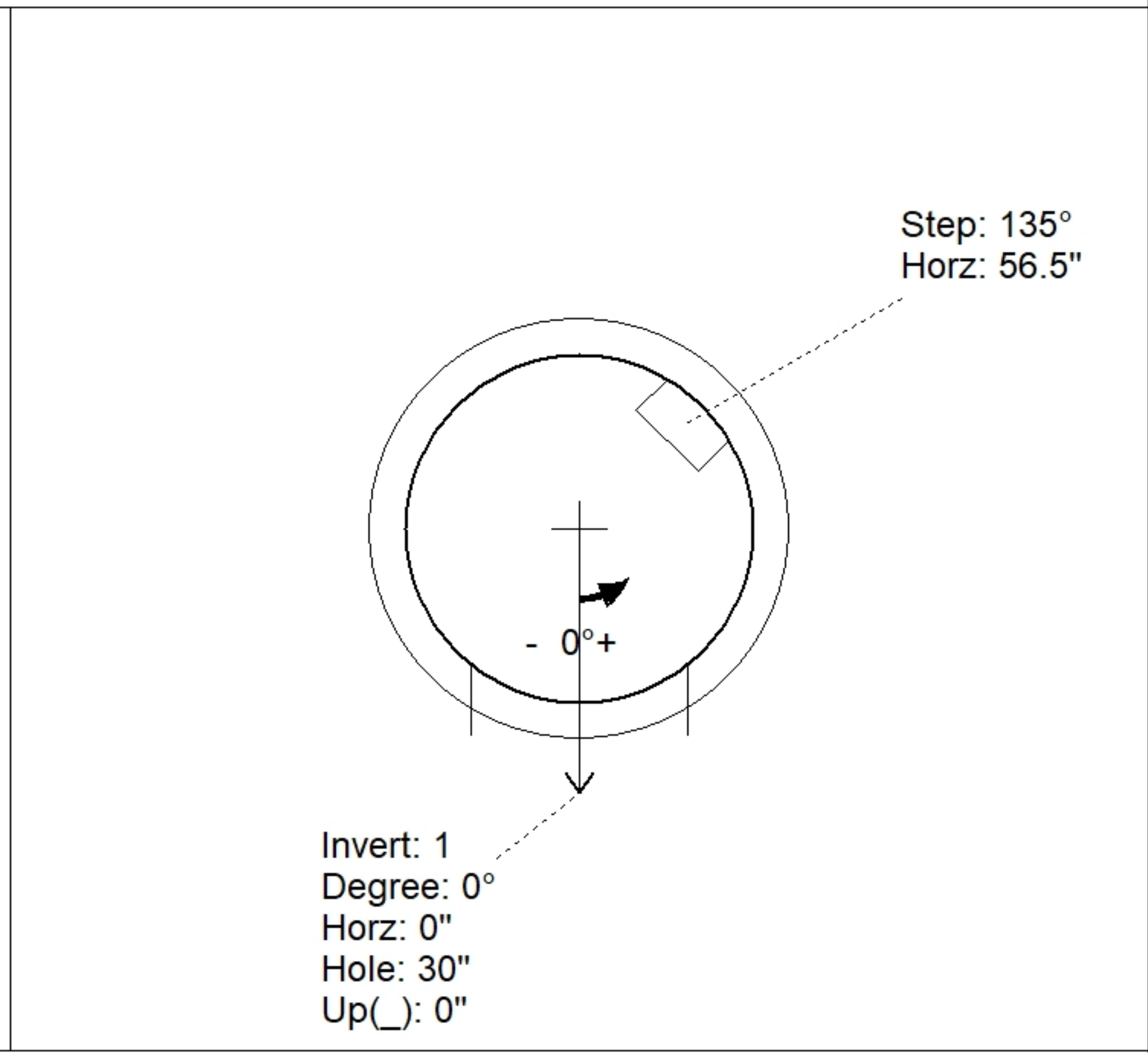
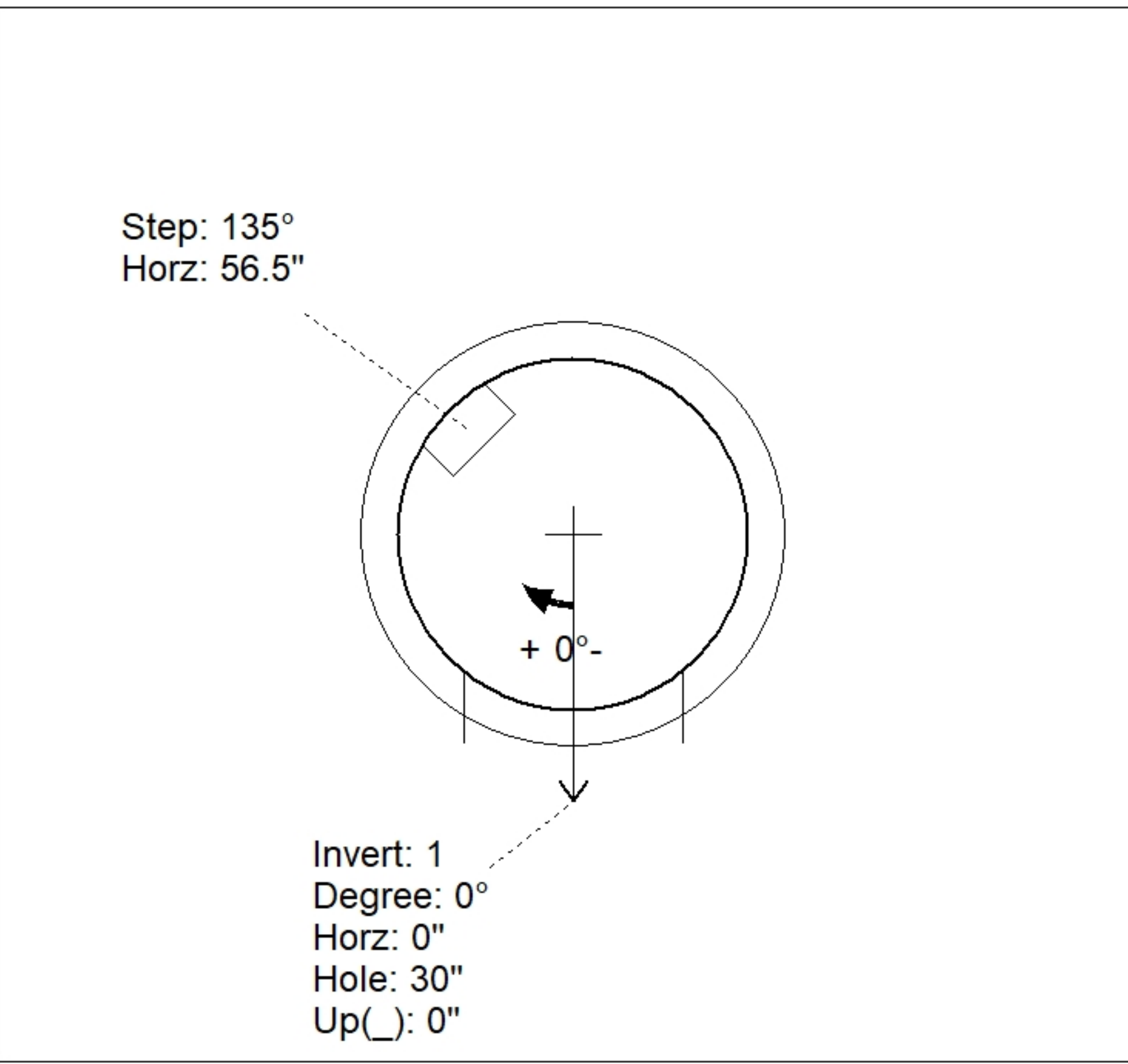
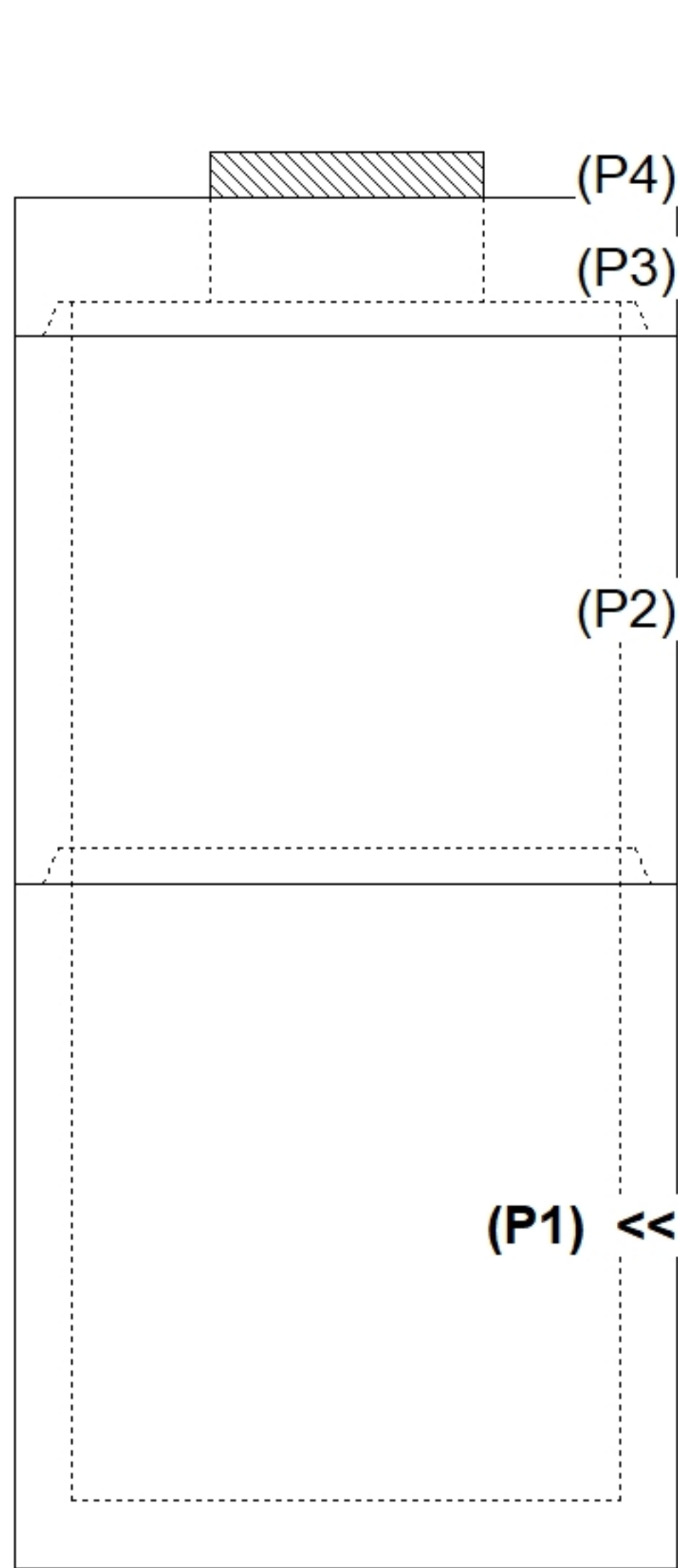
Structure Notes:
 PLAN LABEL: DBI 10
 1. PER ASTM C-478 SPECS
 2. CONCRETE: 4,000 PSI AT 28 DAYS
 3. REINFORCEMENT:
 - FLAT LID: #4 BAR @ 10" C.C. E.W. (GRADE 60)
 - BASE & RISER: PER ASTM A615
 4. STEPS AT 135 DEGREES
 5. KY 460 FRAME & GRATE SUPPLIED BY ICAST

Rim: 583.67' Rim to Invert: 9.87' Slack: 2.44" Sump: 2" Step Position: 135°

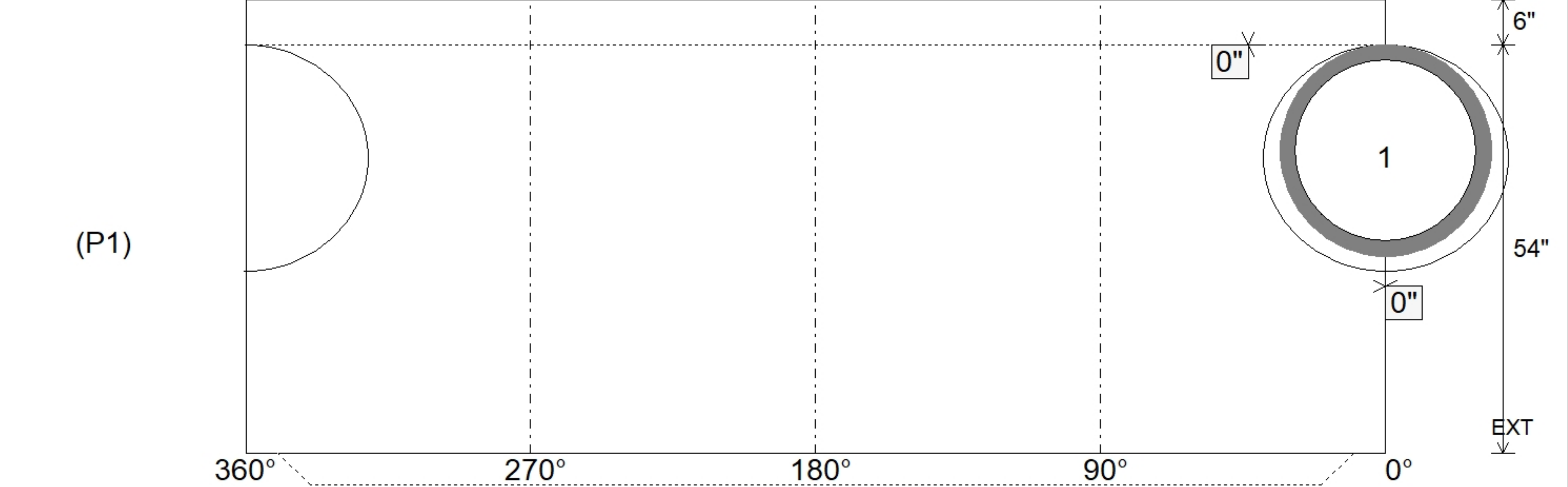
Position	Elev	Angle	Ext. (cw)	Pipe	Pipe OD	Connector	Hole	Horz Size	Up (⌋)	Offset
Invert 1	573.8'	0°	0"	24" ADS N-12	28"	Hole 30	30"	32.406"	0"	0"
Invert 2										
Invert 3										
Invert 4										
Invert 5										
Invert 6										
Invert 7										
Invert 8										

RIGHT-SIDE UP VIEW (int. dimensions)

UPSIDE-DOWN VIEW (int. dimensions)



INSIDE WALL DIMENSIONS



Coating (Int): Coating (Ext):	Seam Up: Tongue Seam Dn: n/a	Wall Thickness: 5" Floor Height: 6"	Height (Int): 54" Height (Ext): 60"	Weight (Net): 4787 lb Volume (Net): 1.22cu.yd
----------------------------------	---------------------------------	--	--	--