

Job Name: 25-3170 - Publix BG
Job Location: Bowling Green, KY
Contractor: Scotty's Contracting & Stone, LLC

PC: C. Goff
 TECH: K. Cardwell
 Plant: Beaver Dam, KY



Structure ID: DBI1
 Spec: Storm
 Type: STM.MH
 Size: 60"

Rim: 575.86'
 Invert: 570.86'
 Rim to Invert: 5'

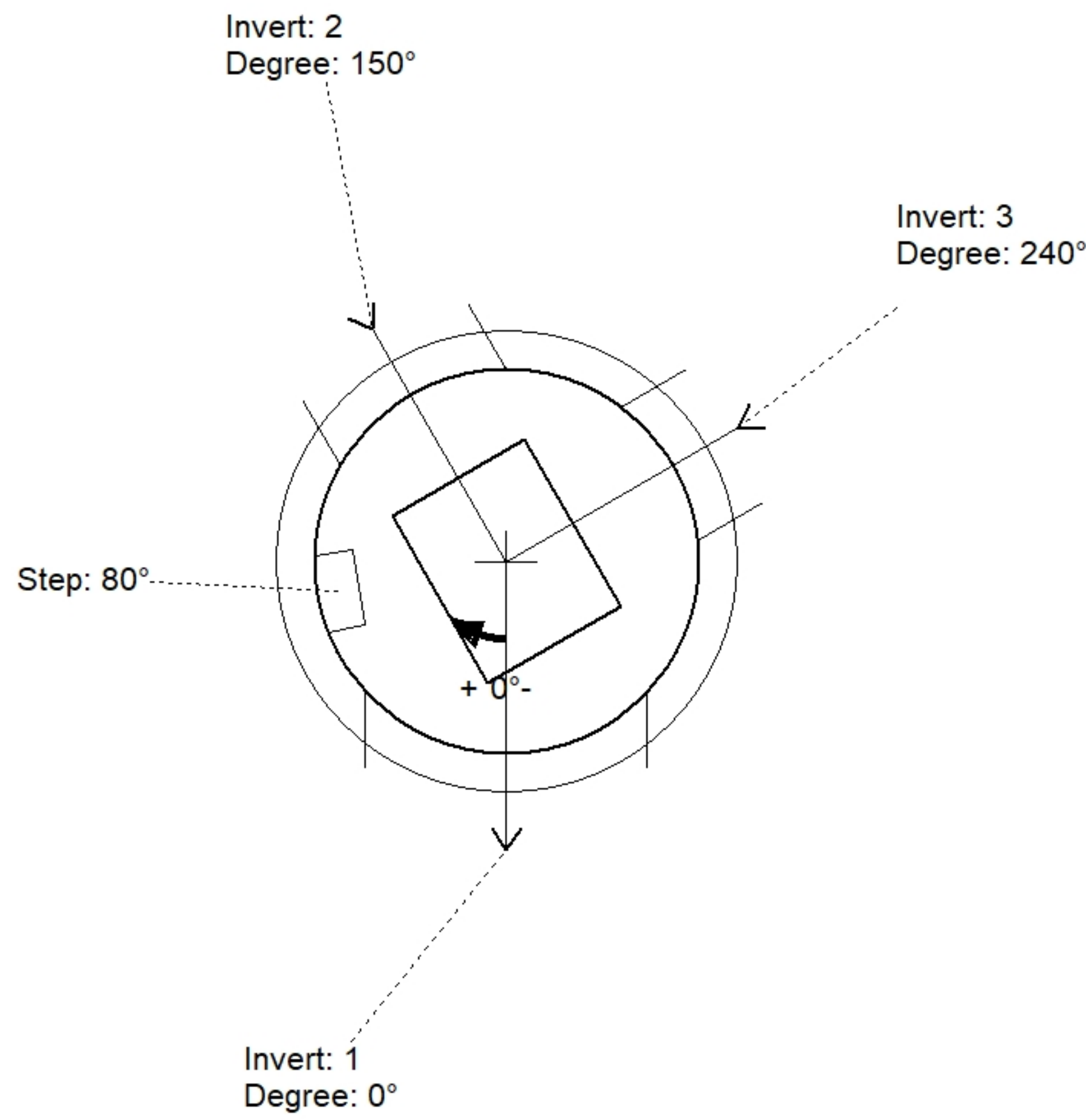
Sump: 3"
 Floor (Top): 570.61'
 Floor Height: 8"

Floor (Bot): 569.943'
 Overall Height: 5.917'
 Slack: 0"

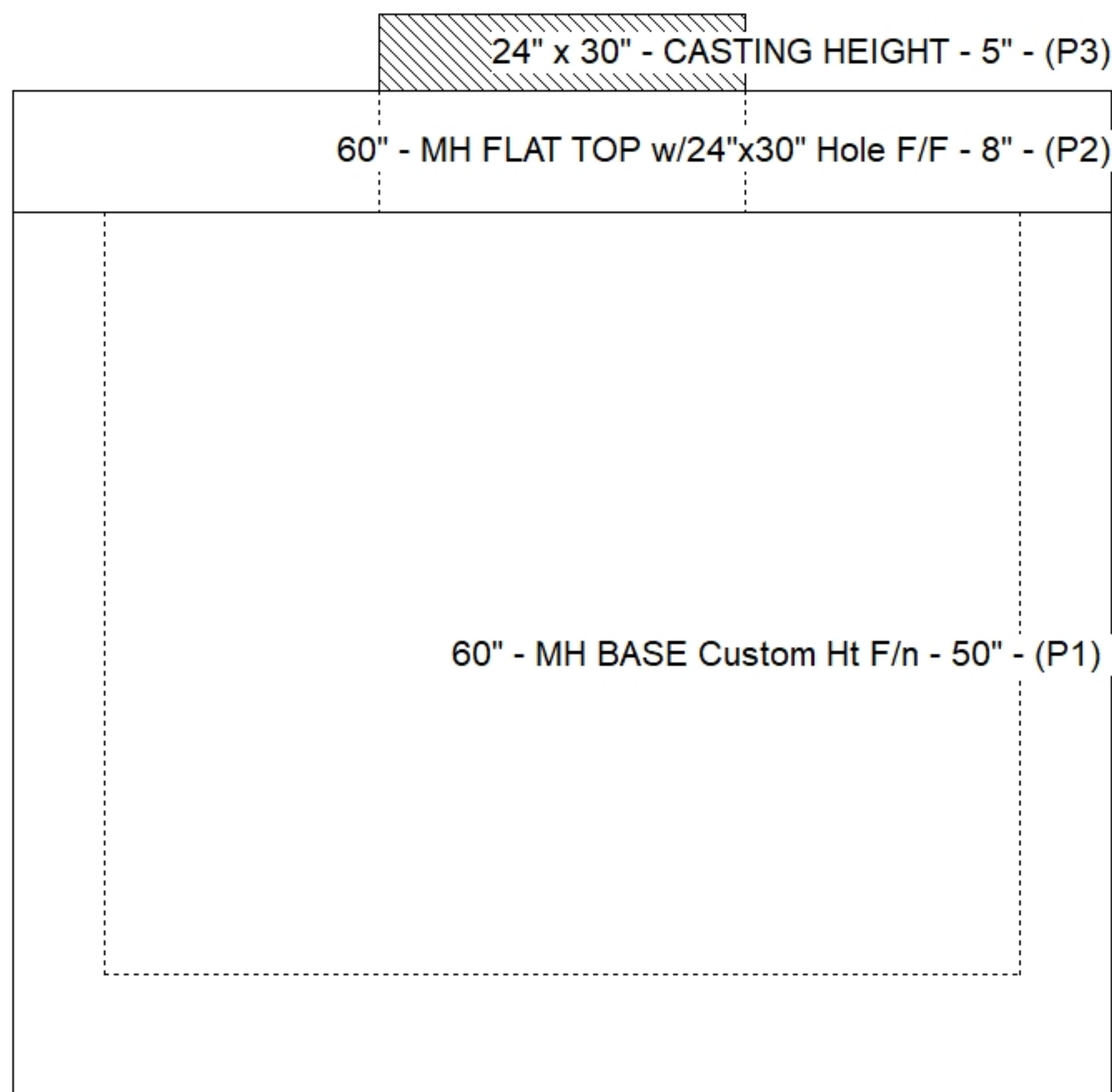
- Structure Notes:**
 PLAN LABEL: DBI 1
 1. PER ASTM C-478 SPECS
 2. CONCRETE: 4,000 PSI AT 28 DAYS
 3. REINFORCEMENT:
 - FLAT LID: #5 BAR @ 6" C.C. E.W. (GRADE 60)
 - BASE: PER ASTM A615
 4. STEPS AT 80 DEGREES
 5. KY 465 FRAME, GRATE, & CURB BOX SUPPLIED BY ICAST

STRUCTURE SUMMARY:

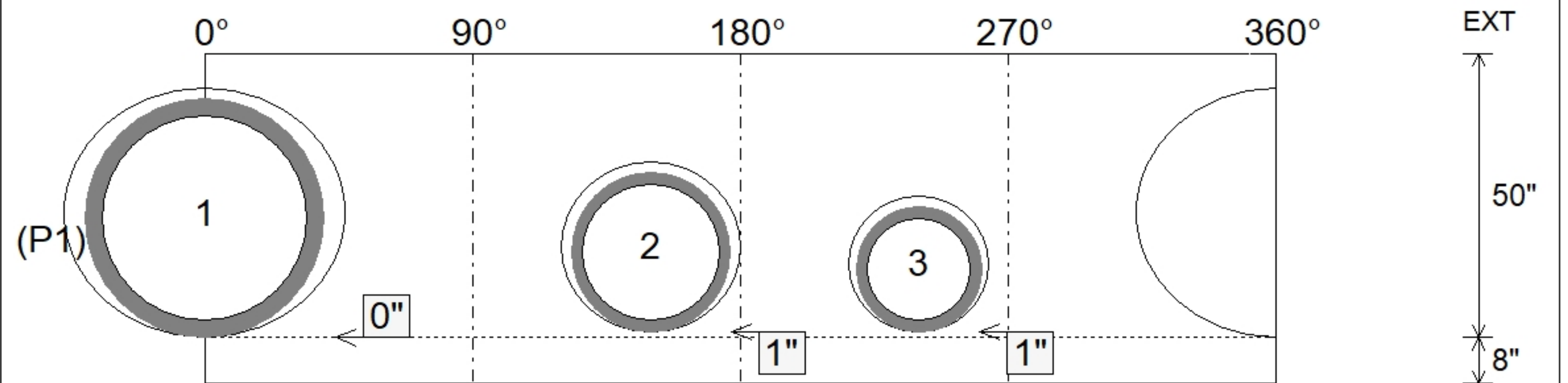
P3) 24" x 30" - CASTING HEIGHT - 5"	0 lb
P2) 60" - MH FLAT TOP w/24"x30" Hole F/F - 8"	2250 lb
P1) 60" - MH BASE Custom Ht F/n - 50"	6508 lb
1) CASTING - HOE KY-460-11 F/G (DBI 11)	421 lb
1) 60" - Conseal CS-102 1.00"	0 lb
1) 24" x 30" - Conseal CS-102 1.00"	0 lb
1) Hole - 44	0 lb
1) Hole - 30	0 lb
1) Hole - 24	0 lb
4) MH Step ML-10-TDS-NCR - 10"	0 lb
Structure Total:	9179 lb



Position	Elev	Angle	Pipe	Pipe OD	Hole	Connector	Up (")	Ref
Rim	575.86'							
Reducer								
Invert 1	570.86'	0°	36" ADS N-12	42"	44"	Hole 44	0"	P1
Invert 2	570.86'	150°	24" ADS N-12	28"	30"	Hole 30	1"	P1
Invert 3	570.86'	240°	18" ADS N-12	22"	24"	Hole 24	1"	P1
Invert 4								
Invert 5								
Invert 6								
Invert 7								
Invert 8								



Cast (Int. Dim.) - Interior Dimensions



Submittal Drawing
 10/23/2025 7:20:20 AM

SUBMITTAL
 APPROVED BY: