

Job Name: 25-3170 - Publix BG
 Job Location: Bowling Green, KY
 Contractor: Scotty's Contracting & Stone, LLC

Plant: Beaver Dam, KY
 10/9/2025 7:48:42 AM

Tech: K. Cardwell
 PC: C. Goff



Structure ID: DBI1

P2 MH060LD08-24x30RECT

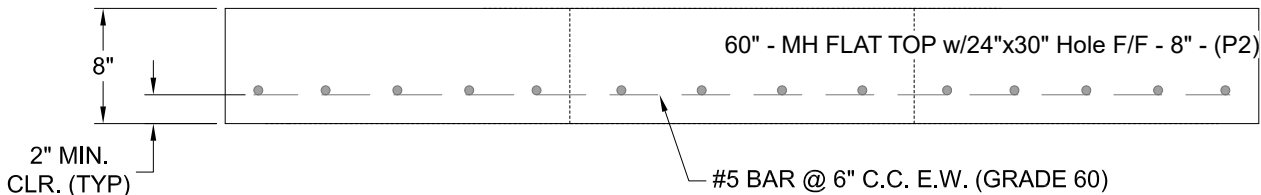
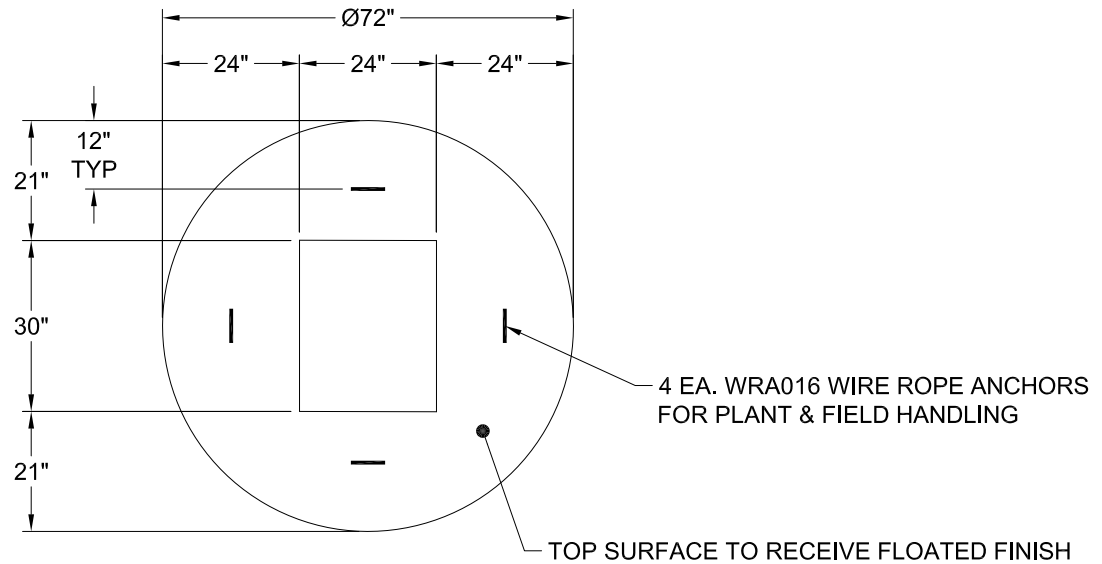
MH FLAT TOP w/24"x30" Hole F/F

- P3) 24" x 30" - CASTING HEIGHT - 5"
- P2) 60" - MH FLAT TOP w/24"x30" Hole F/F - 8"
- P1) 60" - MH BASE Custom Ht F/n - 50"
- 1) CASTING - HOE KY-460-11 F/G (DBI 11)
- 1) 60" - Conseal CS-102 1.00"
- 1) 24" x 30" - Conseal CS-102 1.00"
- 1) Hole - 44
- 1) Hole - 30
- 1) Hole - 24
- 4) MH Step ML-10-TDS-NCR - 10"

0 lb
 2250 lb
 6508 lb
 421 lb
 0 lb
 0 lb
 0 lb
 0 lb
 0 lb
 0 lb
 0 lb

 Structure Total: 9179 lb

- Structure Notes:**
 PLAN LABEL: DBI 1
1. PER ASTM C-478 SPECS
 2. CONCRETE: 4,000 PSI AT 28 DAYS
 3. REINFORCEMENT: #5 BAR @ 6" C.C. E.W. (GRADE 60) - 2" MIN. REBAR CLEARANCE (TYP)
 4. STEPS AT 80 DEGREES
 5. KY 465 FRAME, GRATE, & CURB BOX SUPPLIED BY ICAST
 6. LIFTERS: 4 EA. WRA016 CONAC WIRE ROPE ANCHORS FOR PLANT & FIELD HANDLING



Coating (Int): Coating (Ext):	Seam Up: Flat Seam Dn: Flat	Wall Thickness: 6"	Height (Ext): 8"	Weight (Net): 2250 lb Volume (Net): 0.57cu.yd
----------------------------------	--------------------------------	--------------------	------------------	--