

**Structure ID: DBI1**

**P1 MH060BAVF**

**MH BASE Custom Ht F/n**

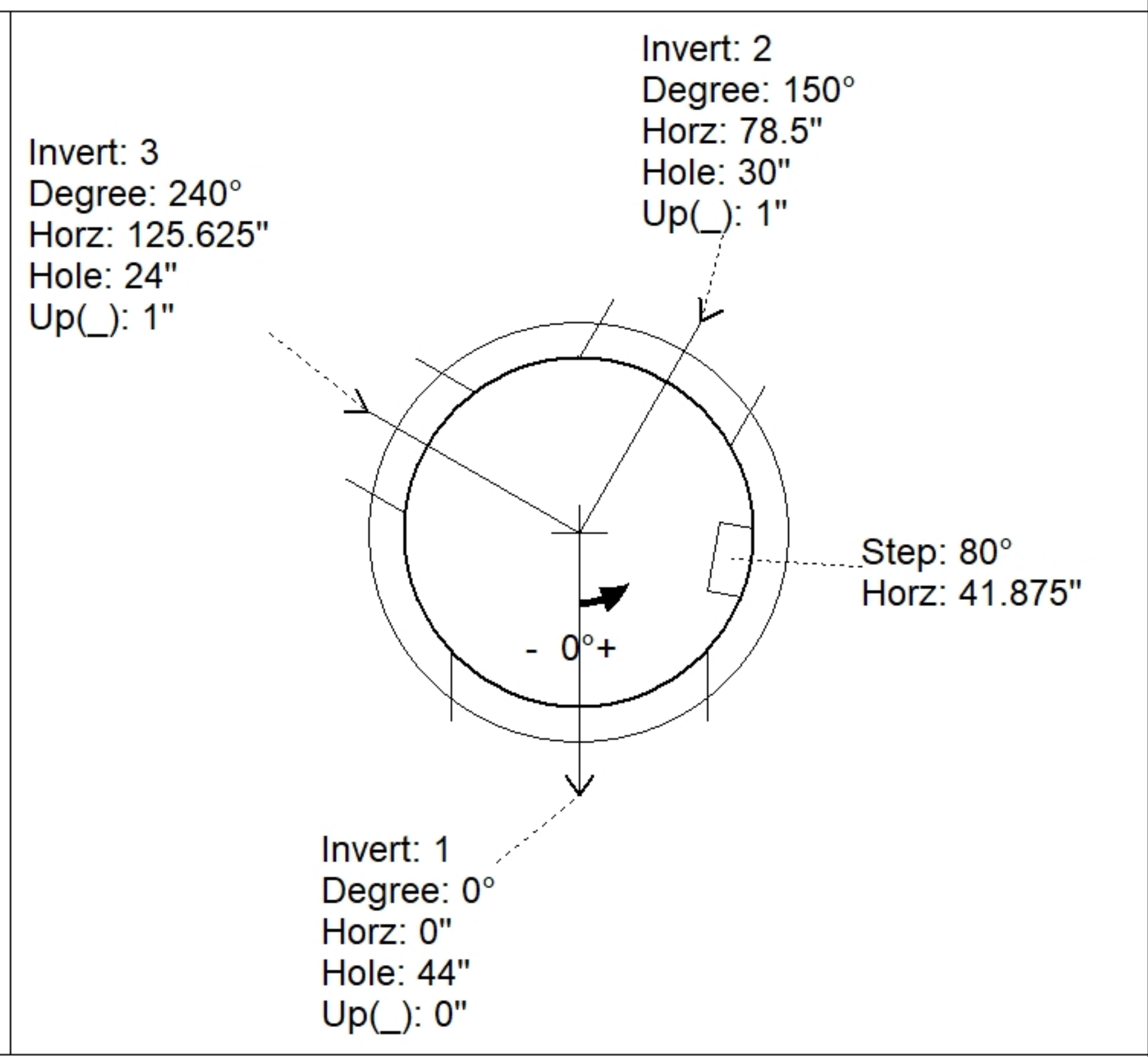
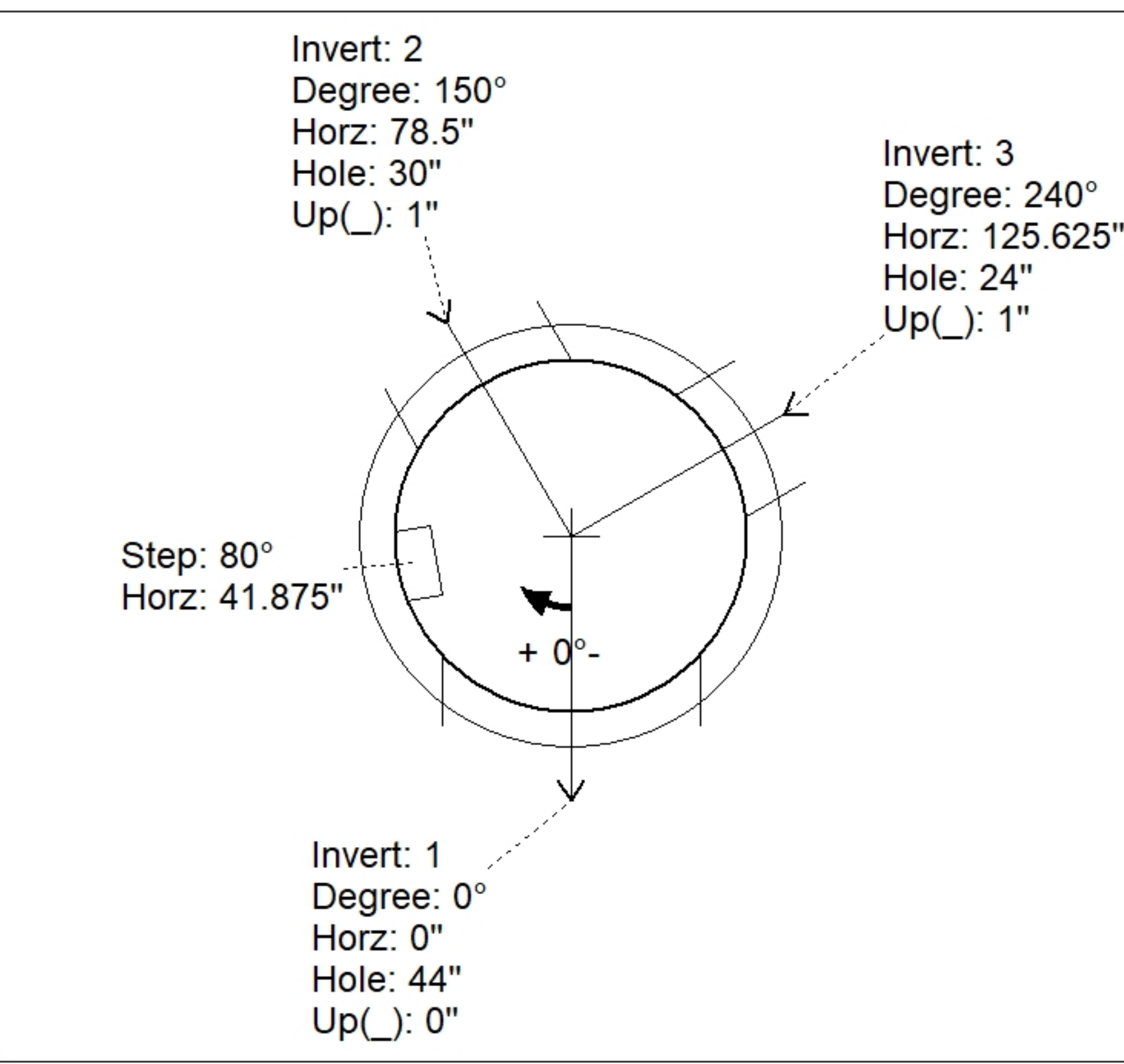
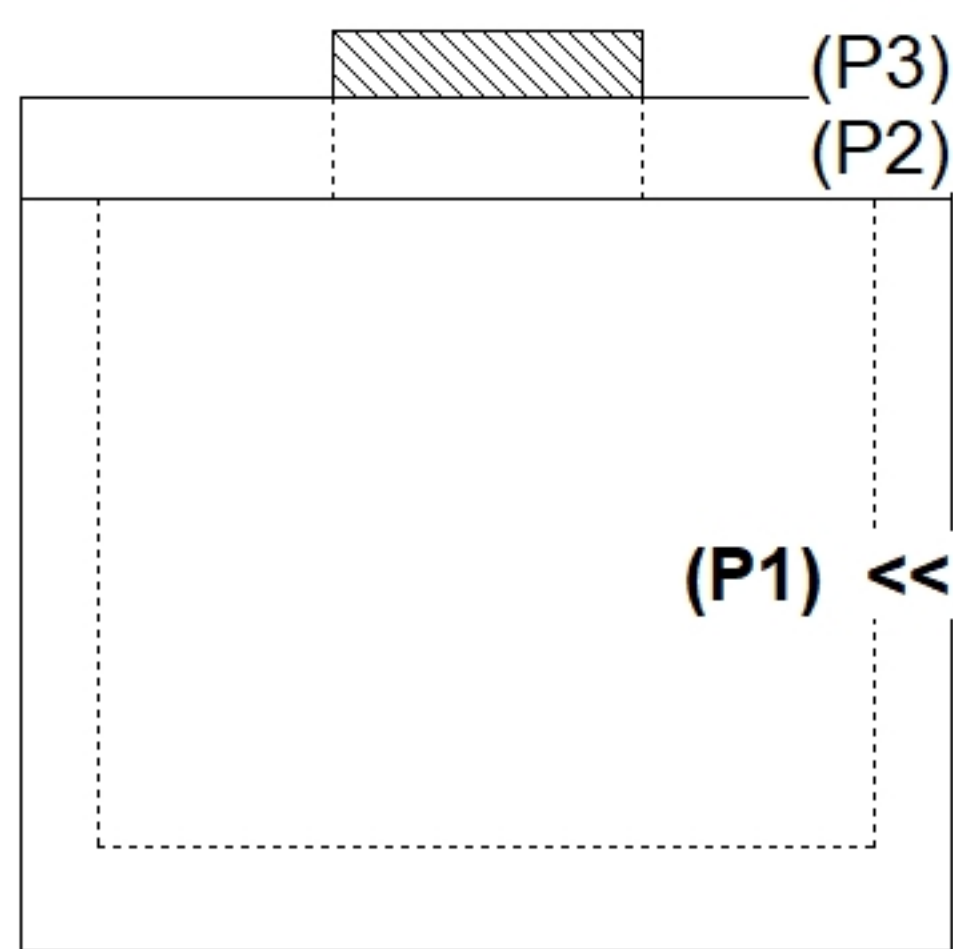
P3) 24" x 30" - CASTING HEIGHT - 5" P2) 60" - MH FLAT TOP w/24"x30" Hole F/F - 8" P1) 60" - MH BASE Custom Ht F/n - 50" 1) CASTING - HOE KY-460-11 F/G (DBI 11) 1) 60" - Conseal CS-102 1.00" 1) 24" x 30" - Conseal CS-102 1.00" 1) Hole - 44 1) Hole - 30 1) Hole - 24 4) MH Step ML-10-TDS-NCR - 10"	0 lb 2250 lb 6508 lb 421 lb 0 lb 0 lb 0 lb 0 lb 0 lb 0 lb 0 lb 0 lb ----- Structure Total: 9179 lb	<b>Structure Notes:</b> PLAN LABEL: DBI 1 1. PER ASTM C-478 SPECS 2. CONCRETE: 4,000 PSI AT 28 DAYS 3. REINFORCEMENT: - FLAT LID: #5 BAR @ 6" C.C. E.W. (GRADE 60) - BASE: PER ASTM A615 4. STEPS AT 80 DEGREES 5. KY 465 FRAME, GRATE, & CURB BOX SUPPLIED BY ICAST
--	---	--

Rim: 575.86'    Rim to Invert: 5'    Slack: 0"    Sump: 3"    Step Position: 80

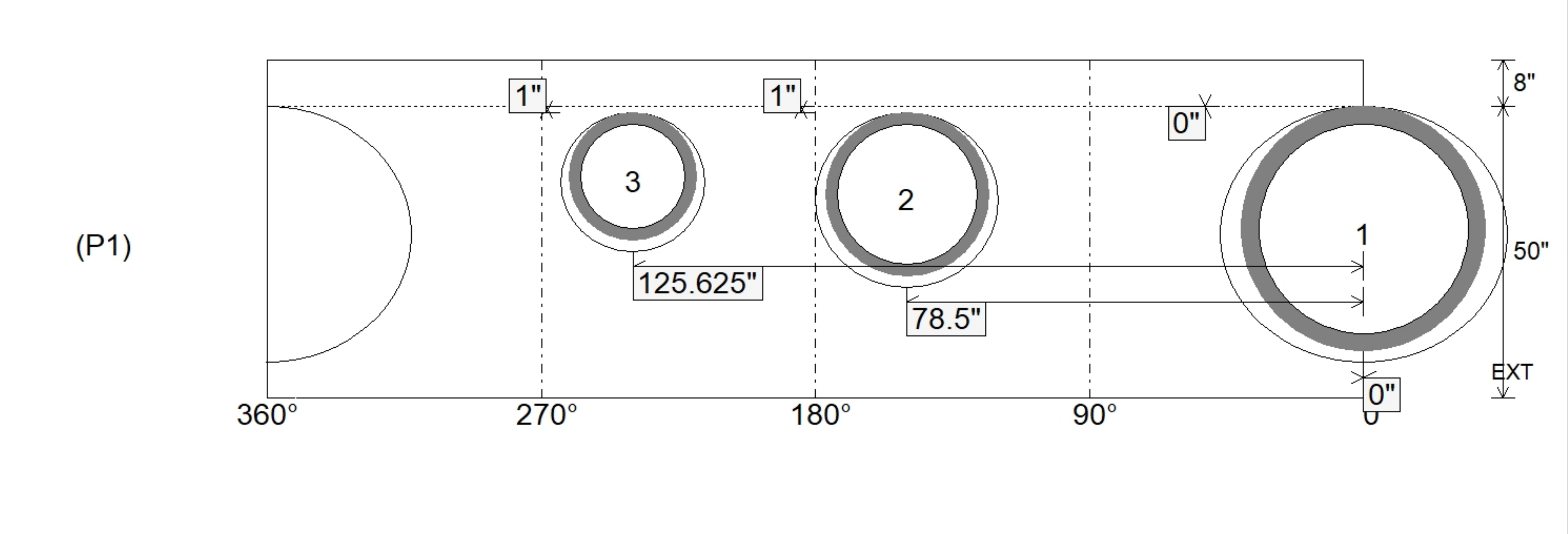
Position	Elev	Angle	Ext. (cw)	Pipe	Pipe OD	Connector	Hole	Horz Size	Up ( )	Offset
Invert 1	570.86'	0°	0"	36" ADS N-12	42"	Hole 44	44"	49.393"	0"	0"
Invert 2	570.86'	150°	94.25"	24" ADS N-12	28"	Hole 30	30"	31.416"	1"	0"
Invert 3	570.86'	240°	150.75"	18" ADS N-12	22"	Hole 24	24"	24.691"	1"	0"
Invert 4										
Invert 5										
Invert 6										
Invert 7										
Invert 8										

**RIGHT-SIDE UP VIEW (int. dimensions)**

**UPSIDE-DOWN VIEW (int. dimensions)**



**INSIDE WALL DIMENSIONS**



Coating (Int): Coating (Ext):	Seam Up: Flat Seam Dn: n/a	Wall Thickness: 6" Floor Height: 8"	Height (Int): 50" Height (Ext): 58"	Weight (Net): 6508 lb Volume (Net): 1.66cu.yd
----------------------------------	-------------------------------	--	--	--