

Job Name: 25-3170 - Publix BG
Job Location: Bowling Green, KY
Contractor: Scotty's Contracting & Stone, LLC

PC: C. Goff
 TECH: K. Cardwell
 Plant: Beaver Dam, KY



Structure ID: DBI1 (DILLARD RD)
 Spec: Storm
 Type: BX 8inW, 8inF
 Size: 24" x 30"

Rim: 574.72'
 Invert: 570.75'
 Rim to Invert: 3.97'

Sump: 0"
 Floor (Top): 570.75'
 Floor Height: 8"

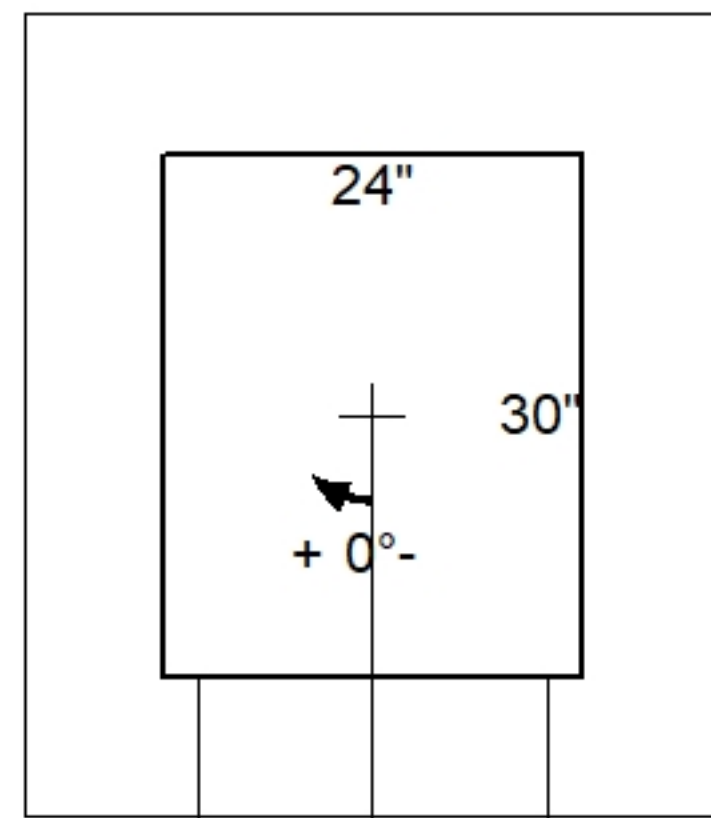
Floor (Bot): 570.083'
 Overall Height: 4.583'
 Slack: 0.64"

Structure Notes:
 PLAN LABEL: DBI-1 (DILLARD RD)
 1. PER ASTM C-913 SPECS
 2. CONCRETE: 4,000 PSI AT 28 DAYS
 3. REINFORCEMENT: #5 BAR @ 12" C.C. E.W. (GRADE 60)
 4. KY 460 FRAME & GRATE SUPPLIED BY ICAST

STRUCTURE SUMMARY:

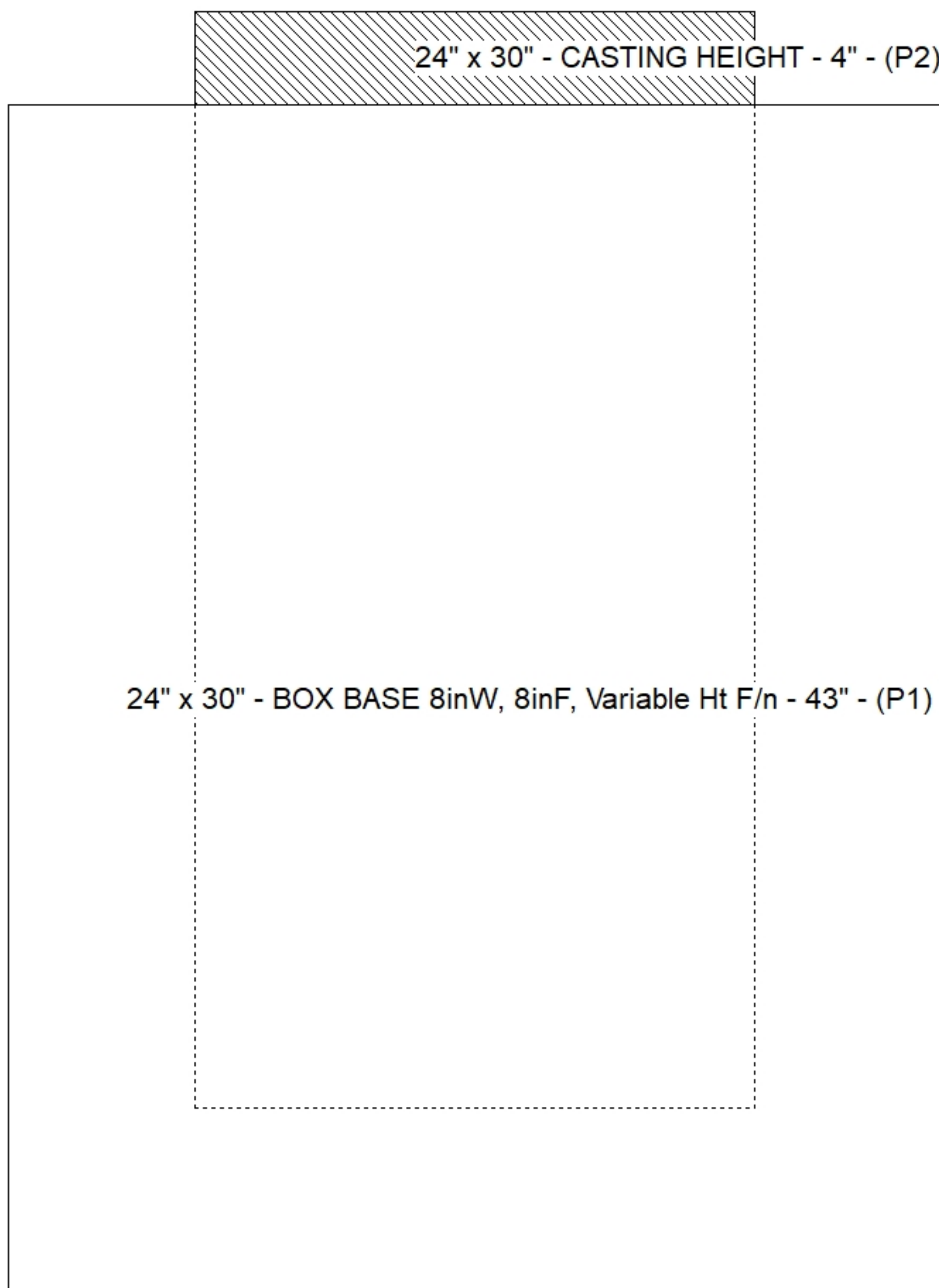
P2) 24" x 30" - CASTING HEIGHT - 4"	0 lb
P1) 24" x 30" - BOX BASE 8inW, 8inF, Variable Ht F/n - 43"	5065 lb
1) CASTING - HOE KY-460-11 F/G (DBI 11)	421 lb
1) 24" x 30" - Conseal CS-102 1.00"	0 lb
1) Hole - 20	0 lb

Structure Total:	5486 lb

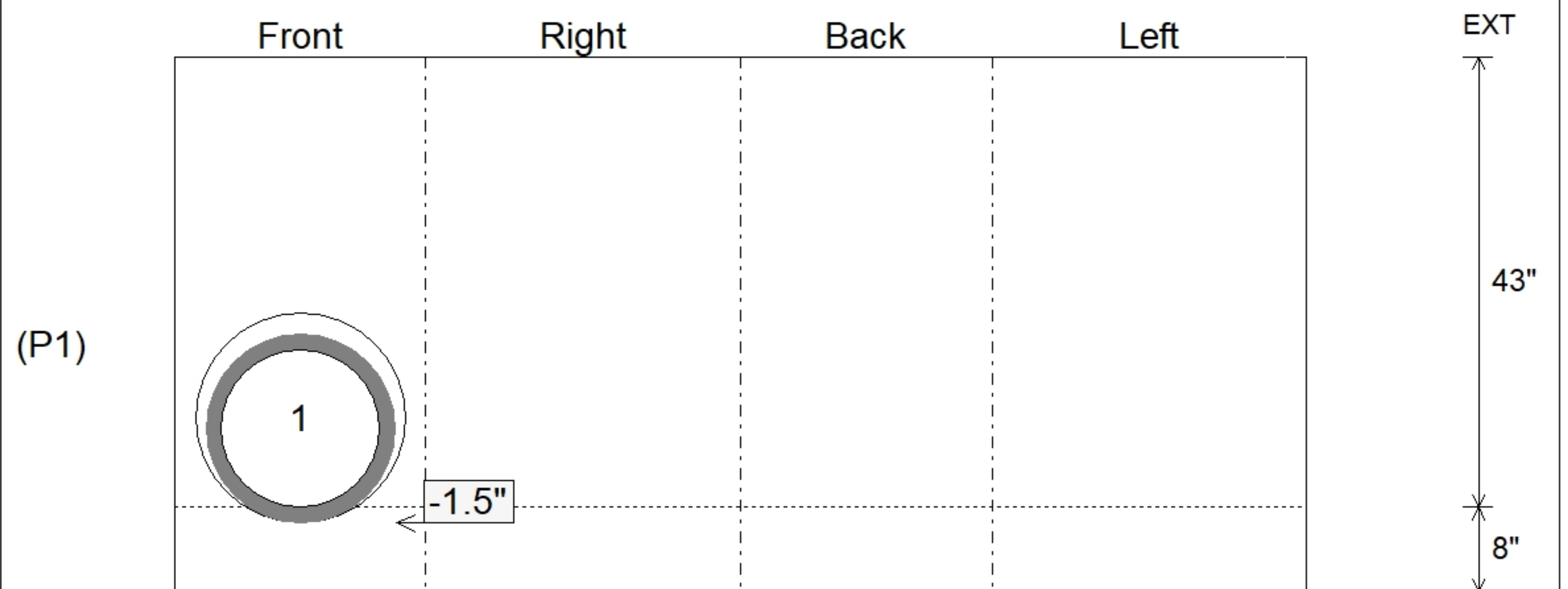


Invert: 1
 Degree: 0°

Position	Elev	Angle	Pipe	Pipe OD	Hole	Connector	Up ()	Ref
Rim	574.72'							
Reducer								
Invert 1	570.75'	0°	15" ADS N-12	18"	20"	Hole 20	-1.5"	P1
Invert 2								
Invert 3								
Invert 4								
Invert 5								
Invert 6								
Invert 7								
Invert 8								



Cast (Int. Dim.) - Interior Dimensions



Submittal Drawing
 10/23/2025 7:20:22 AM

SUBMITTAL
 APPROVED BY: