

Job Name: 25-3170 - Publix BG
Job Location: Bowling Green, KY
Contractor: Scotty's Contracting & Stone, LLC

PC: C. Goff
 TECH: K. Cardwell
 Plant: Beaver Dam, KY



Structure ID: **CBI7**
 Spec: Storm
 Type: STM.MH (Recessed pipe)
 Size: 48"

Rim: 581.78'
 Invert: 577.78'
 Rim to Invert: 4'

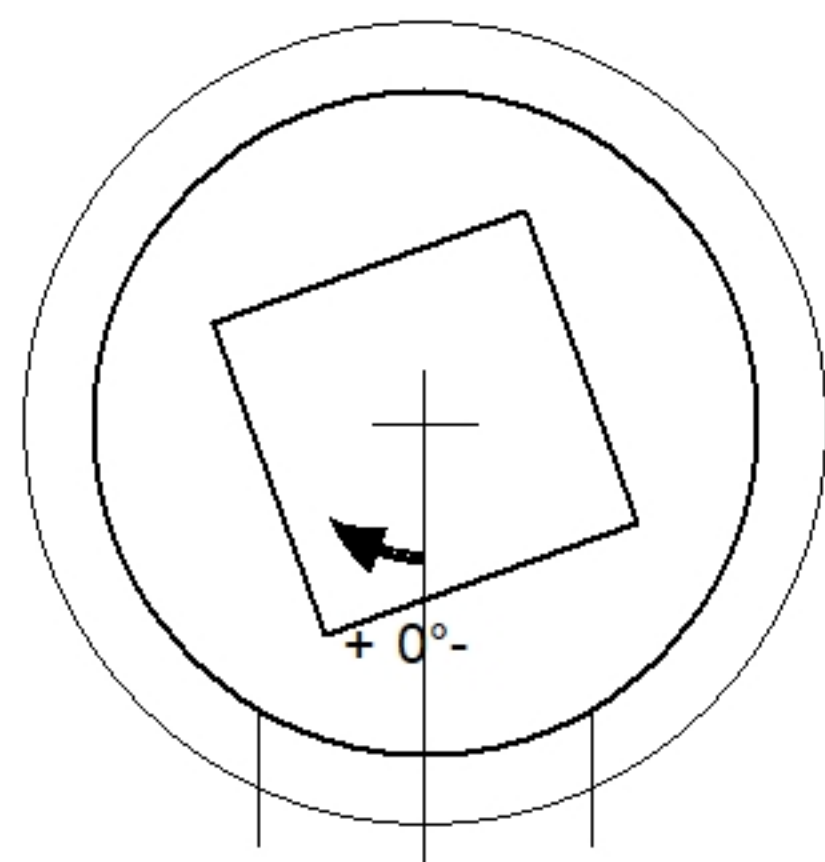
Sump: 0"
 Floor (Top): 577.78'
 Floor Height: 6"

Floor (Bot): 577.28'
 Overall Height: 4.5'
 Slack: 0"

- Structure Notes:**
 PLAN LABEL: CBI 7
 1. PER ASTM C-478 SPECS
 2. CONCRETE: 4,000 PSI AT 28 DAYS
 3. REINFORCEMENT:
 - FLAT LID: #4 BAR @ 10" C.C. E.W. (GRADE 60)
 - BASE: PER ASTM A615
 4. NO STEPS
 5. KY 465 FRAME, GRATE, & CURB BOX SUPPLIED BY ICAST

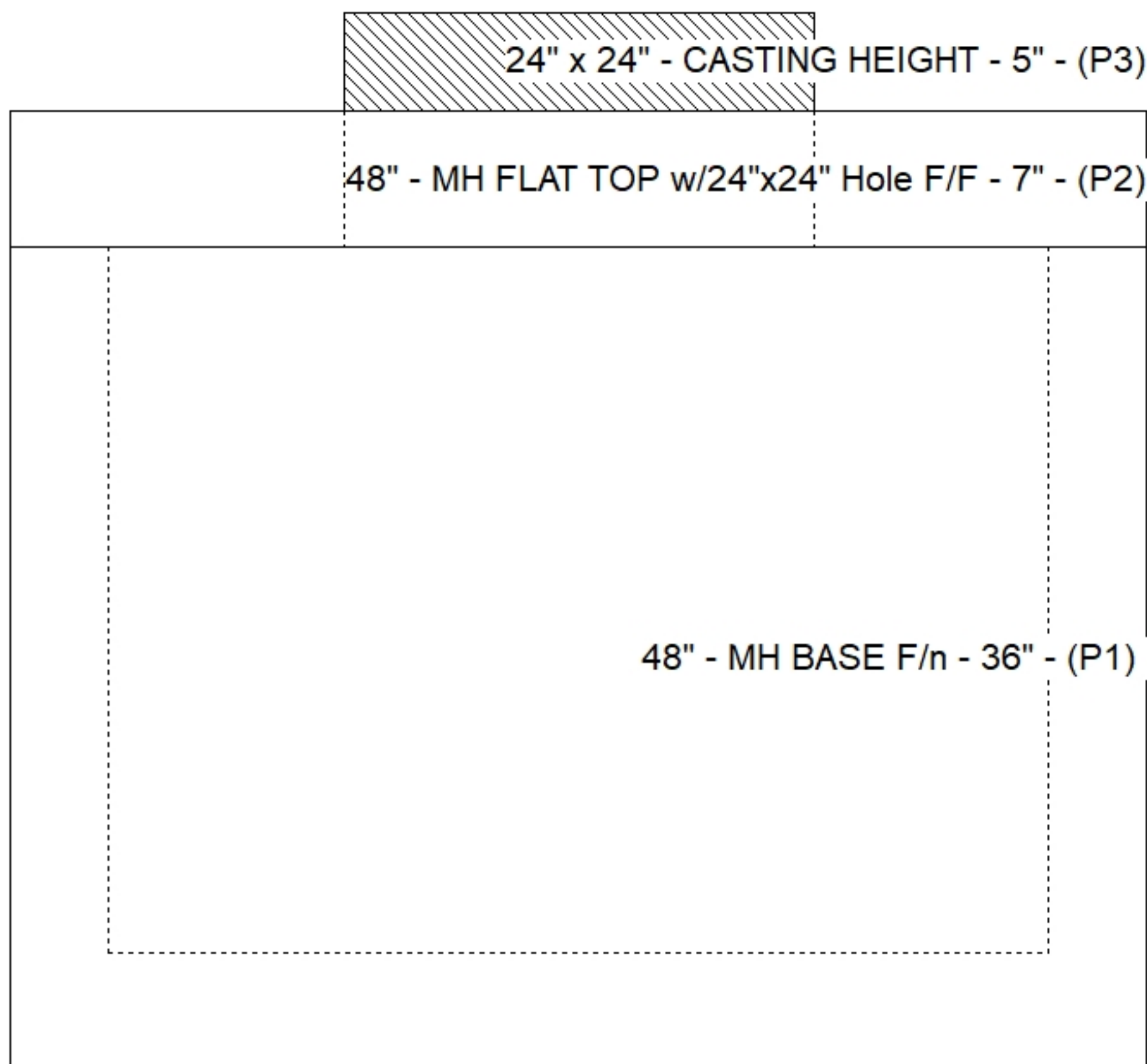
STRUCTURE SUMMARY:

P3) 24" x 24" - CASTING HEIGHT - 5"	0 lb
P2) 48" - MH FLAT TOP w/24"x24" Hole F/F - 7"	1214 lb
P1) 48" - MH BASE F/n - 36"	3635 lb
1) CASTING - HOE KY-465 SET (CBI TY F)	465 lb
1) 48" - Conseal CS-102 1.00"	0 lb
1) 24" x 24" - Conseal CS-102 1.00"	0 lb
1) Hole - 24"	0 lb
Structure Total:	5314 lb

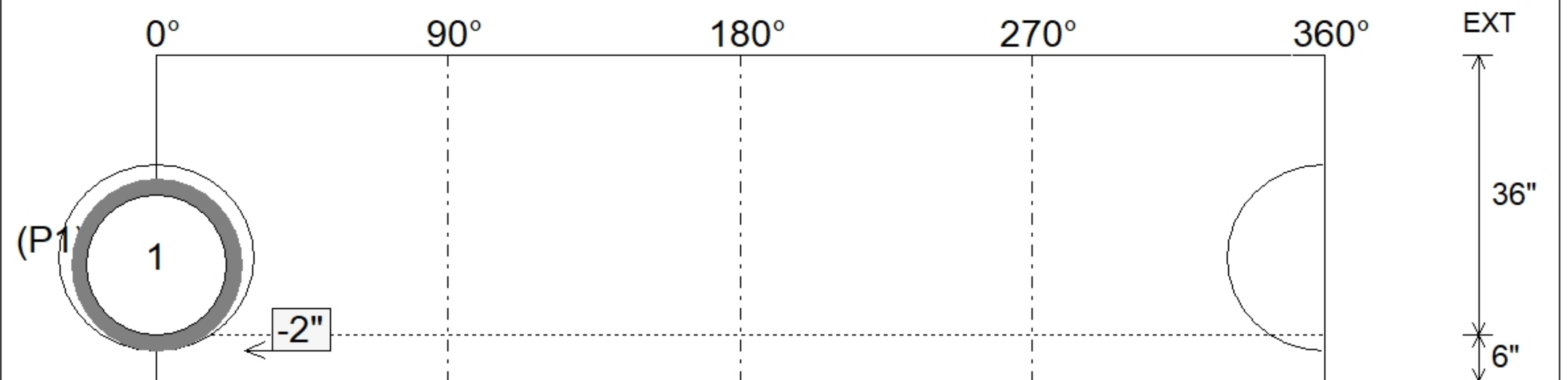


Invert: 1
 Degree: 0°

Position	Elev	Angle	Pipe	Pipe OD	Hole	Connector	Up ()	Ref
Rim	581.78'							
Reducer								
Invert 1	577.78'	0°	18" ADS N-12	22"	24"	Hole 24	-2"	P1
Invert 2								
Invert 3								
Invert 4								
Invert 5								
Invert 6								
Invert 7								
Invert 8								



Cast (Int. Dim.) - Interior Dimensions



Submittal Drawing
 10/23/2025 7:20:14 AM

SUBMITTAL
 APPROVED BY: