

Job Name: 25-3170 - Publix BG
 Job Location: Bowling Green, KY
 Contractor: Scotty's Contracting & Stone, LLC

Plant: Beaver Dam, KY
 10/9/2025 7:48:37 AM

Tech: K. Cardwell
 PC: C. Goff



Structure ID: CBI7

P2 MH048LD07SP

MH FLAT TOP w/24"x24" Hole F/F

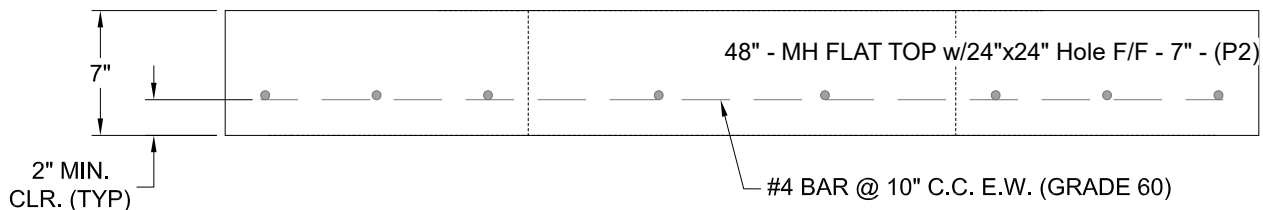
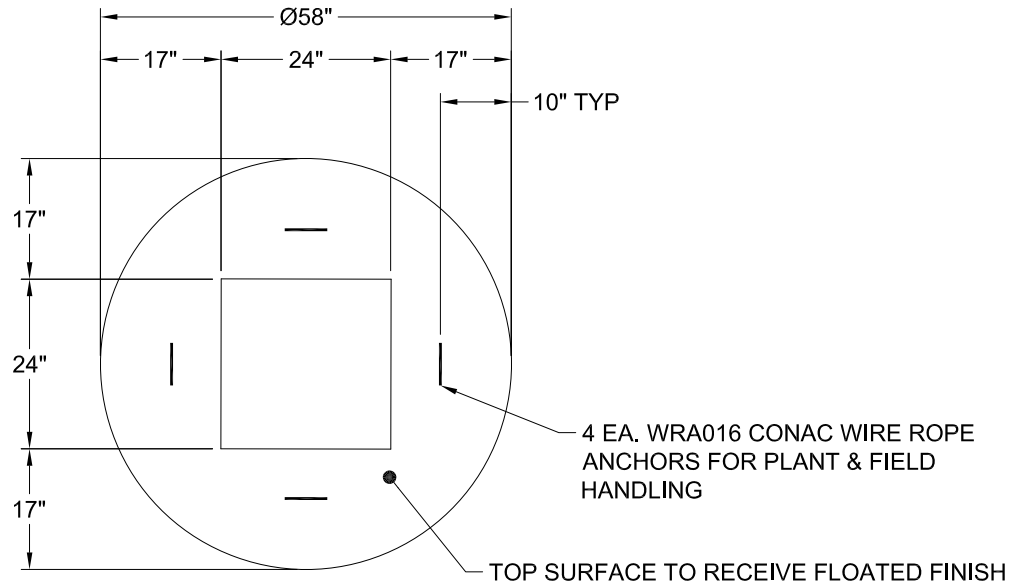
- P3) 24" x 24" - CASTING HEIGHT - 5"
- P2) 48" - MH FLAT TOP w/24"x24" Hole F/F - 7"
- P1) 48" - MH BASE F/n - 36"
- 1) CASTING - HOE KY-465 SET (CBI TY F)
- 1) 48" - Conseal CS-102 1.00"
- 1) 24" x 24" - Conseal CS-102 1.00"
- 1) Hole - 24"

0 lb
 1214 lb
 3635 lb
 465 lb
 0 lb
 0 lb
 0 lb

 0 lb

Structure Total: 5314 lb

- Structure Notes:**
 PLAN LABEL: CBI 7
1. PER ASTM C-478 SPECS
 2. CONCRETE: 4,000 PSI AT 28 DAYS
 3. REINFORCEMENT: #4 BAR @ 10" C.C. E.W. (GRADE 60) - 2" MIN. REBAR CLEARANCE (TYP)
 4. NO STEPS
 5. KY 465 FRAME, GRATE, & CURB BOX SUPPLIED BY ICAST
 6. LIFTERS: 4 EA. WRA016 CONAC WIRE ROPE ANCHORS FOR PLANT & FIELD HANDLING



Coating (Int): Coating (Ext):	Seam Up: Flat Seam Dn: Flat	Wall Thickness: 5"	Height (Ext): 7"	Weight (Net): 1214 lb Volume (Net): 0.31cu.yd
----------------------------------	--------------------------------	--------------------	------------------	--