

Structure ID: CBI7

P1 MH048BA36

MH BASE F/n

P3) 24" x 24" - CASTING HEIGHT - 5" P2) 48" - MH FLAT TOP w/24"x24" Hole F/F - 7" P1) 48" - MH BASE F/n - 36" 1) CASTING - HOE KY-465 SET (CBI TY F) 1) 48" - Conseal CS-102 1.00" 1) 24" x 24" - Conseal CS-102 1.00" 1) Hole - 24	0 lb 1214 lb 3635 lb 465 lb 0 lb 0 lb 0 lb 0 lb ----- 5314 lb	Structure Notes: PLAN LABEL: CBI 7 1. PER ASTM C-478 SPECS 2. CONCRETE: 4,000 PSI AT 28 DAYS 3. REINFORCEMENT: - FLAT LID: #4 BAR @ 10" C.C. E.W. (GRADE 60) - BASE: PER ASTM A615 4. NO STEPS 5. KY 465 FRAME, GRATE, & CURB BOX SUPPLIED BY ICAST
---	--	--

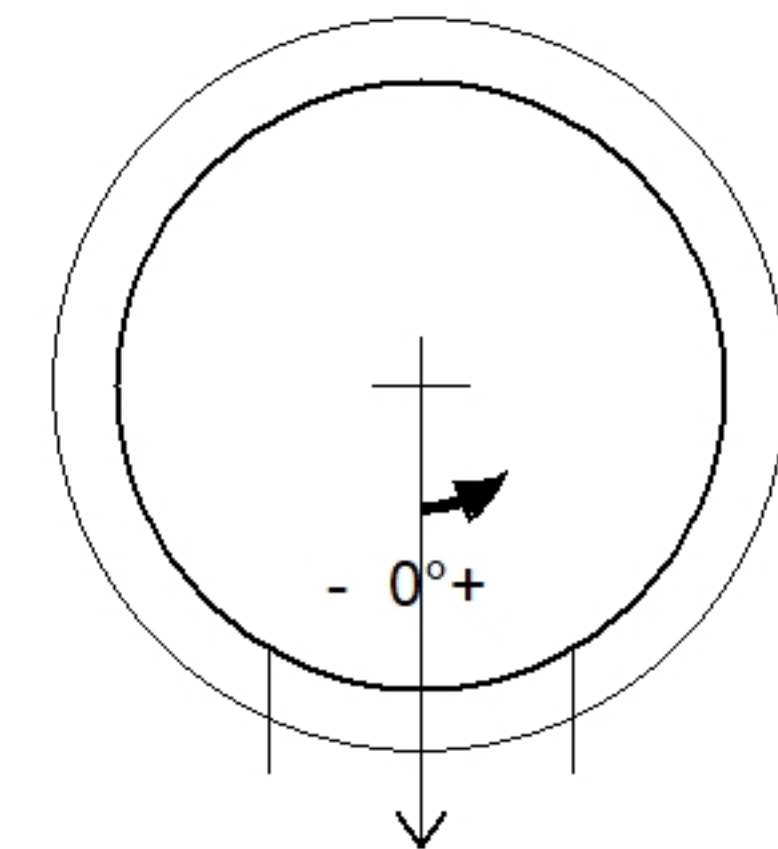
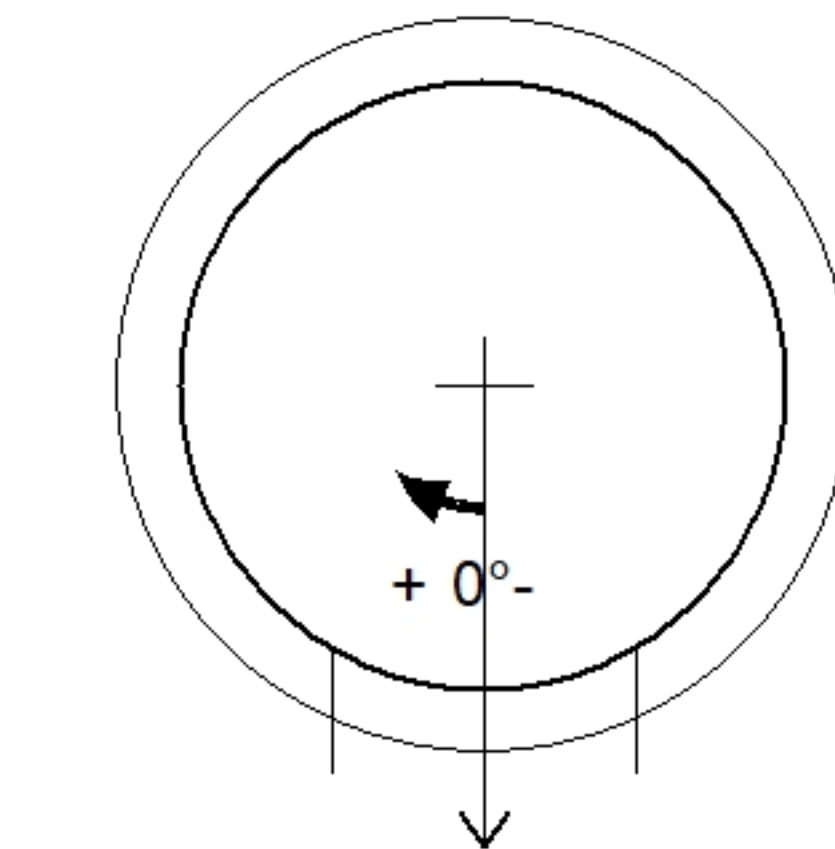
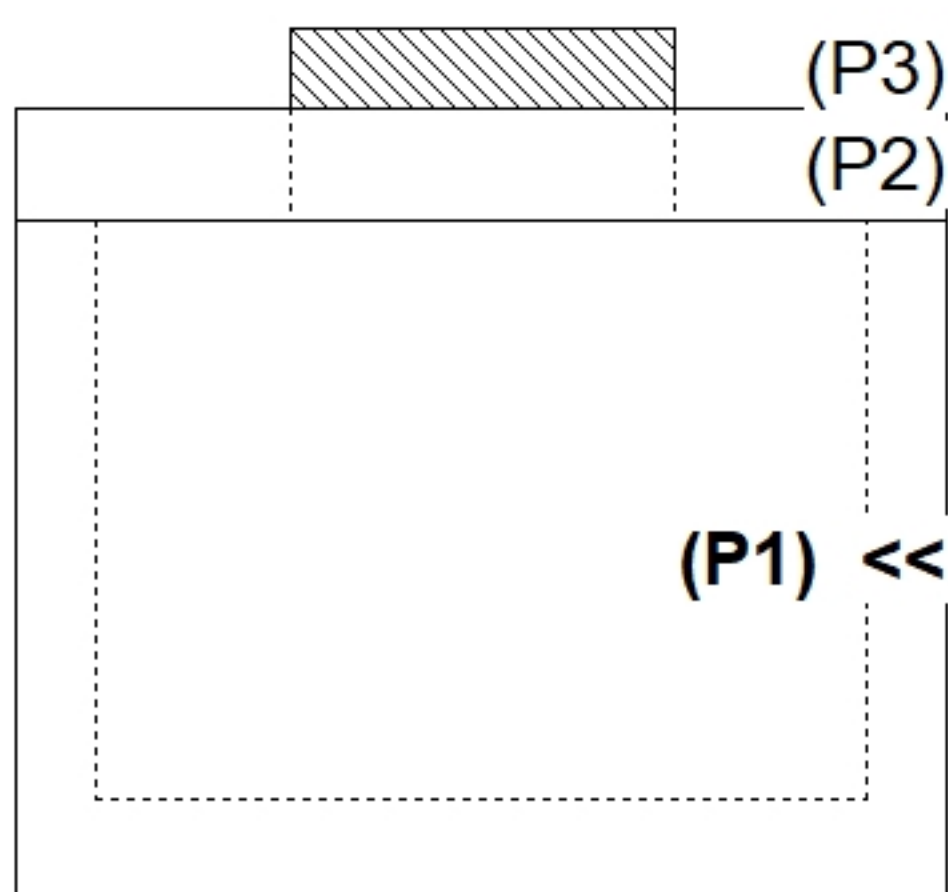
Structure Total: 5314 lb

Rim: 581.78' Rim to Invert: 4' Slack: 0" Sump: 0" Step Position:

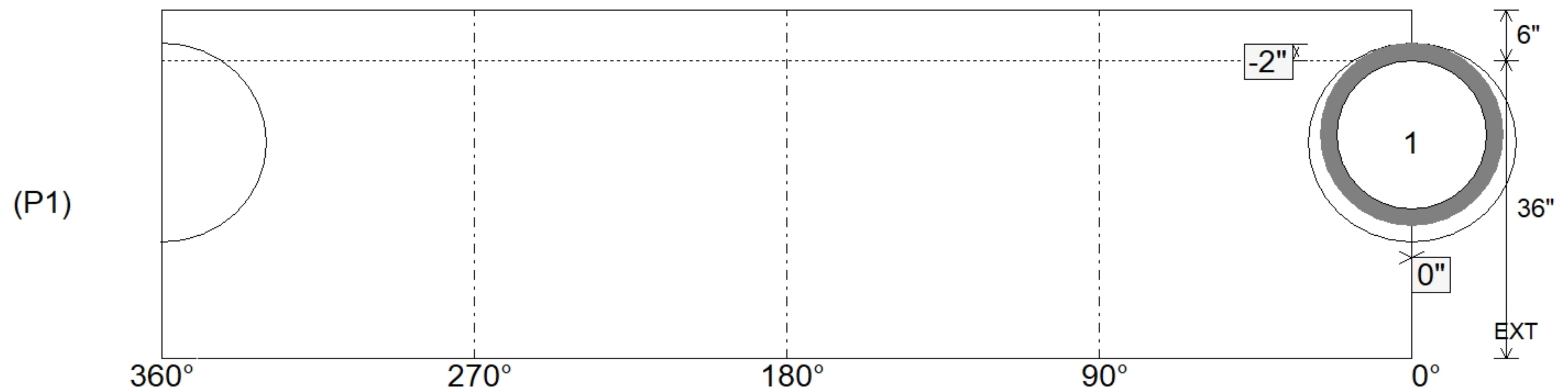
Position	Elev	Angle	Ext. (cw)	Pipe	Pipe OD	Connector	Hole	Horz Size	Up ()	Offset
Invert 1	577.78'	0°	0"	18" ADS N-12	22"	Hole 24	24"	25.133", 3.175"	-2"	0"
Invert 2										
Invert 3										
Invert 4										
Invert 5										
Invert 6										
Invert 7										
Invert 8										

RIGHT-SIDE UP VIEW (int. dimensions)

UPSIDE-DOWN VIEW (int. dimensions)



INSIDE WALL DIMENSIONS



Coating (Int):	Seam Up: Flat Seam Dn: n/a	Wall Thickness: 5" Floor Height: 6"	Height (Int): 36" Height (Ext): 42"
Coating (Ext):			Weight (Net): 3635 lb Volume (Net): 0.93cu.yd