

**Job Name: 25-3170 - Publix BG**  
**Job Location: Bowling Green, KY**  
**Contractor: Scotty's Contracting & Stone, LLC**

PC: C. Goff  
 TECH: K. Cardwell  
 Plant: Beaver Dam, KY



Structure ID: CBI6  
 Spec: Storm  
 Type: STM.MH  
 Size: 48"

Rim: 580.28'  
 Invert: 572.87'  
 Rim to Invert: 7.41'

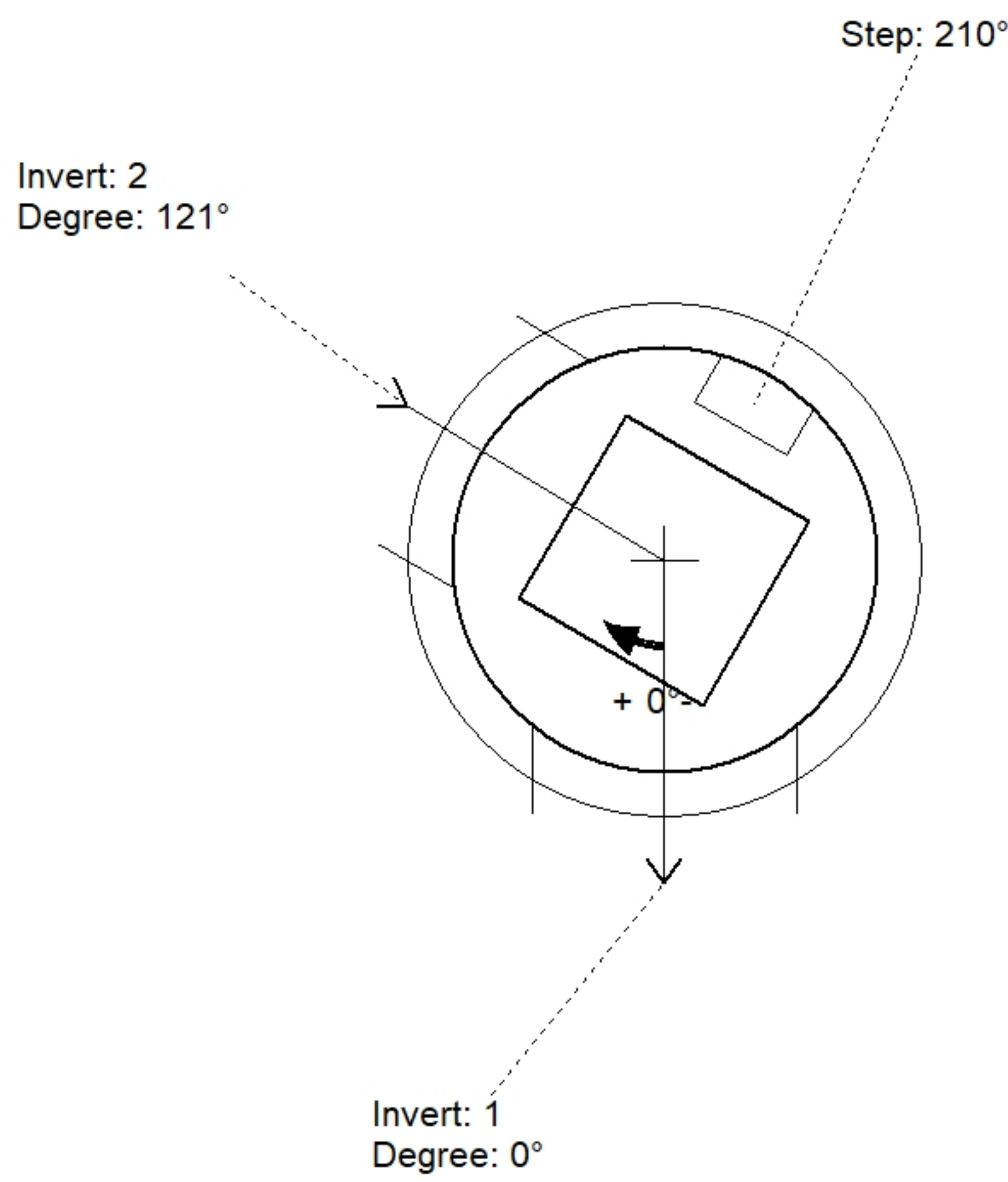
Sump: 2"  
 Floor (Top): 572.703'  
 Floor Height: 6"

Floor (Bot): 572.203'  
 Overall Height: 7.917'  
 Slack: 1.92"

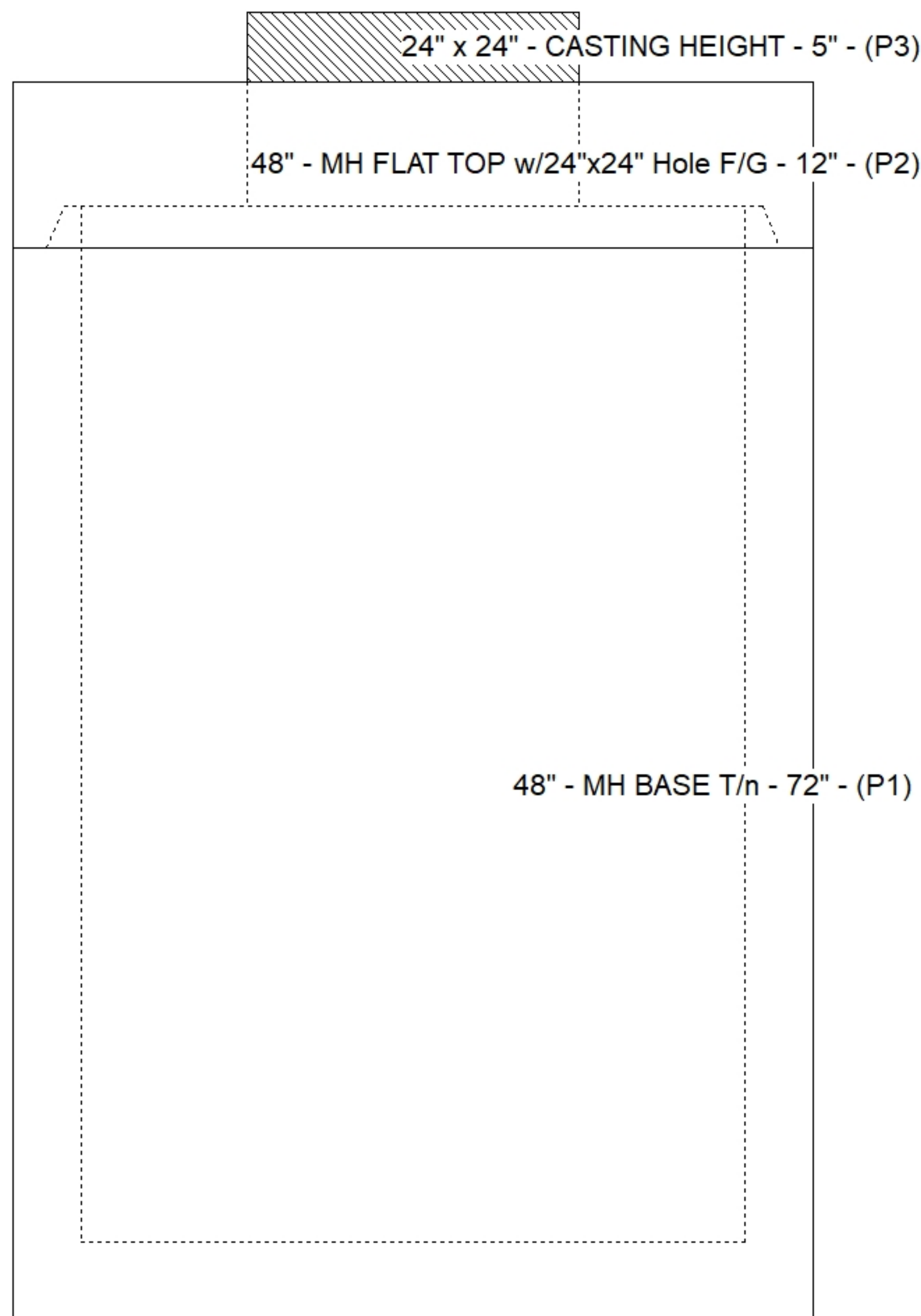
- Structure Notes:**  
 PLAN LABEL: CBI 6  
 1. PER ASTM C-478 SPECS  
 2. CONCRETE: 4,000 PSI AT 28 DAYS  
 3. REINFORCEMENT:  
 - FLAT LID: #4 BAR @ 10" C.C. E.W. (GRADE 60)  
 - BASE: PER ASTM A615  
 4. STEPS AT 210 DEGREES  
 5. KY 465 FRAME, GRATE, & CURB BOX SUPPLIED BY ICAST

**STRUCTURE SUMMARY:**

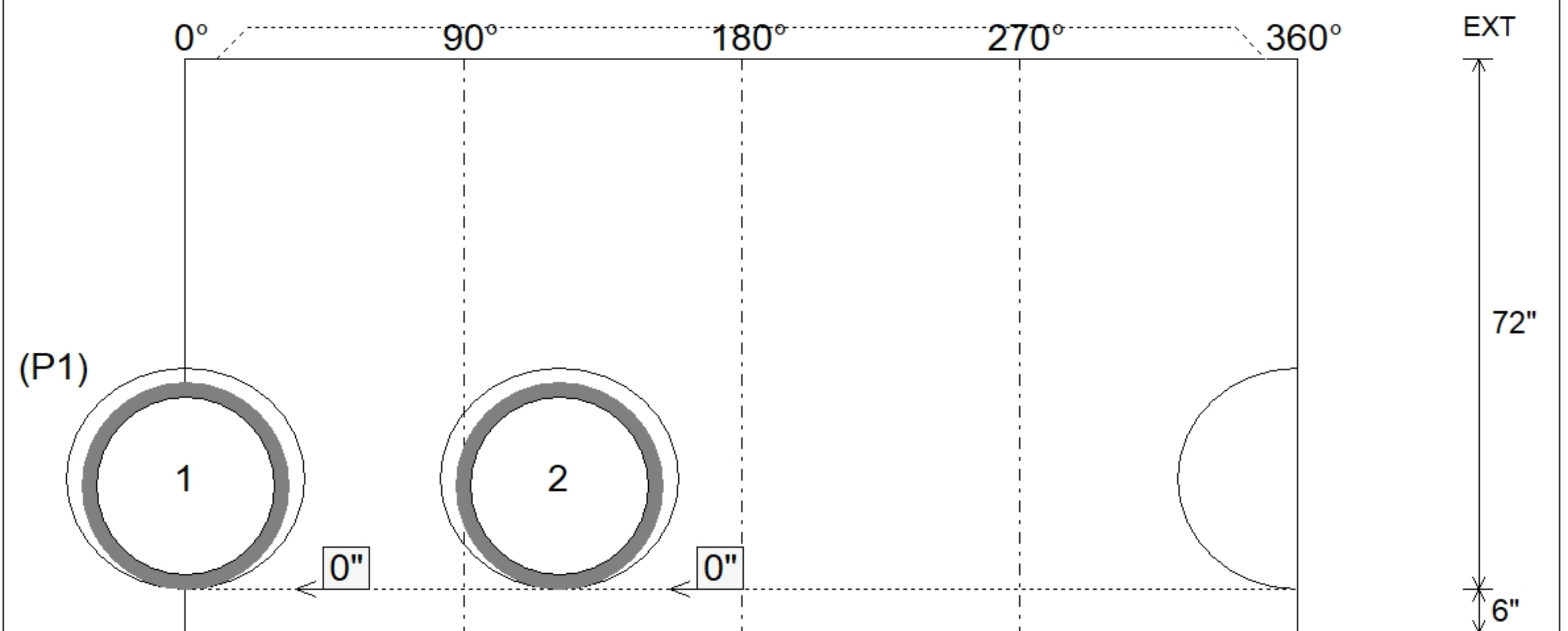
P3) 24" x 24" - CASTING HEIGHT - 5"	0 lb
P2) 48" - MH FLAT TOP w/24"x24" Hole F/G - 12"	1500 lb
P1) 48" - MH BASE T/n - 72"	5728 lb
1) CASTING - HOE KY-465 SET (CBI TY F)	465 lb
1) 48" - Conseal CS-102 1.00"	0 lb
1) 24" x 24" - Conseal CS-102 1.00"	0 lb
2) Hole - 30	0 lb
6) MH Step ML-10-TDS-NCR - 10"	0 lb
<b>Structure Total:</b>	<b>7693 lb</b>



Position	Elev	Angle	Pipe	Pipe OD	Hole	Connector	Up (")	Ref
Rim	580.28'							
Reducer								
Invert 1	572.87'	0°	24" ADS N-12	28"	30"	Hole 30	0"	P1
Invert 2	572.87'	121°	24" ADS N-12	28"	30"	Hole 30	0"	P1
Invert 3								
Invert 4								
Invert 5								
Invert 6								
Invert 7								
Invert 8								



**Cast (Int. Dim.) - Interior Dimensions**



Submittal Drawing  
 10/23/2025 7:20:18 AM

SUBMITTAL  
 APPROVED BY: