

Structure ID: CBI6

P1 MH048BA72

MH BASE T/n

P3) 24" x 24" - CASTING HEIGHT - 5" P2) 48" - MH FLAT TOP w/24"x24" Hole F/G - 12" P1) 48" - MH BASE T/n - 72" 1) CASTING - HOE KY-465 SET (CBI TY F) 1) 48" - Conseal CS-102 1.00" 1) 24" x 24" - Conseal CS-102 1.00" 2) Hole - 30 6) MH Step ML-10-TDS-NCR - 10"	0 lb 1500 lb 5728 lb 465 lb 0 lb 0 lb 0 lb 0 lb 0 lb 0 lb ----- Structure Total: 7693 lb
--	---

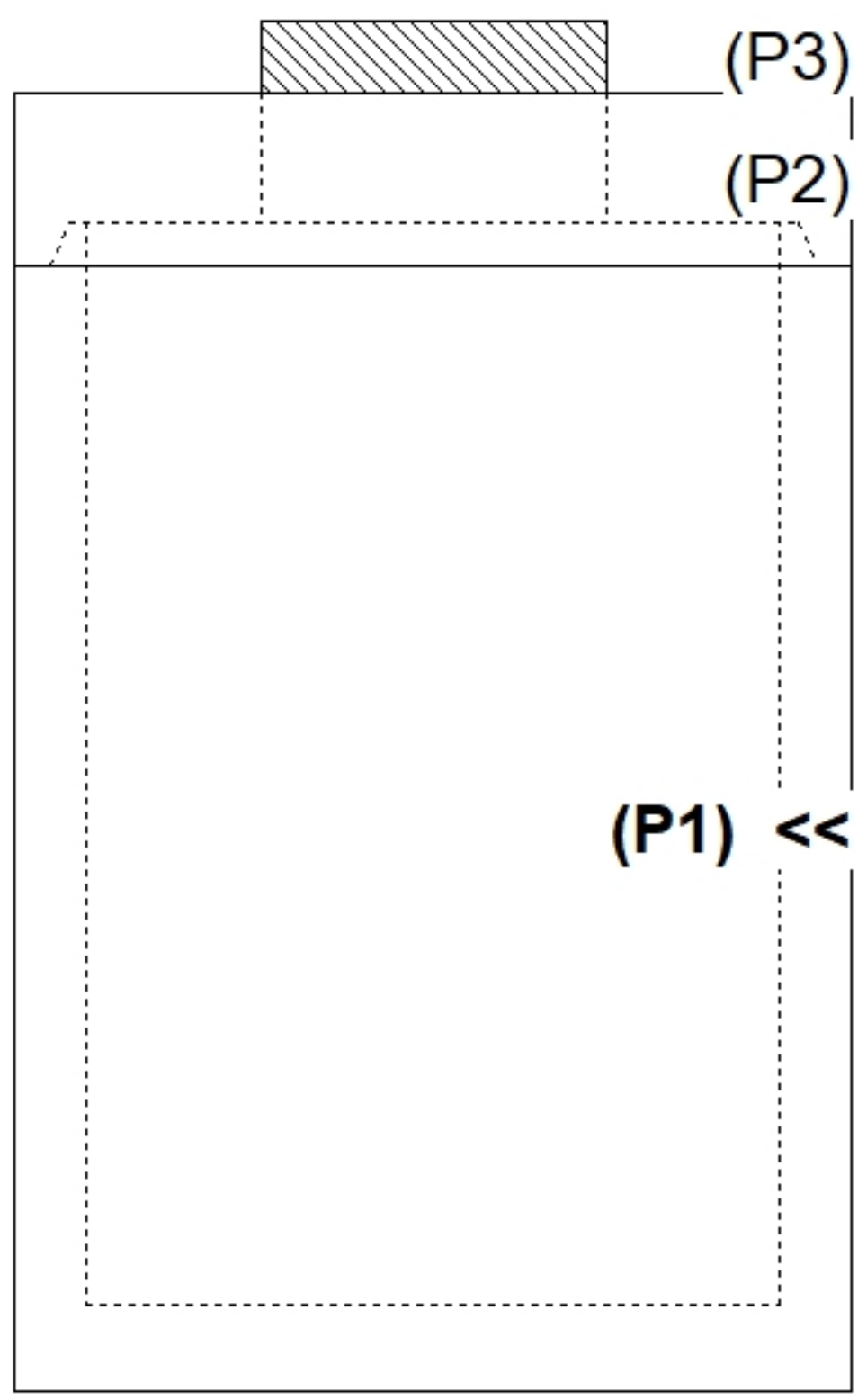
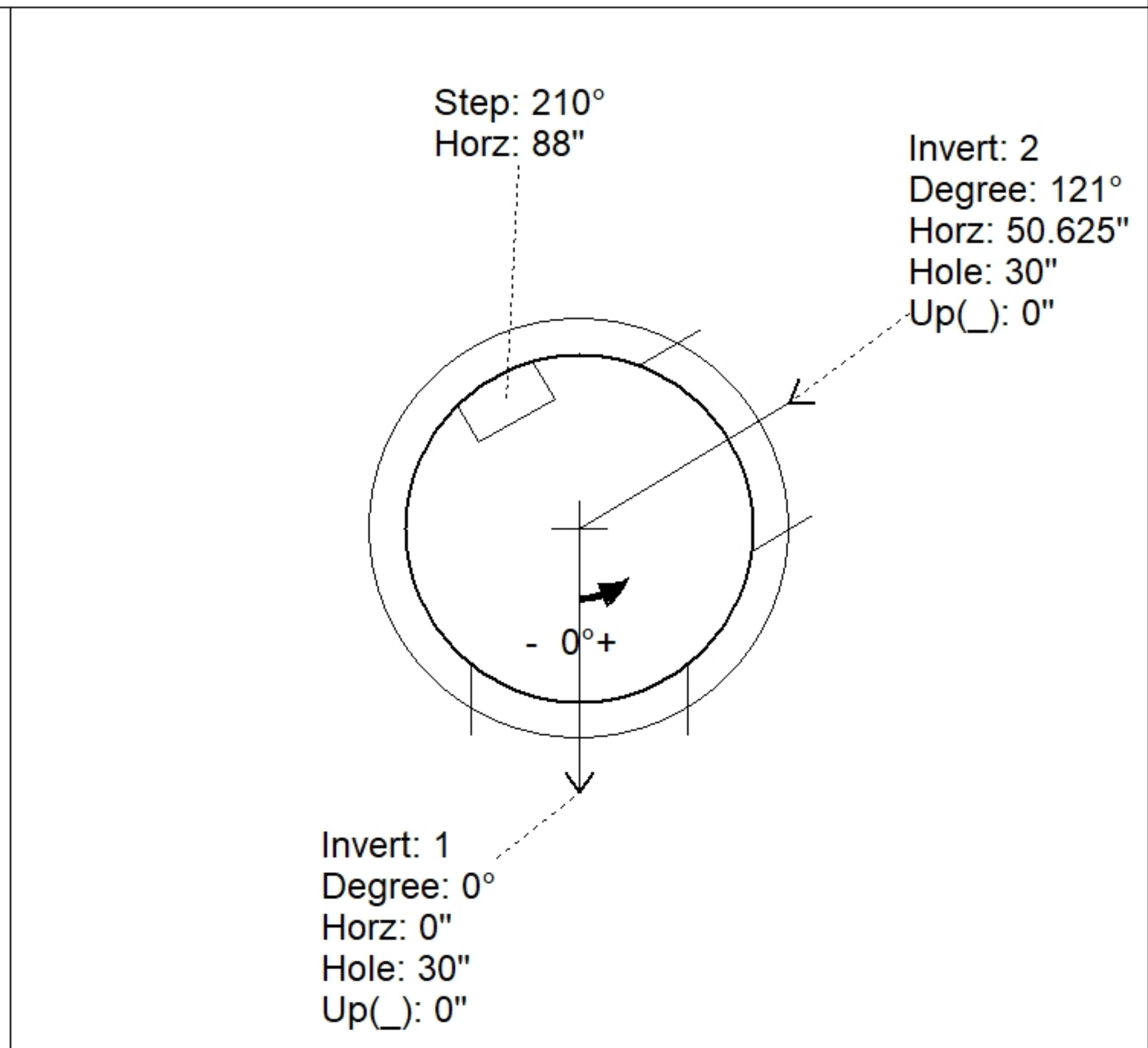
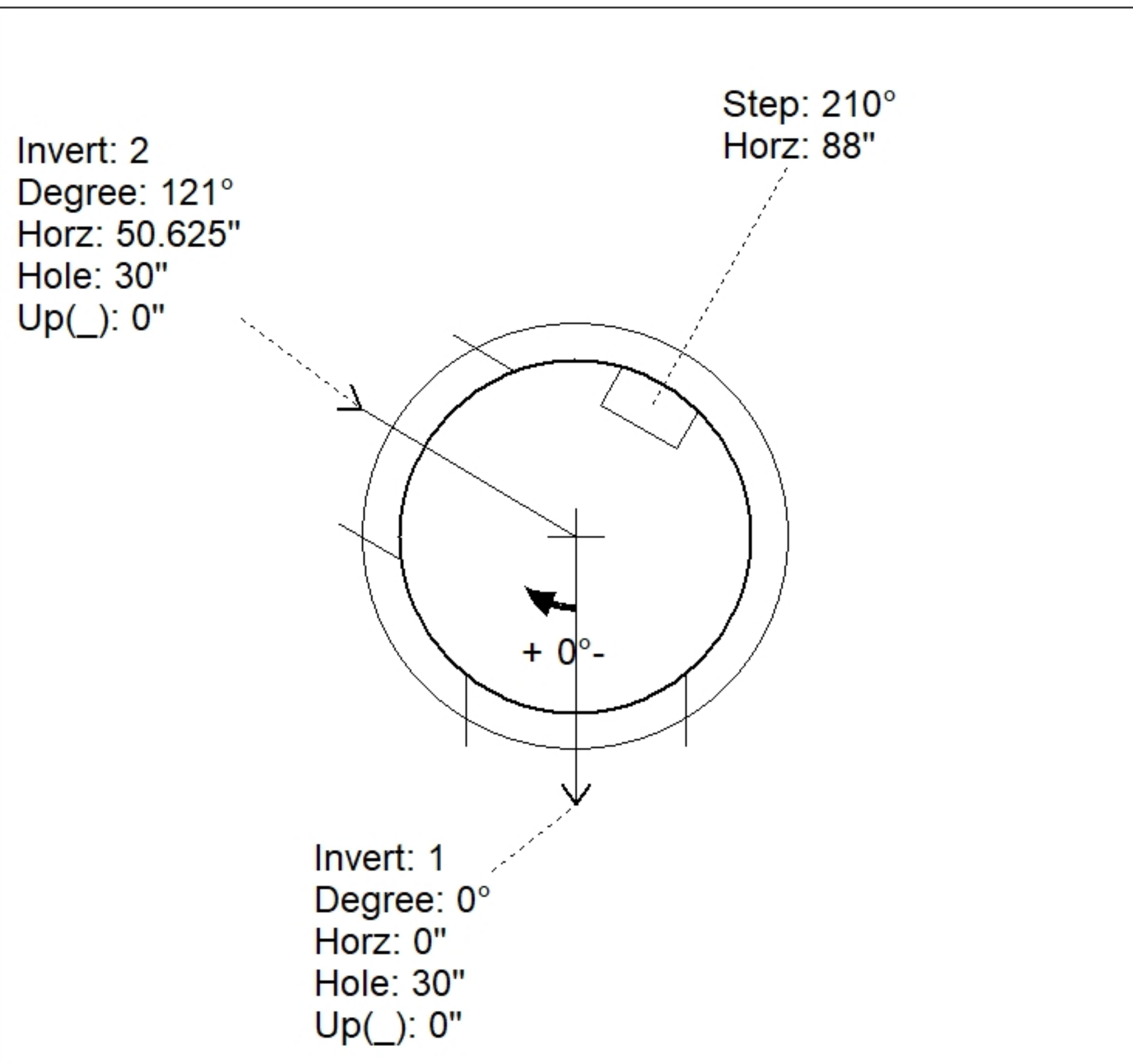
Structure Notes:
 PLAN LABEL: CBI 6
 1. PER ASTM C-478 SPECS
 2. CONCRETE: 4,000 PSI AT 28 DAYS
 3. REINFORCEMENT:
 - FLAT LID: #4 BAR @ 10" C.C. E.W. (GRADE 60)
 - BASE: PER ASTM A615
 4. STEPS AT 210 DEGREES
 5. KY 465 FRAME, GRATE, & CURB BOX SUPPLIED BY ICAST

Rim: 580.28' Rim to Invert: 7.41' Slack: 1.92" Sump: 2" Step Position: 210

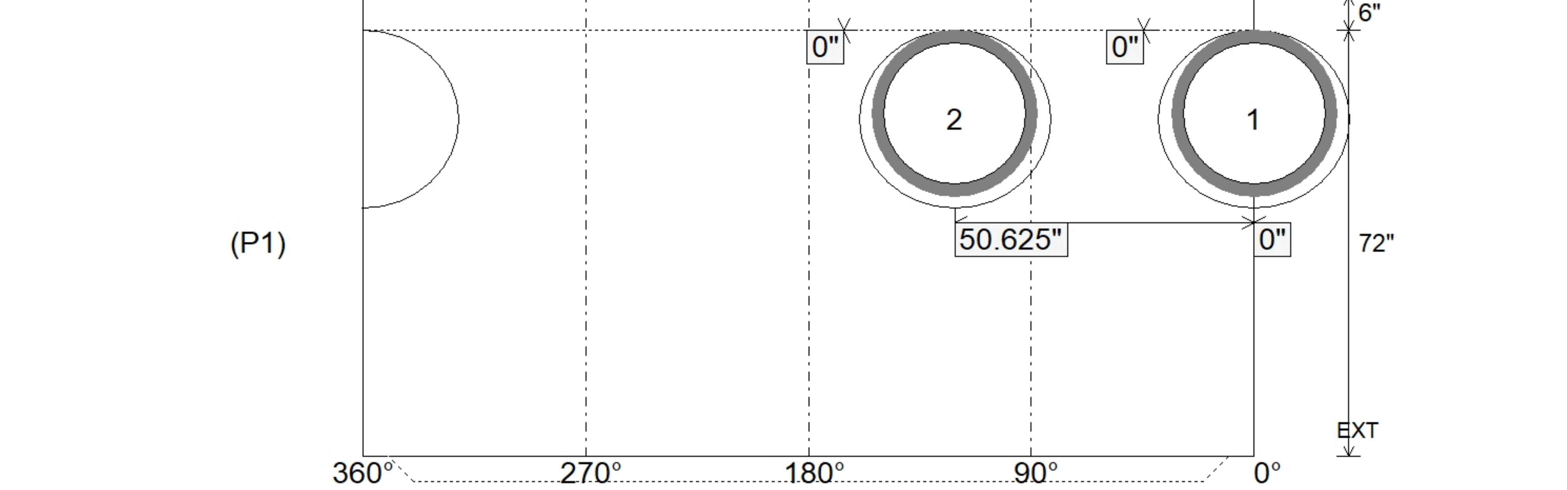
Position	Elev	Angle	Ext. (cw)	Pipe	Pipe OD	Connector	Hole	Horz Size	Up ()	Offset
Invert 1	572.87'	0°	0"	24" ADS N-12	28"	Hole 30	30"	32.406"	0"	0"
Invert 2	572.87'	121°	61.25"	24" ADS N-12	28"	Hole 30	30"	32.406"	0"	0"
Invert 3										
Invert 4										
Invert 5										
Invert 6										
Invert 7										
Invert 8										

RIGHT-SIDE UP VIEW (int. dimensions)

UPSIDE-DOWN VIEW (int. dimensions)



INSIDE WALL DIMENSIONS



Coating (Int):	Seam Up: Tongue	Wall Thickness: 5"	Height (Int): 72"
Coating (Ext):	Seam Dn: n/a	Floor Height: 6"	Height (Ext): 78"
		Weight (Net): 5728 lb	
		Volume (Net): 1.46cu.yd	