

**Job Name: 25-3170 - Publix BG**  
**Job Location: Bowling Green, KY**  
**Contractor: Scotty's Contracting & Stone, LLC**

PC: C. Goff  
 TECH: K. Cardwell  
 Plant: Beaver Dam, KY



Structure ID: CBI5  
 Spec: Storm  
 Type: STM.MH (Recessed pipe)  
 Size: 48"

Rim: 576.38'  
 Invert: 570.07'  
 Rim to Invert: 6.31'

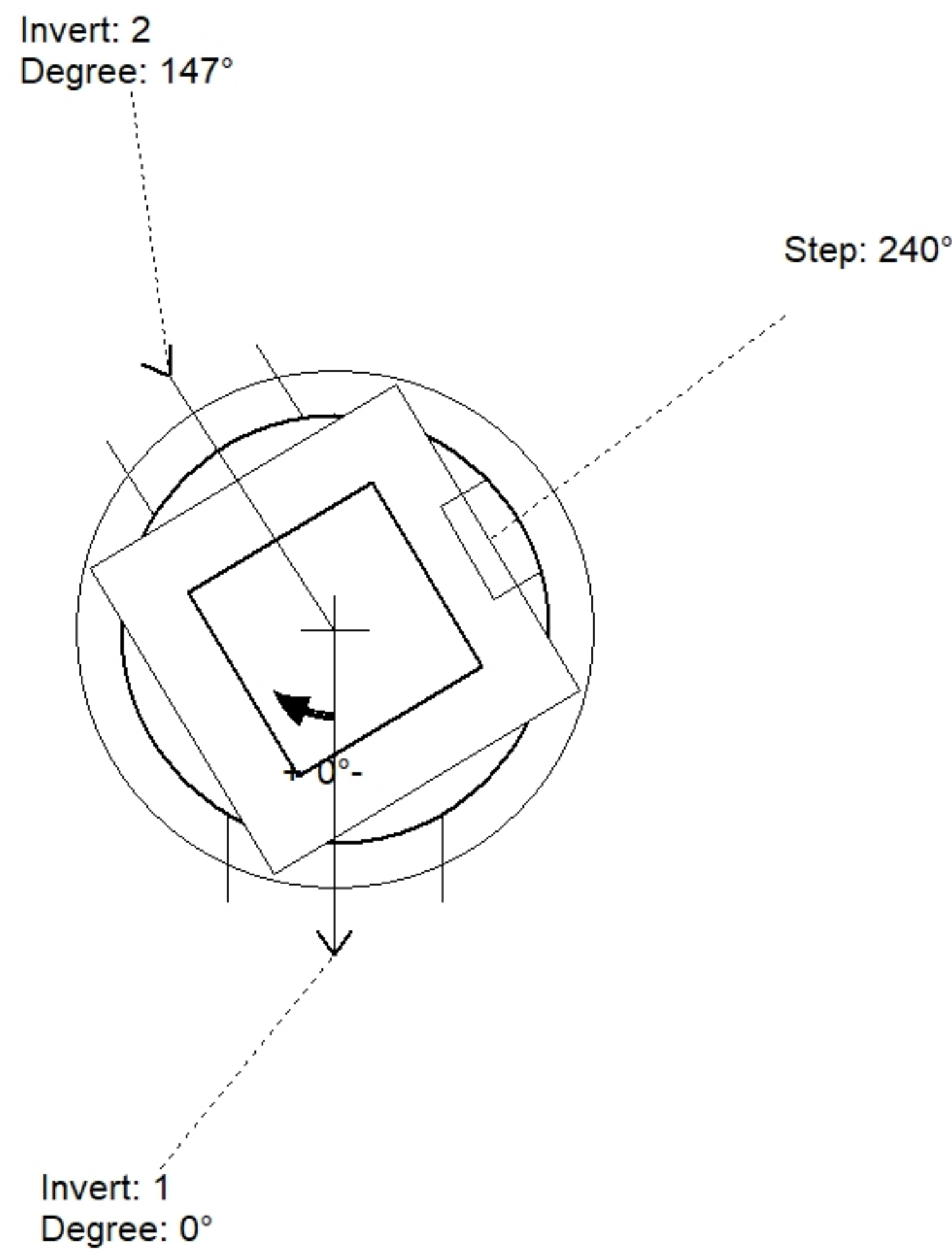
Sump: 0"  
 Floor (Top): 570.07'  
 Floor Height: 6"

Floor (Bot): 569.57'  
 Overall Height: 6.667'  
 Slack: 1.72"

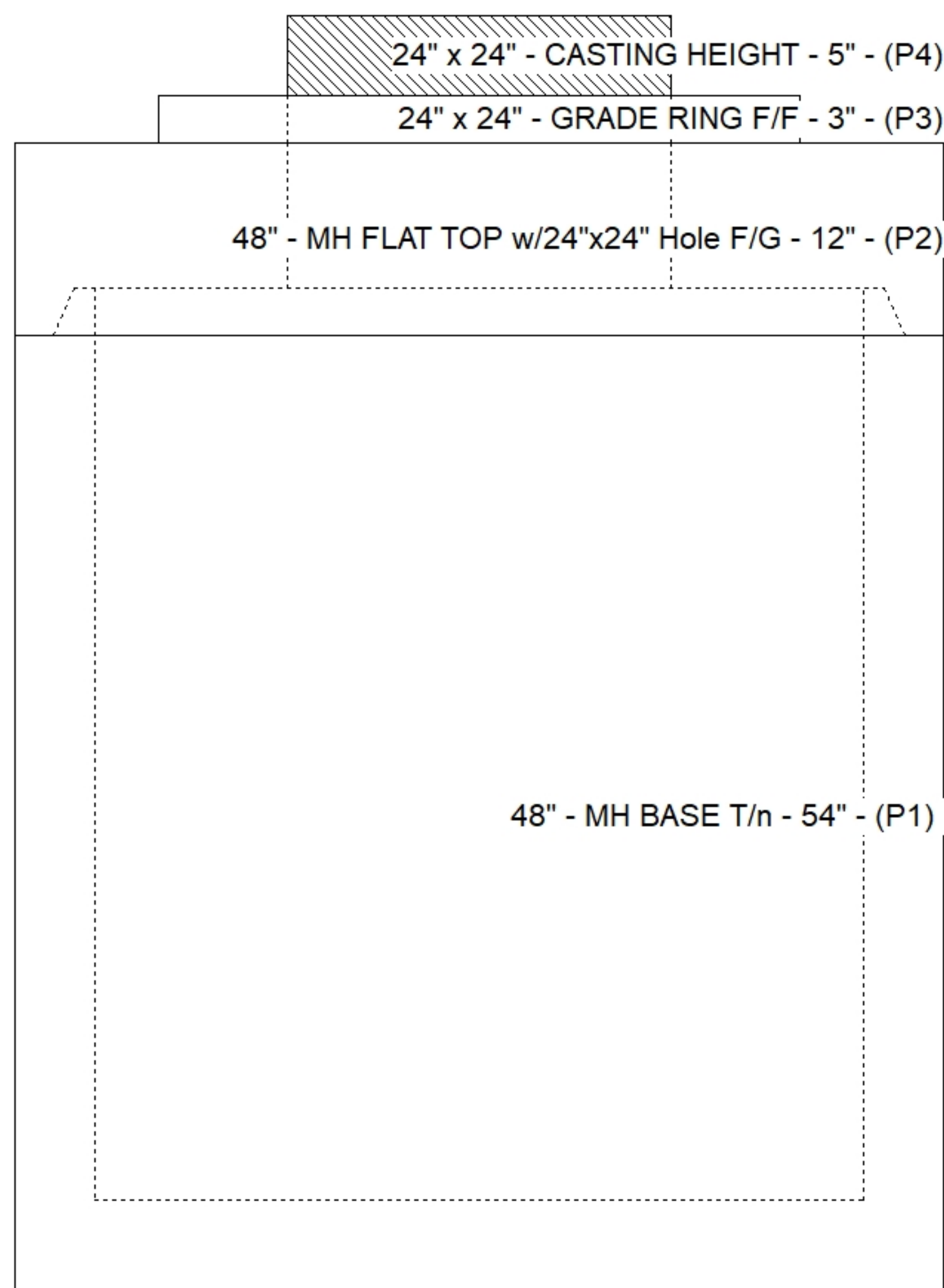
- Structure Notes:**  
 PLAN LABEL: CBI 5
- PER ASTM C-478 SPECS
  - CONCRETE: 4,000 PSI AT 28 DAYS
  - REINFORCEMENT:
    - FLAT LID: #4 BAR @ 10" C.C. E.W. (GRADE 60)
    - BASE: PER ASTM A615
  - STEPS AT 240 DEGREES
  - KY 465 FRAME, GRATE, & CURB BOX SUPPLIED BY ICAST

**STRUCTURE SUMMARY:**

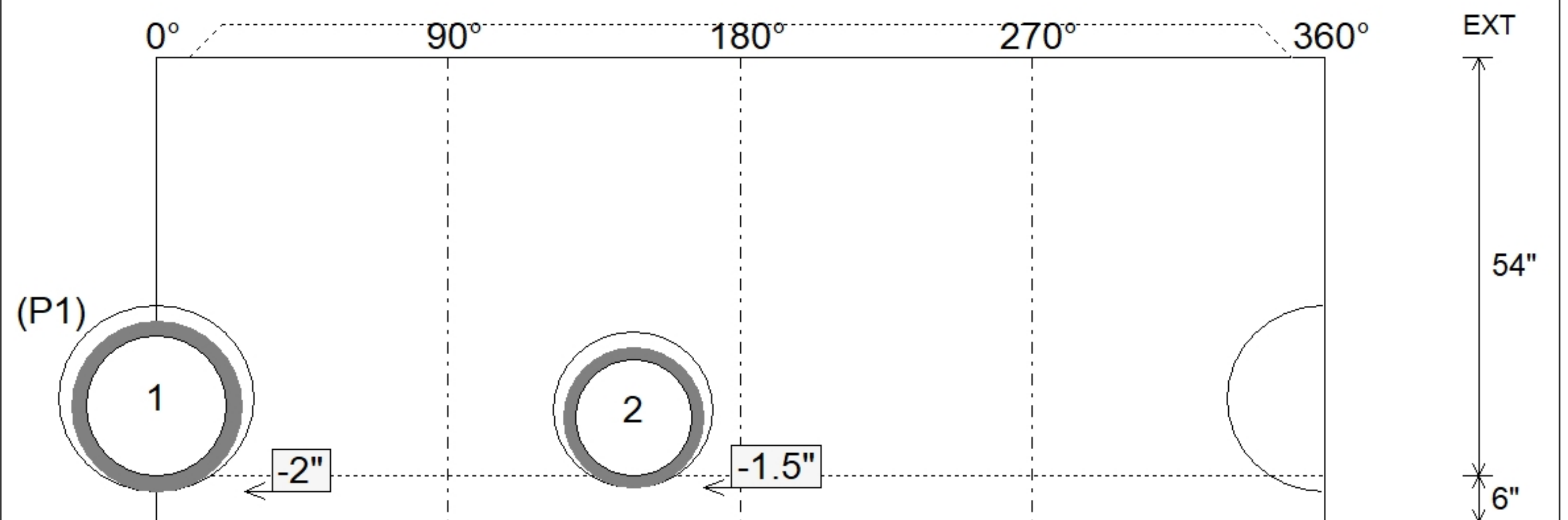
P4) 24" x 24" - CASTING HEIGHT - 5"	0 lb
P3) 24" x 24" - GRADE RING F/F - 3"	258 lb
P2) 48" - MH FLAT TOP w/24"x24" Hole F/G - 12"	2080 lb
P1) 48" - MH BASE T/n - 54"	4770 lb
1) CASTING - HOE KY-465 SET (CBI TY F)	465 lb
1) 48" - Conseal CS-102 1.00"	0 lb
2) 24" x 24" - Conseal CS-102 1.00"	0 lb
1) Hole - 24	0 lb
1) Hole - 20	0 lb
5) MH Step ML-10-TDS-NCR - 10"	0 lb
<b>Structure Total:</b>	<b>7573 lb</b>



Position	Elev	Angle	Pipe	Pipe OD	Hole	Connector	Up (")	Ref
Rim	576.38'							
Reducer								
Invert 1	570.07'	0°	18" ADS N-12	22"	24"	Hole 24	-2"	P1
Invert 2	570.07'	147°	15" ADS N-12	18"	20"	Hole 20	-1.5"	P1
Invert 3								
Invert 4								
Invert 5								
Invert 6								
Invert 7								
Invert 8								



**Cast (Int. Dim.) - Interior Dimensions**



Submittal Drawing  
 10/23/2025 7:20:15 AM

SUBMITTAL  
 APPROVED BY: