

**Structure ID: CBI5**

**P1 MH048BA54**

**MH BASE T/n**

P4) 24" x 24" - CASTING HEIGHT - 5" P3) 24" x 24" - GRADE RING F/F - 3" P2) 48" - MH FLAT TOP w/24"x24" Hole F/G - 12" P1) 48" - MH BASE T/n - 54" 1) CASTING - HOE KY-465 SET (CBI TY F) 1) 48" - Conseal CS-102 1.00" 2) 24" x 24" - Conseal CS-102 1.00" 1) Hole - 24 1) Hole - 20 5) MH Step ML-10-TDS-NCR - 10"	0 lb 258 lb 2080 lb 4770 lb 465 lb 0 lb 0 lb 0 lb 0 lb 0 lb 0 lb ----- Structure Total: 7573 lb
---	---

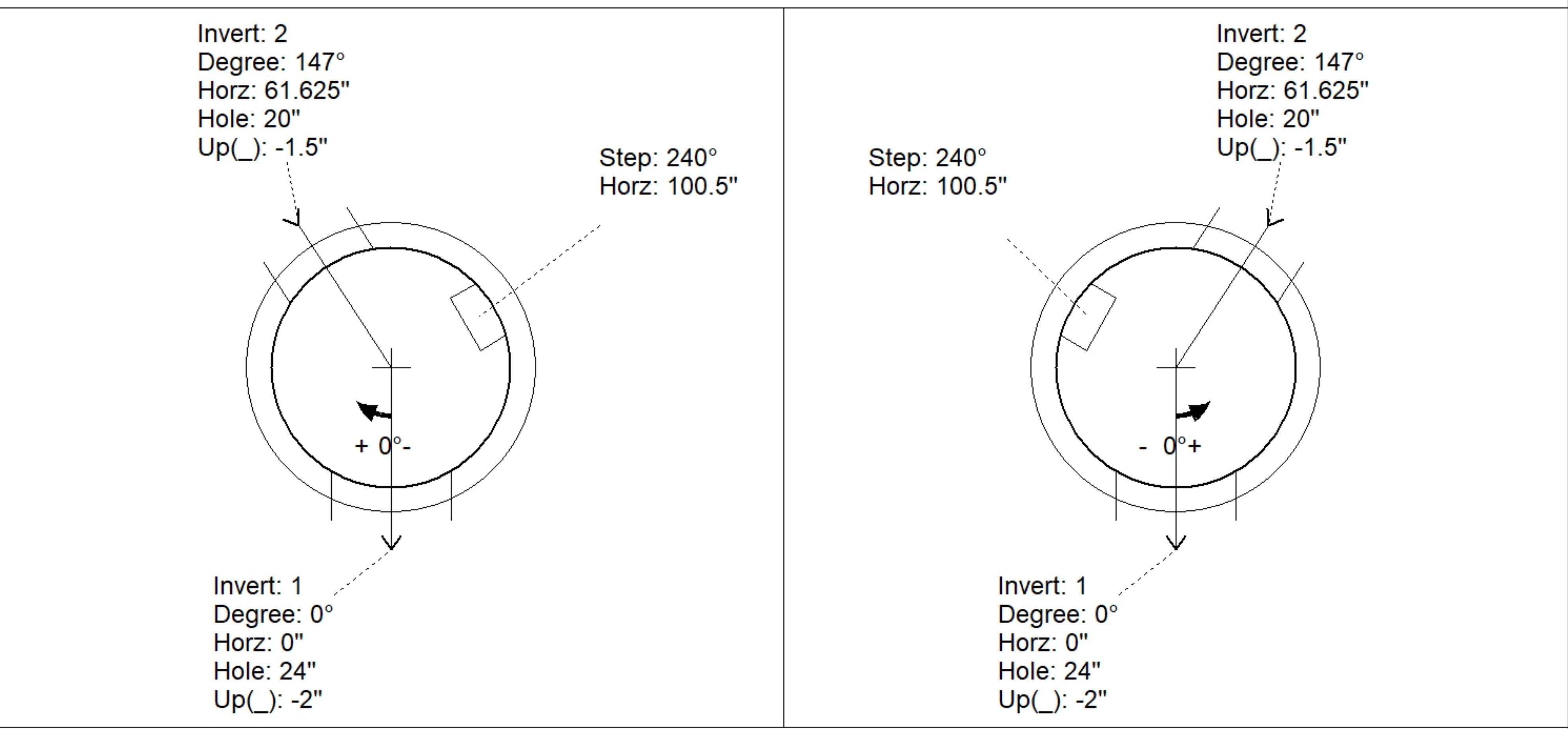
**Structure Notes:**  
 PLAN LABEL: CBI 5  
 1. PER ASTM C-478 SPECS  
 2. CONCRETE: 4,000 PSI AT 28 DAYS  
 3. REINFORCEMENT:  
 - FLAT LID: #4 BAR @ 10" C.C. E.W. (GRADE 60)  
 - BASE: PER ASTM A615  
 4. STEPS AT 240 DEGREES  
 5. KY 465 FRAME, GRATE, & CURB BOX SUPPLIED BY ICAST

Rim: 576.38'    Rim to Invert: 6.31'    Slack: 1.72"    Sump: 0"    Step Position: 240

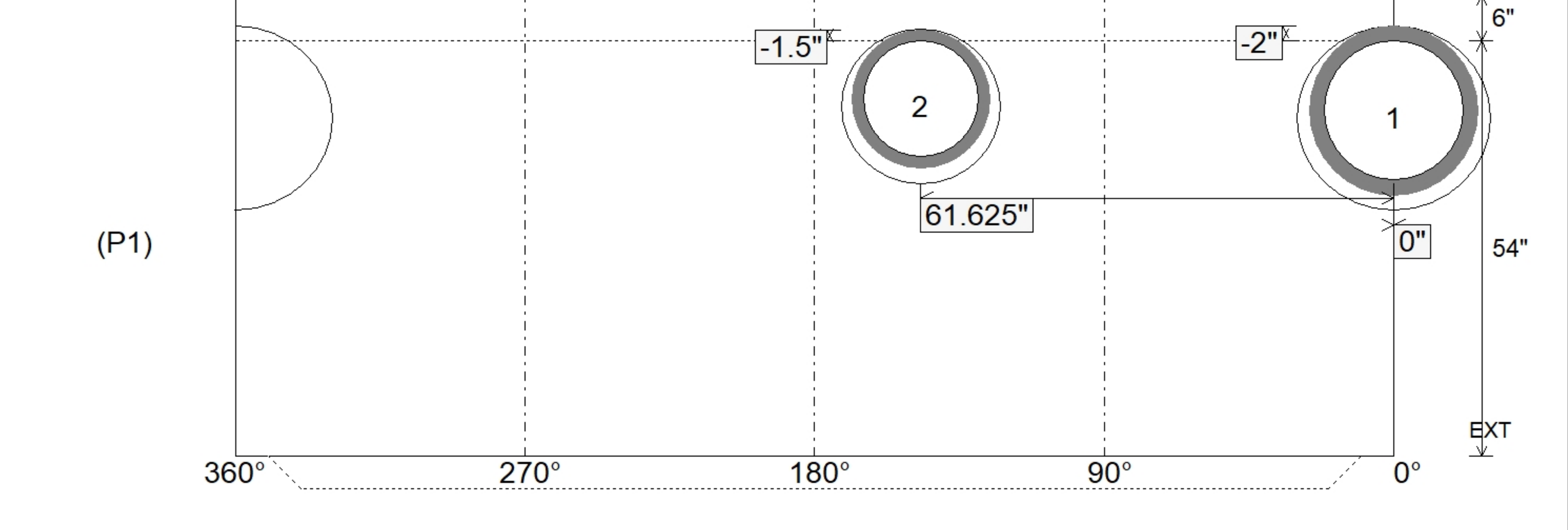
Position	Elev	Angle	Ext. (cw)	Pipe	Pipe OD	Connector	Hole	Horz Size	Up ( )	Offset
Invert 1	570.07'	0°	0"	18" ADS N-12	22"	Hole 24	24"	25.133"	-2"	0"
Invert 2	570.07'	147°	74.375"	15" ADS N-12	18"	Hole 20	20"	20.629"	-1.5"	0"
Invert 3										
Invert 4										
Invert 5										
Invert 6										
Invert 7										
Invert 8										

**RIGHT-SIDE UP VIEW (int. dimensions)**

**UPSIDE-DOWN VIEW (int. dimensions)**



**INSIDE WALL DIMENSIONS**



Coating (Int):	Seam Up: Tongue	Wall Thickness: 5"	Height (Int): 54"	Weight (Net): 4770 lb
Coating (Ext):	Seam Dn: n/a	Floor Height: 6"	Height (Ext): 60"	Volume (Net): 1.22cu.yd