

Structure ID: CBI4

P1 MH048BA54

MH BASE T/n

- P3) 24" x 24" - CASTING HEIGHT - 5"
- P2) 48" - MH FLAT TOP w/24"x24" Hole F/G - 12"
- P1) 48" - MH BASE T/n - 54"
- 1) CASTING - HOE KY-465 SET (CBI TY F)
- 1) 48" - Conseal CS-102 1.00"
- 1) 24" x 24" - Conseal CS-102 1.00"
- 1) Hole - 30
- 1) Hole - 24
- 4) MH Step ML-10-TDS-NCR - 10"

0 lb
 1500 lb
 4589 lb
 465 lb
 0 lb
 0 lb
 0 lb
 0 lb
 0 lb
 0 lb
 0 lb
 Structure Total: 6554 lb

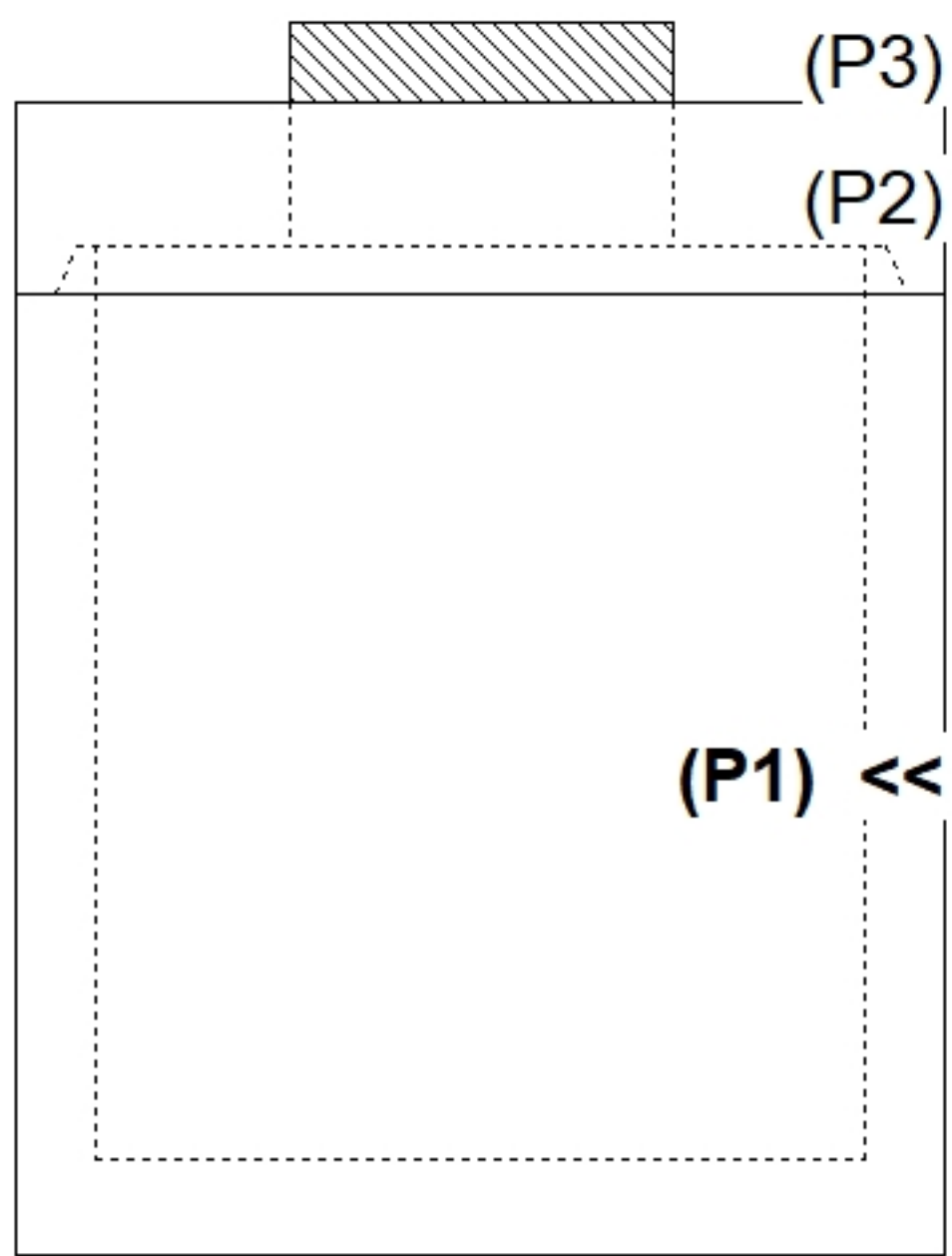
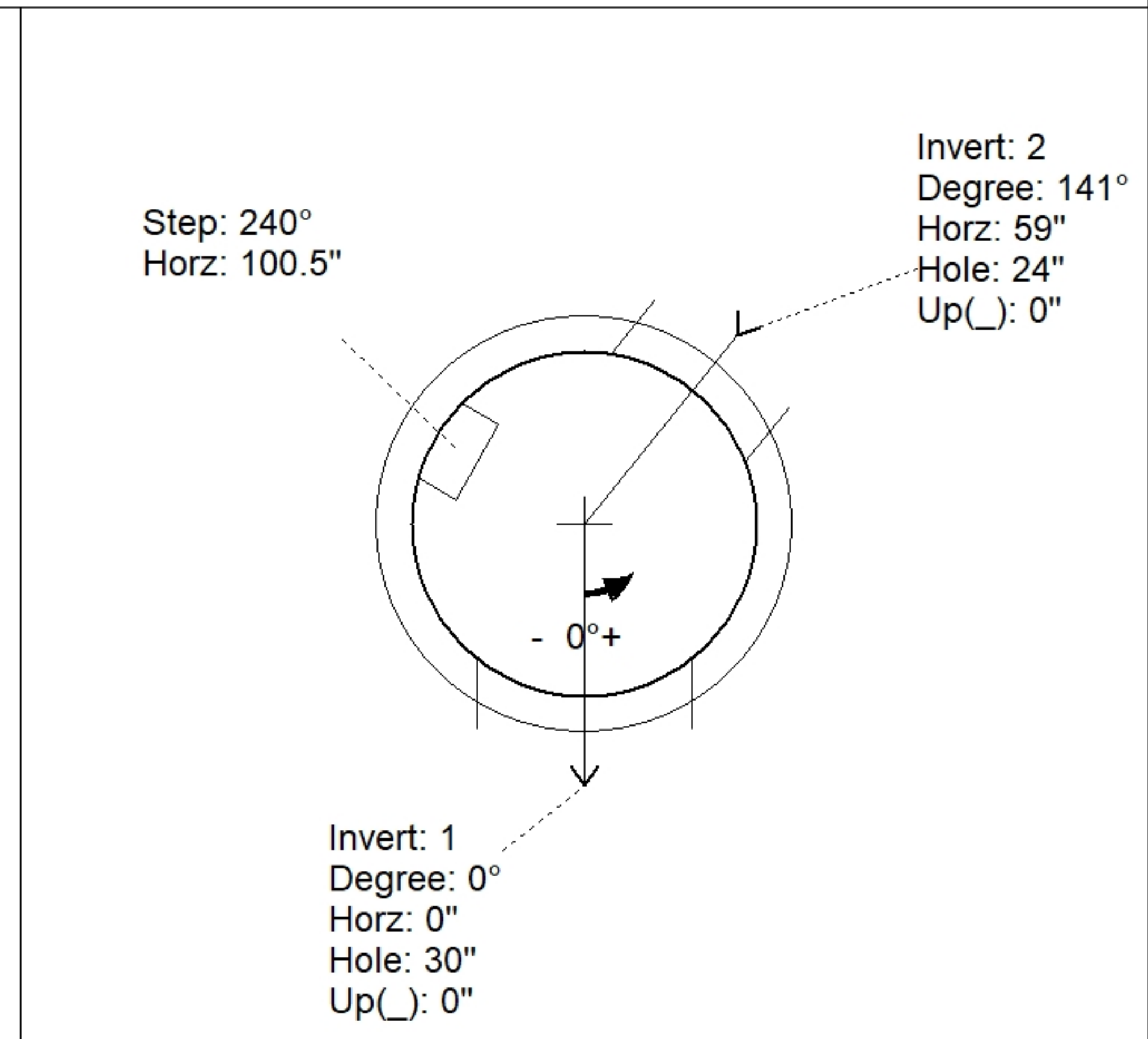
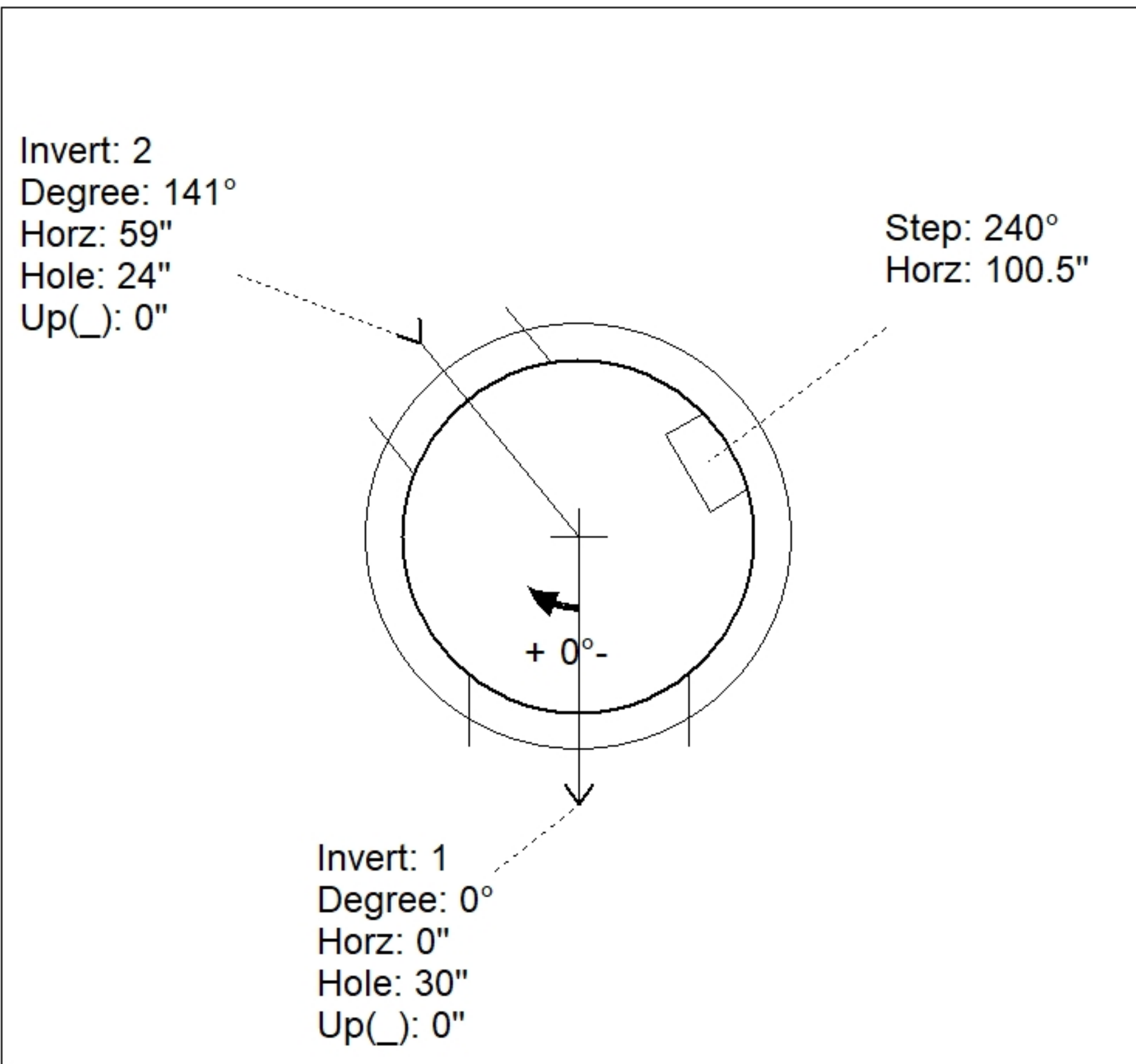
Structure Notes:
 PLAN LABEL: CBI 4
 1. PER ASTM C-478 SPECS
 2. CONCRETE: 4,000 PSI AT 28 DAYS
 3. REINFORCEMENT:
 - FLAT LID: #4 BAR @ 10" C.C. E.W. (GRADE 60)
 - BASE: PER ASTM A615
 4. STEPS AT 240 DEGREES
 5. KY 465 FRAME, GRATE, & CURB BOX SUPPLIED BY ICAST

Rim: 574.96' Rim to Invert: 5.78' Slack: 0.36" Sump: 2" Step Position: 240°

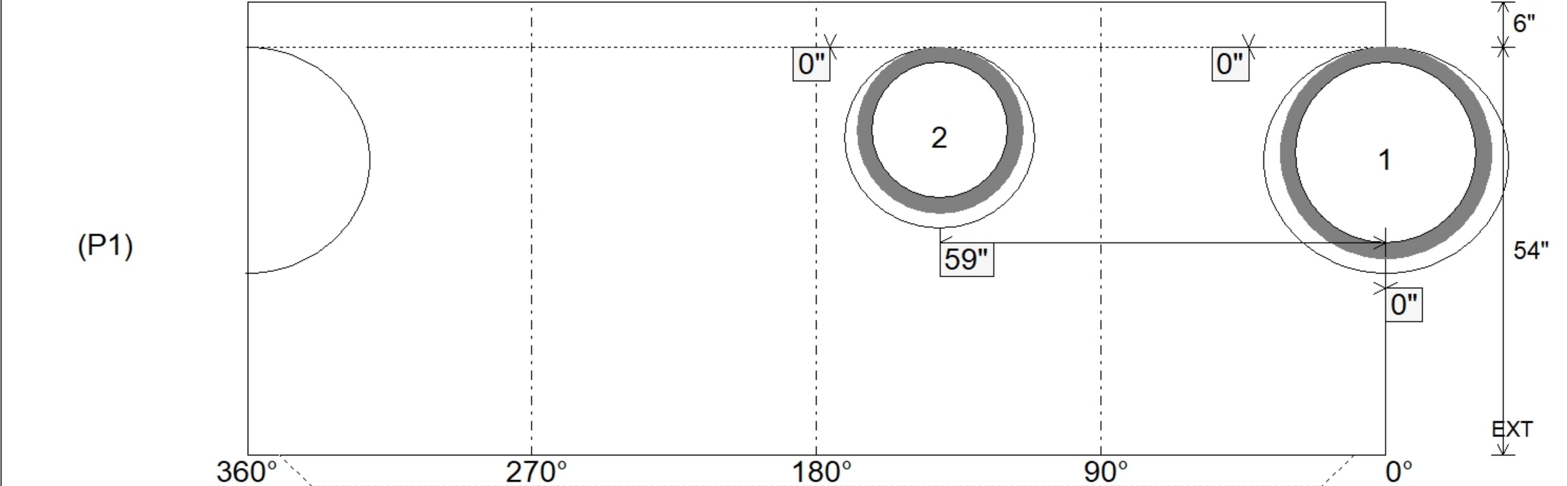
Position	Elev	Angle	Ext. (cw)	Pipe	Pipe OD	Connector	Hole	Horz Size	Up ()	Offset
Invert 1	569.18'	0°	0"	24" ADS N-12	28"	Hole 30	30"	32.406"	0"	0"
Invert 2	569.18'	141°	71.375"	18" ADS N-12	22"	Hole 24	24"	25.133"	0"	0"
Invert 3										
Invert 4										
Invert 5										
Invert 6										
Invert 7										
Invert 8										

RIGHT-SIDE UP VIEW (int. dimensions)

UPSIDE-DOWN VIEW (int. dimensions)



INSIDE WALL DIMENSIONS



Coating (Int): Coating (Ext):	Seam Up: Tongue Seam Dn: n/a	Wall Thickness: 5" Floor Height: 6"	Height (Int): 54" Height (Ext): 60"	Weight (Net): 4589 lb Volume (Net): 1.17cu.yd
----------------------------------	---------------------------------	--	--	--