

Job Name: 25-3170 - Publix BG
Job Location: Bowling Green, KY
Contractor: Scotty's Contracting & Stone, LLC

PC: C. Goff
 TECH: K. Cardwell
 Plant: Beaver Dam, KY



Structure ID: CBI3
 Spec: Storm
 Type: STM.MH
 Size: 60"

Rim: 573.49'
 Invert: 568.13'
 Rim to Invert: 5.36'

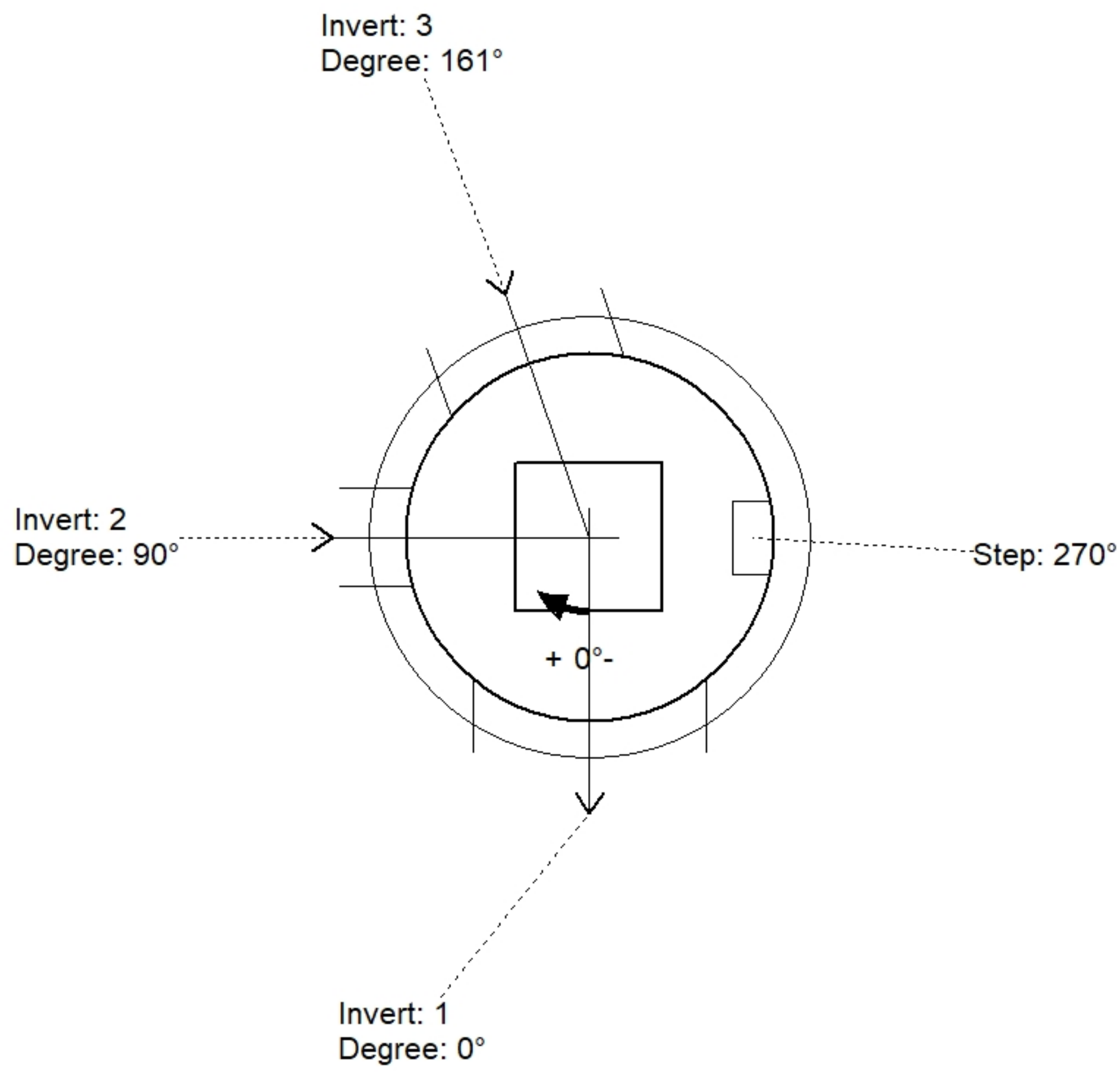
Sump: 2.55"
 Floor (Top): 567.918'
 Floor Height: 8"

Floor (Bot): 567.251'
 Overall Height: 6.167'
 Slack: 0.87"

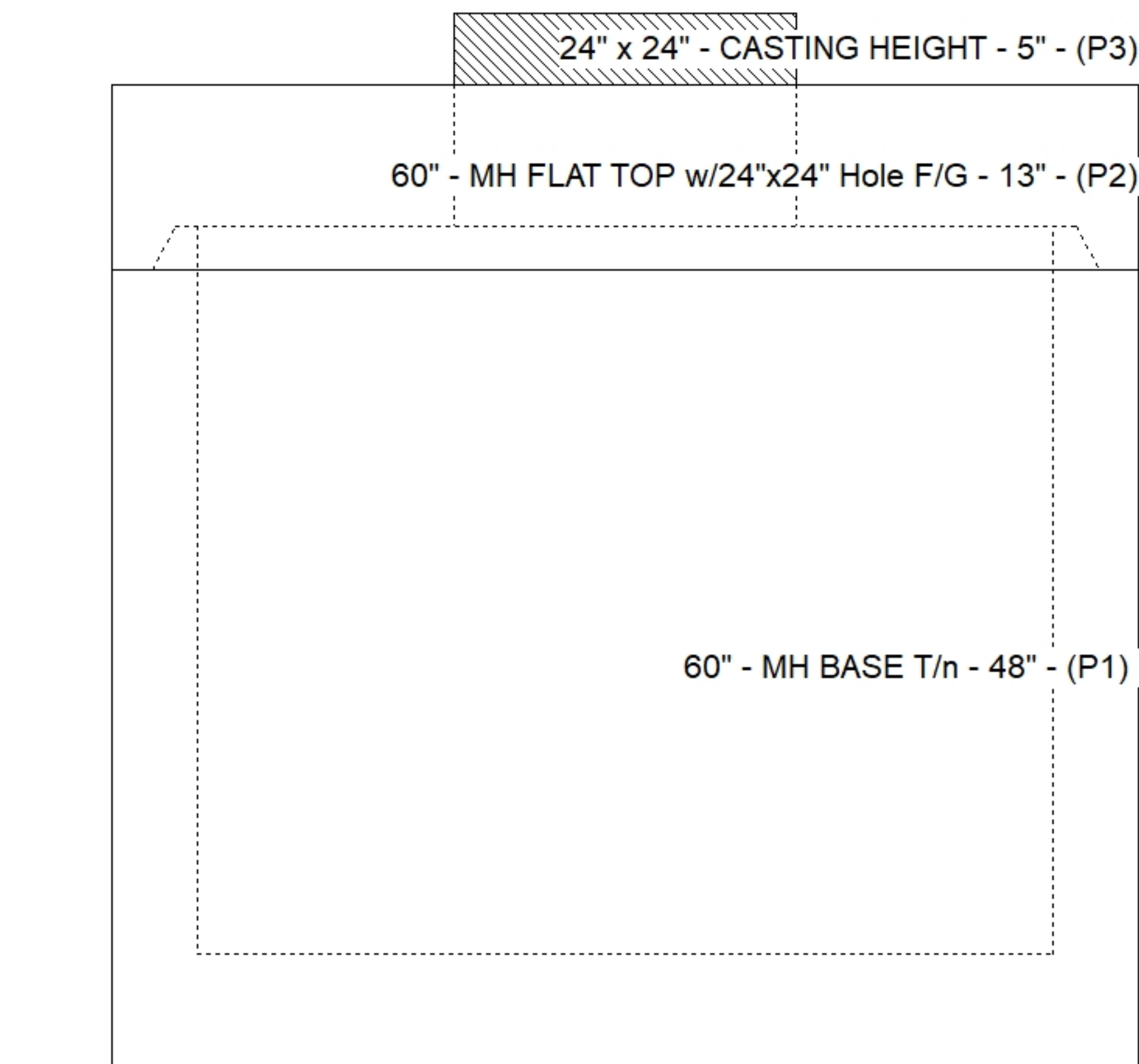
- Structure Notes:**
 PLAN LABEL: CBI 3
 1. PER ASTM C-478 SPECS
 2. CONCRETE: 4,000 PSI AT 28 DAYS
 3. REINFORCEMENT:
 - FLAT LID: #5 BAR @ 6" C.C. E.W. (GRADE 60)
 - BASE: PER ASTM A615
 4. STEPS AT 270 DEGREES
 5. KY 465 FRAME, GRATE, & CURB BOX SUPPLIED BY ICAST

STRUCTURE SUMMARY:

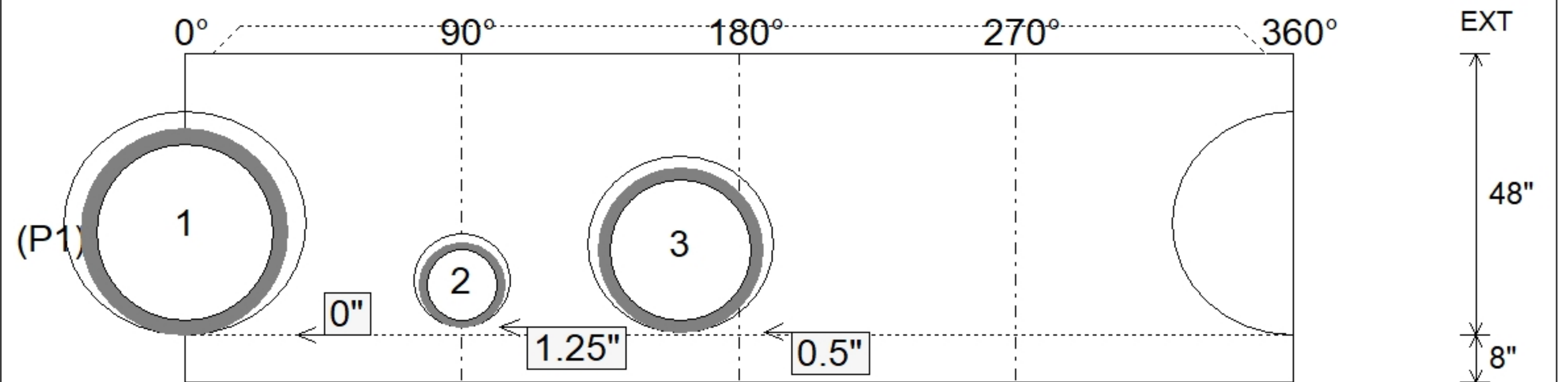
P3) 24" x 24" - CASTING HEIGHT - 5"	0 lb
P2) 60" - MH FLAT TOP w/24"x24" Hole F/G - 13"	2619 lb
P1) 60" - MH BASE T/n - 48"	6662 lb
1) CASTING - HOE KY-465 SET (CBI TY F)	465 lb
1) 60" - Conseal CS-102 1.00"	0 lb
1) 24" x 24" - Conseal CS-102 1.00"	0 lb
1) Hole - 38	0 lb
1) Hole - 16	0 lb
1) Hole - 30	0 lb
4) MH Step ML-10-TDS-NCR - 10"	0 lb
Structure Total:	9746 lb



Position	Elev	Angle	Pipe	Pipe OD	Hole	Connector	Up (")	Ref
Rim	573.49'							
Reducer								
Invert 1	568.13'	0°	30" ADS N-12	35.1"	38"	Hole 38	0"	P1
Invert 2	568.13'	90°	12" ADS N-12	14.5"	16"	Hole 16	1.25"	P1
Invert 3	568.13'	161°	24" ADS N-12	28"	30"	Hole 30	0.5"	P1
Invert 4								
Invert 5								
Invert 6								
Invert 7								
Invert 8								



Cast (Int. Dim.) - Interior Dimensions



Submittal Drawing
 10/23/2025 7:20:16 AM

SUBMITTAL
 APPROVED BY: