

**Structure ID: CBI1**

**P1 MH048BA72**

**MH BASE T/n**

P3) 24" x 24" - CASTING HEIGHT - 5" P2) 48" - MH FLAT TOP w/24"x24" Hole F/G - 12" P1) 48" - MH BASE T/n - 72" 1) CASTING - HOE KY-465 SET (CBI TY F) 1) 48" - Conseal CS-102 1.00" 1) 24" x 24" - Conseal CS-102 1.00" 1) Hole - 30 6) MH Step ML-10-TDS-NCR - 10"	0 lb 1500 lb 6044 lb 465 lb 0 lb 0 lb 0 lb 0 lb 0 lb 0 lb 8009 lb	<b>Structure Notes:</b> PLAN LABEL: CBI 1 1. PER ASTM C-478 SPECS 2. CONCRETE: 4,000 PSI AT 28 DAYS 3. REINFORCEMENT: - FLAT LID: #4 BAR @ 10" C.C. E.W. (GRADE 60) - BASE: PER ASTM A615 4. STEPS AT 205 DEGREES 5. KY 465 FRAME, GRATE, & CURB BOX SUPPLIED BY ICAST
--	---	--

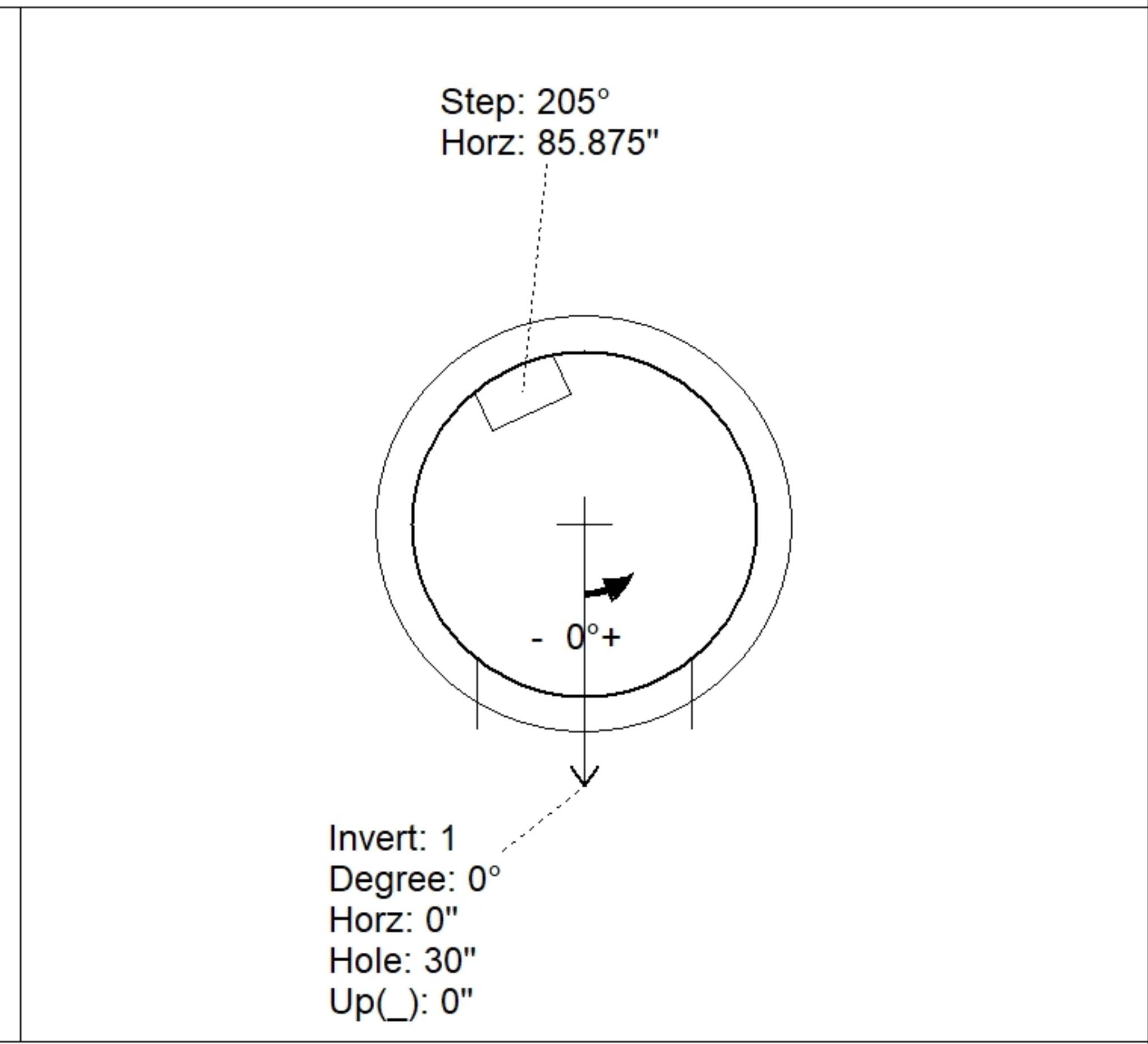
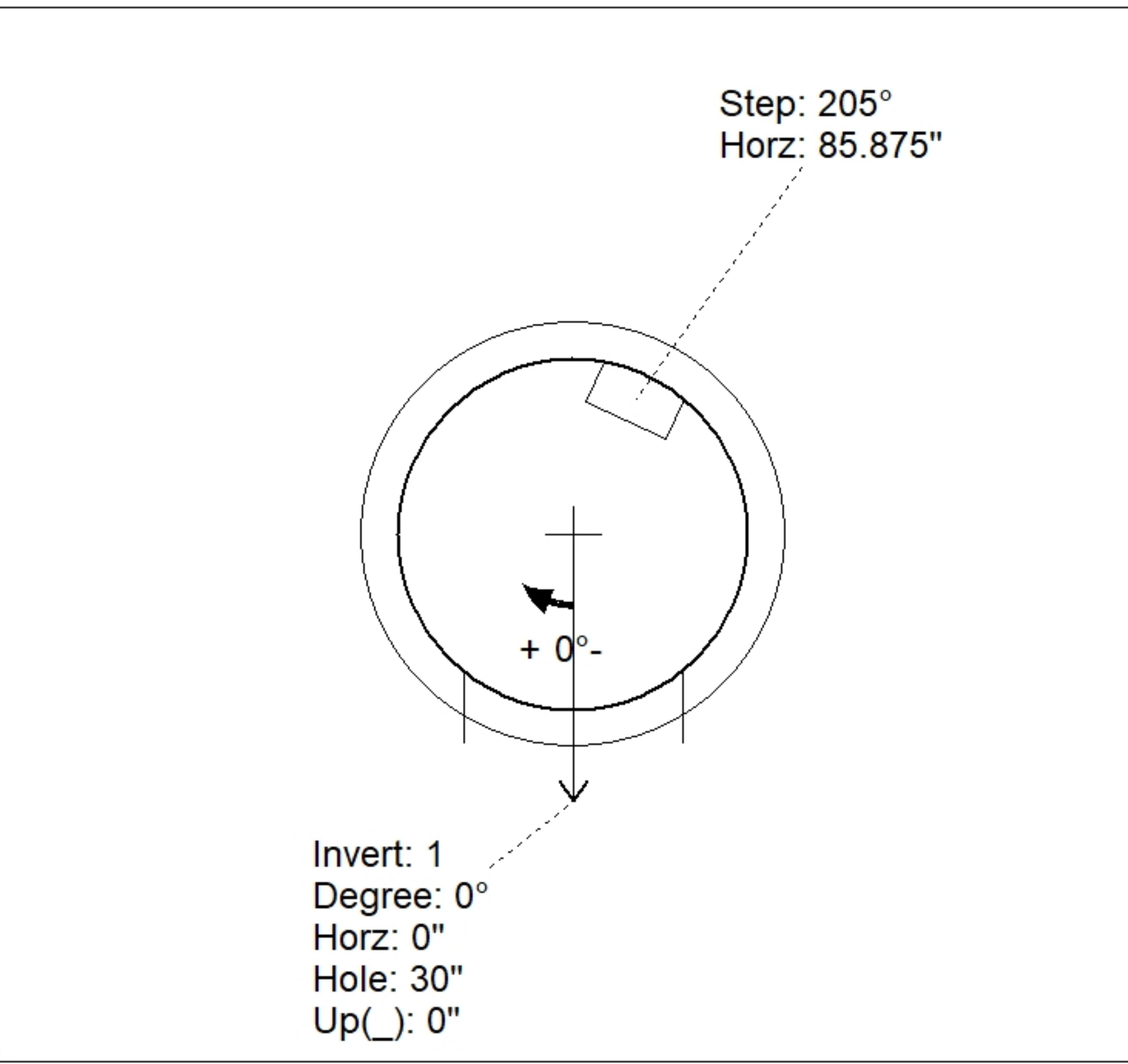
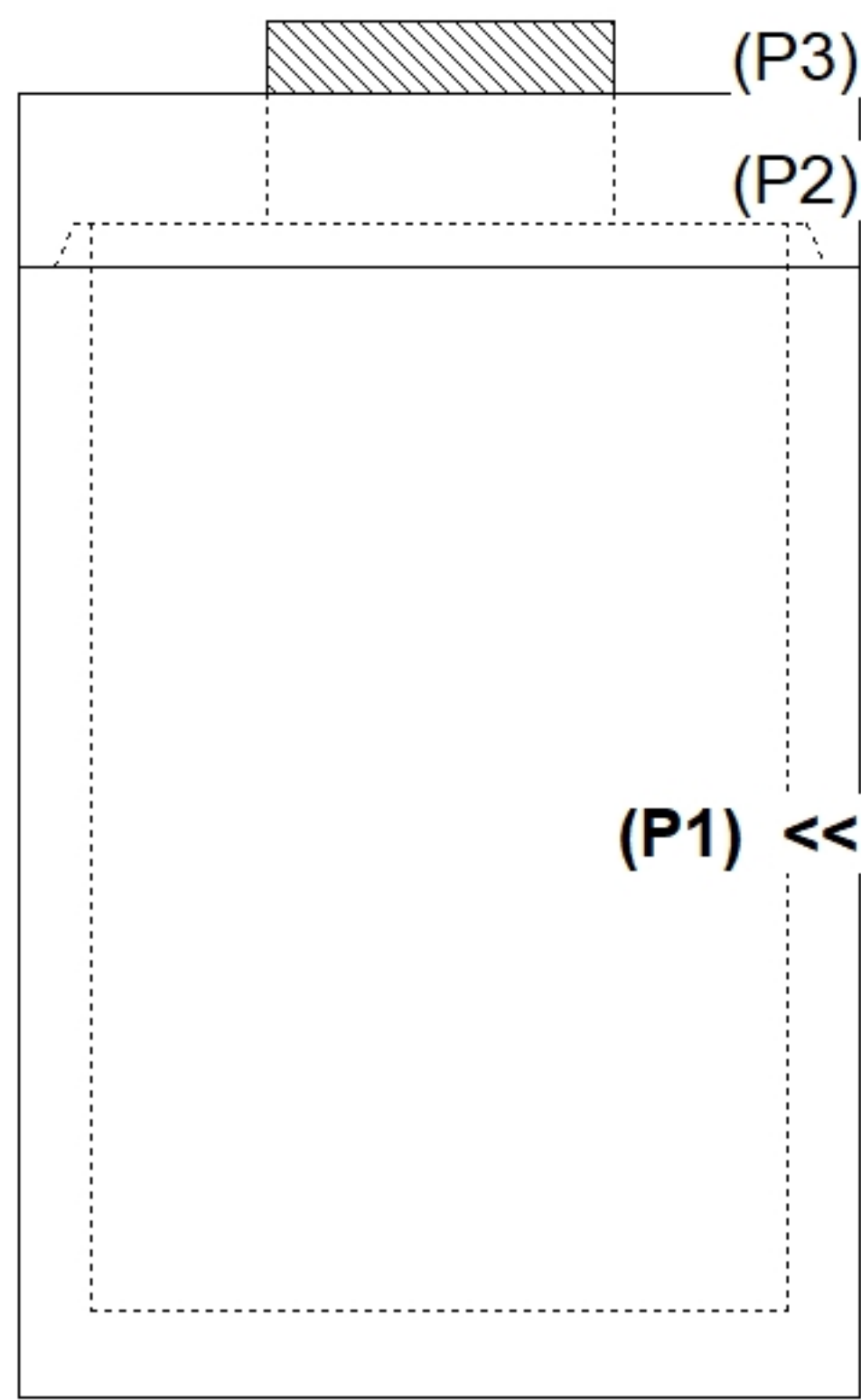
Structure Total: 8009 lb

Rim: 579.58'    Rim to Invert: 7.28'    Slack: 0.36"    Sump: 2"    Step Position: 205°

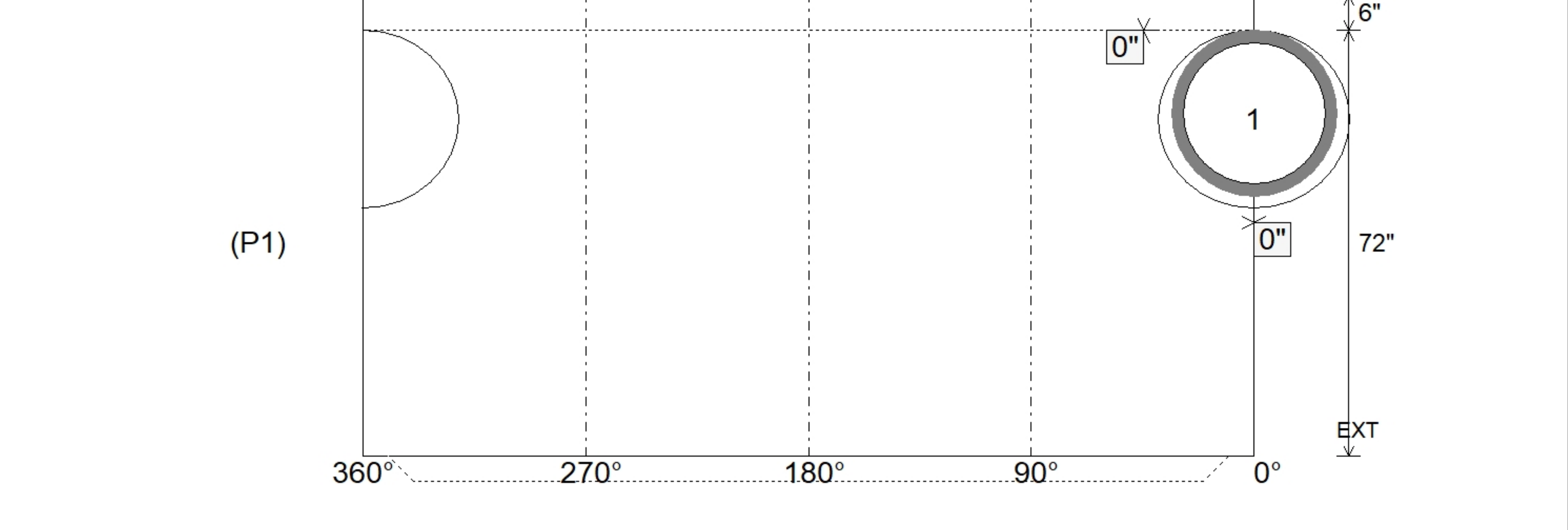
Position	Elev	Angle	Ext. (cw)	Pipe	Pipe OD	Connector	Hole	Horz Size	Up (⌋)	Offset
Invert 1	572.3'	0°	0"	24" ADS N-12	28"	Hole 30	30"	32.406"	0"	0"
Invert 2										
Invert 3										
Invert 4										
Invert 5										
Invert 6										
Invert 7										
Invert 8										

RIGHT-SIDE UP VIEW (int. dimensions)

UPSIDE-DOWN VIEW (int. dimensions)



INSIDE WALL DIMENSIONS



Coating (Int):	Seam Up: Tongue	Wall Thickness: 5"	Height (Int): 72"
Coating (Ext):	Seam Dn: n/a	Floor Height: 6"	Height (Ext): 78"
			Weight (Net): 6044 lb
			Volume (Net): 1.54cu.yd