

**Structure ID: BASIN2**

**P1 MH048BAVF**

**MH BASE Custom Ht F/n**

P3) CASTING HEIGHT - 0" P2) 48" - MH FLAT TOP SPECIAL F/F - 7" P1) 48" - MH BASE Custom Ht F/n - 64" 1) CASTING - HOE MCS 320-BH F/BHG (Cast-In) 1) 48" - Conseal CS-102 1.00" 1) Hole - 20 1) Weir (Trapezoid) n/n - 4.5"x34"x21.5" 5) MH Step ML-10-TDS-NCR - 10"	0 lb 1552 lb 5602 lb 250 lb 0 lb 0 lb 0 lb 0 lb 0 lb	
Structure Total:	7404 lb	

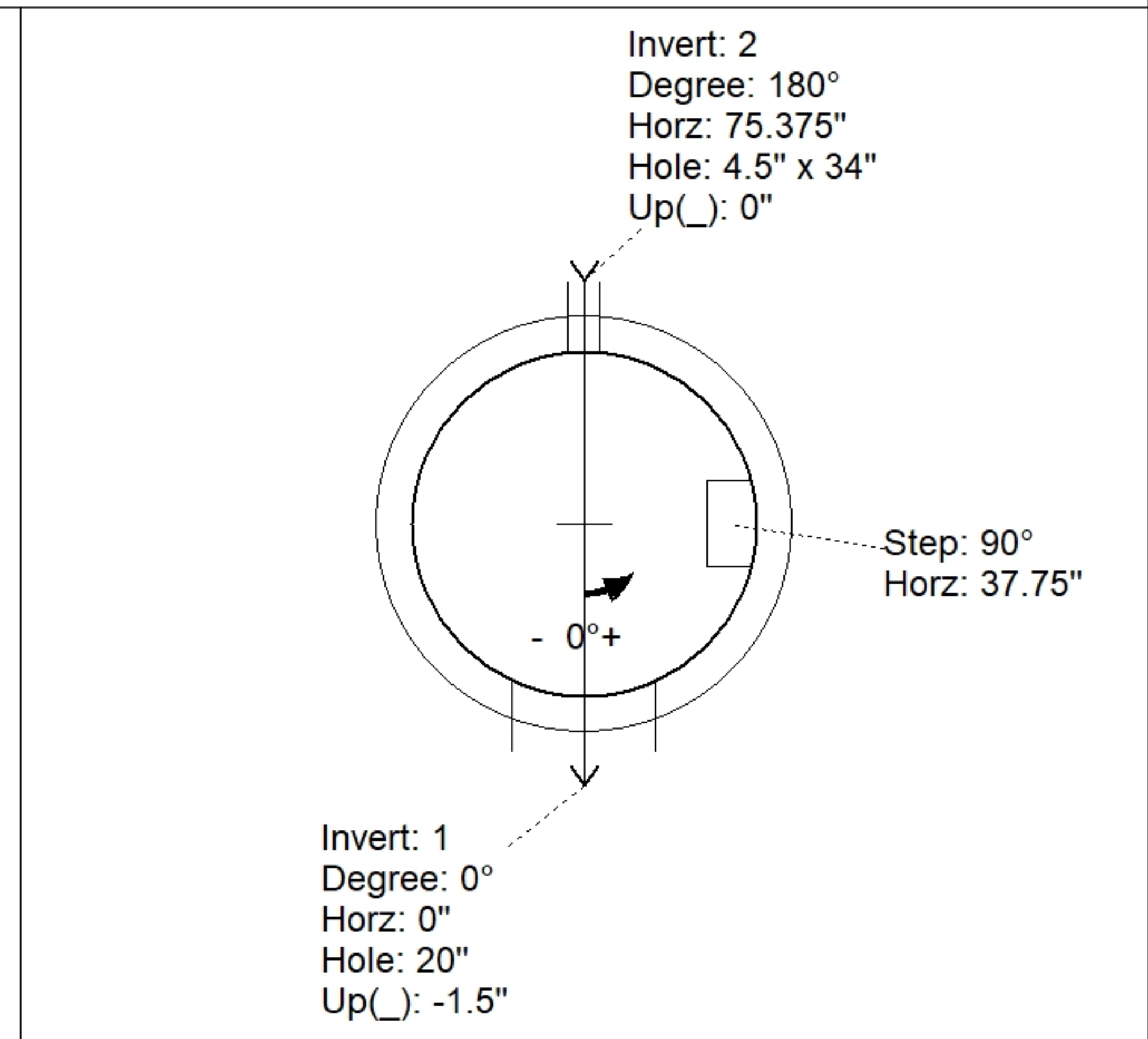
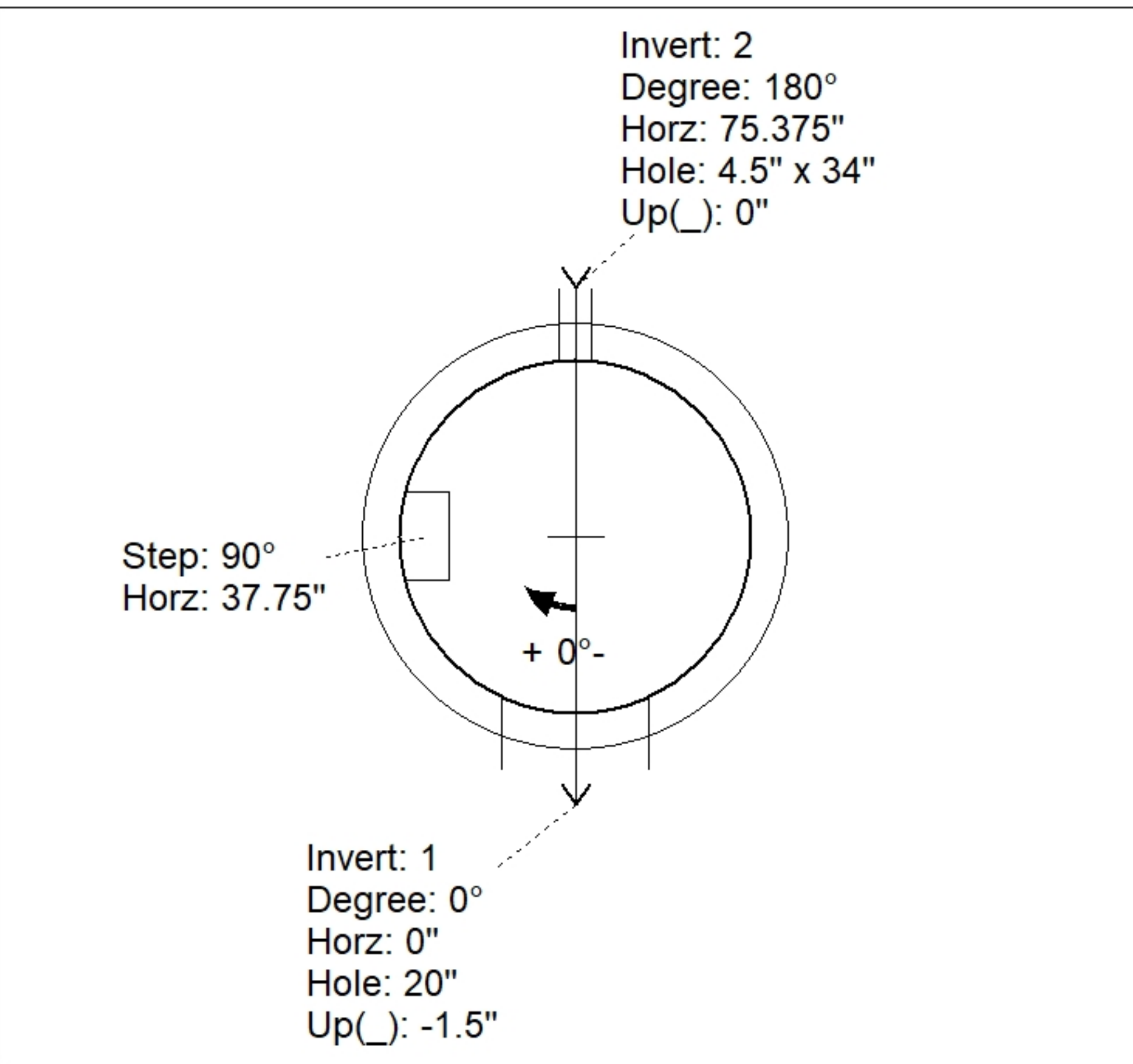
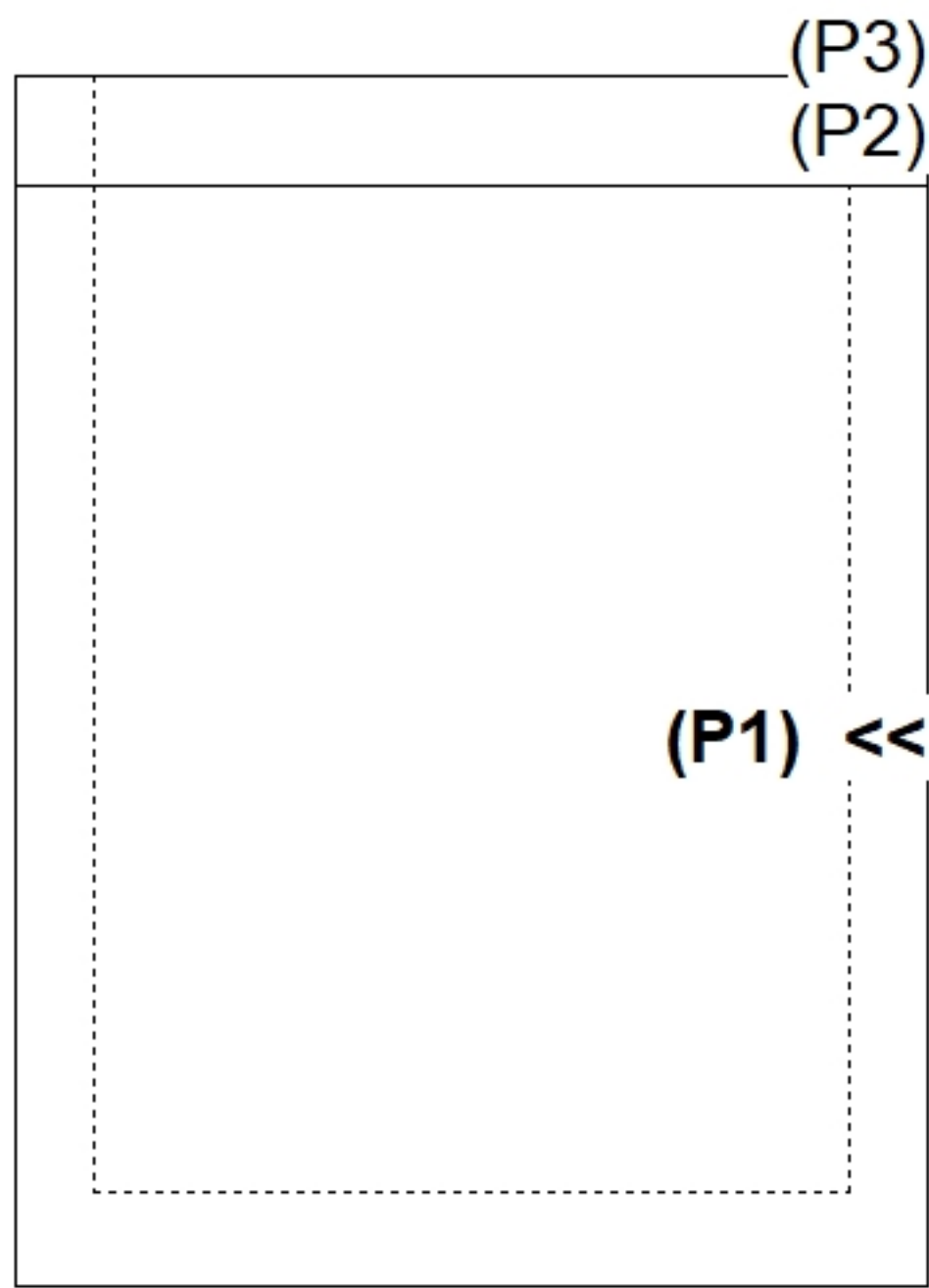
**Structure Notes:**  
 PLAN LABEL: BASIN 2 OUTLET  
 1. PER ASTM C-478 SPECS  
 2. CONCRETE: 4,000 PSI AT 28 DAYS  
 3. REINFORCEMENT:  
 - FLAT LID: #4 BAR @ 10" C.C. E.W. (GRADE 60)  
 - BASE: PER ASTM A615  
 4. STEPS AT 90 DEGREES  
 5. MCS 320-BH FRAME & BEEHIVE GRATE SUPPLIED BY ICAST  
 6. CASTING FRAME TO BE CAST INTO FLAT LID FLANGE SIDE UP

Rim: 577.7'    Rim to Invert: 5.99'    Slack: 0.88"    Sump: 0"    Step Position: 90

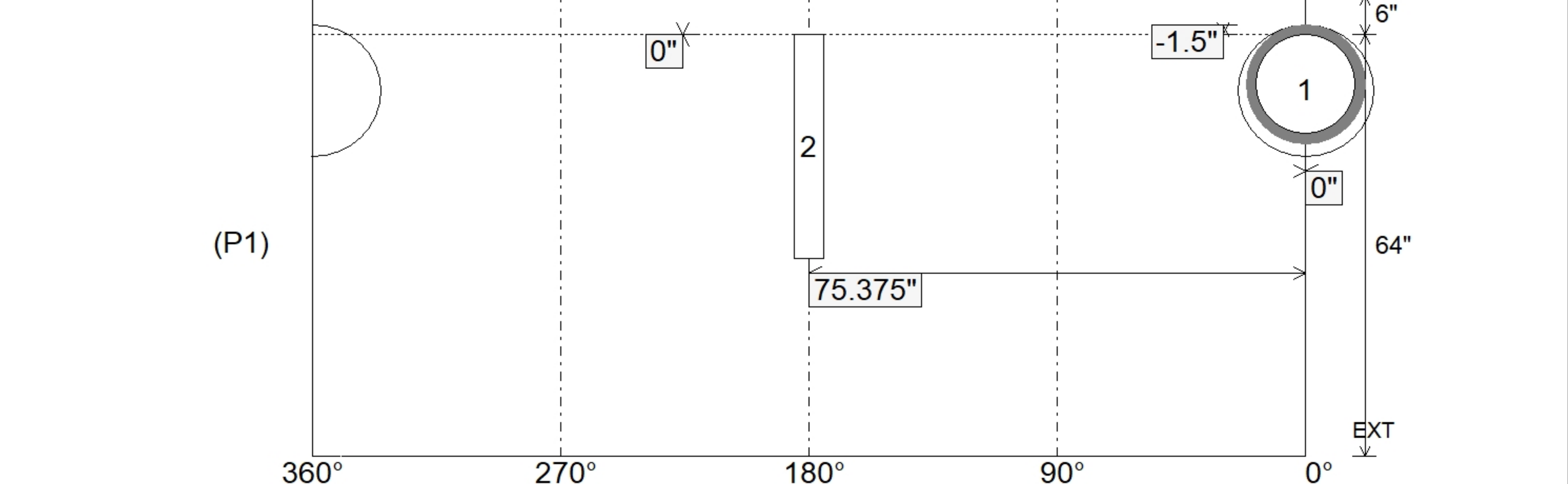
Position	Elev	Angle	Ext. (cw)	Pipe	Pipe OD	Connector	Hole	Horz Size	Up ( )	Offset
Invert 1	571.71'	0°	0"	15" ADS N-12	18"	Hole 20	20"	20.629"	-1.5"	0"
Invert 2	571.71'	180°	91.125"	4.5" x 34" Weir (Trapezoid)	4.5" x 34"	Weir (Trapezoid) 4.5"x34"x21.5"	4.5" x 34"	4.507"	0"	0"
Invert 3										
Invert 4										
Invert 5										
Invert 6										
Invert 7										
Invert 8										

RIGHT-SIDE UP VIEW (int. dimensions)

UPSIDE-DOWN VIEW (int. dimensions)



INSIDE WALL DIMENSIONS



Coating (Int):	Seam Up: Flat Seam Dn: n/a	Wall Thickness: 5" Floor Height: 6"	Height (Int): 64" Height (Ext): 70"	Weight (Net): 5602 lb Volume (Net): 1.43cu.yd
Coating (Ext):				