

Job Name: 25-3132 Simpsonville Elementary
 Job Location: Simpsonville, KY
 Contractor: Joda International Inc.

Plant: Beaver Dam

10/29/2025 8:44:50 AM

Tech: J. Coppage

PC: J. Jarvis



Structure ID: STMH-S3

P2 MH048CN24

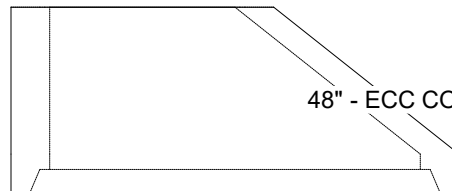
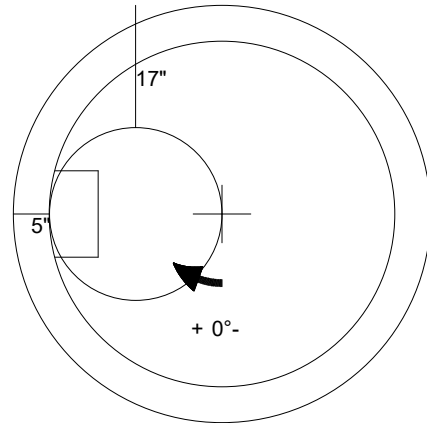
ECC CONE w/ 24" HOLE

- P4) 24" - CASTING HEIGHT - 4"
- P3) 24" - GRADE RING - 4"
- P2) 48" - ECC CONE w/ 24" HOLE - 24"
- P1) 48" - MH BASE w/FLANGE - 30"
- 1) CASTING - HOE MC-260 F/G Grate
- 1) 48" - Conseal CS-102 1.00"
- 1) Hole - 24
- 1) Hole - 20
- 1) Hole - 16
- 4) MH Step ML-10-TDS-NCR - 10"

- Structure Notes:**
1. JR HOE MC-260 PROVIDED BY ICAST.
 2. PER ASTM C478 SPECIFICATIONS.
 3. CONCRETE = 4,000 PSI AT 28 DAYS.
 4. REINFORCING PER ASTM A615 (GRADE 60).
 - TOP SLAB (As .62) #5 BARS AT 6" C.C.E.W..
 - RISER/WALLS (As .12)
 - FLOOR (As .31) #5 BARS AT 12" C.C.E.W.

0 lb
 270 lb
 1550 lb
 4565 lb
 230 lb
 0 lb
 0 lb
 0 lb
 0 lb
 0 lb

Structure Total: 6615 lb



48" - ECC CONE w/ 24" HOLE - 24" - (P2)

Coating (Int):
 Coating (Ext):

Seam Up: Flat
 Seam Dn: Groove

Wall Thickness: 5"

Height (Ext): 24"

Weight (Net): 1550 lb
 Volume (Net): 0.33cu.yd