

Job Name: 25-3132 Simpsonville Elementary  
 Job Location: Simpsonville, KY  
 Contractor: Joda International Inc.

Plant: Beaver Dam  
 10/29/2025 8:44:28 AM

Tech: J. Coppage  
 PC: J. Jarvis



**Structure ID: STMH-S3**

**P1 MH048BAEVF**

**MH BASE w/FLANGE**

P4) 24" - CASTING HEIGHT - 4"	0 lb
P3) 24" - GRADE RING - 4"	270 lb
P2) 48" - ECC CONE w/ 24" HOLE - 24"	1550 lb
P1) 48" - MH BASE w/FLANGE - 30"	4565 lb
1) CASTING - HOE MC-260 F/G Grate	230 lb
1) 48" - Conseal CS-102 1.00"	0 lb
1) Hole - 24	0 lb
1) Hole - 20	0 lb
1) Hole - 16	0 lb
4) MH Step ML-10-TDS-NCR - 10"	0 lb
<b>Structure Total:</b>	<b>6615 lb</b>

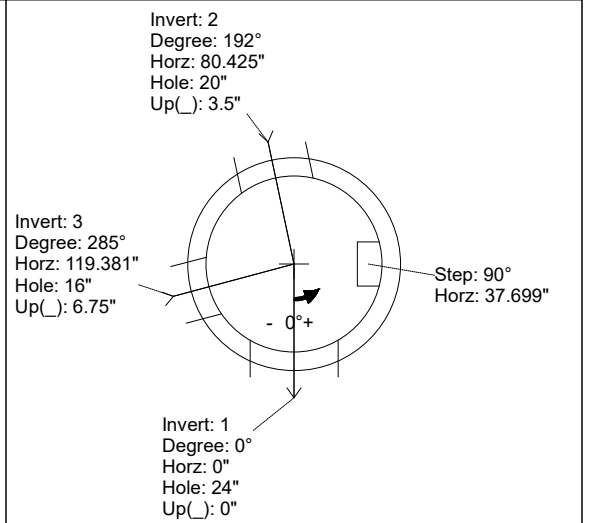
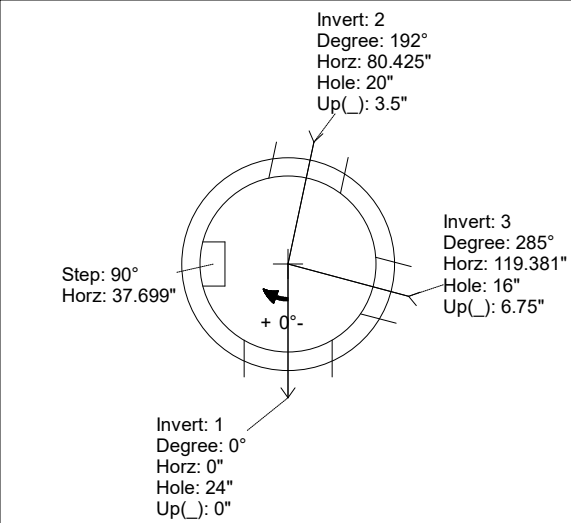
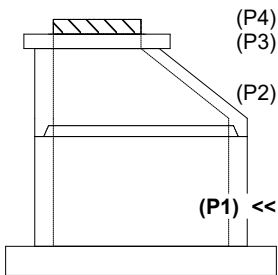
**Structure Notes:**  
 1. JR HOE MC-260 PROVIDED BY ICAST.  
 2. PER ASTM C478 SPECIFICATIONS.  
 3. CONCRETE = 4,000 PSI AT 28 DAYS.  
 4. REINFORCING PER ASTM A615 (GRADE 60).  
 - TOP SLAB (As .62) #5 BARS AT 6" C.C.E.W..  
 - RISER/WALLS (As .12)  
 - FLOOR (As .31) #5 BARS AT 12" C.C.E.W.

Rim: 780.52' Rim to Invert: 5.02' Slack: 0.24" Sump: 2" Step Position: 90°

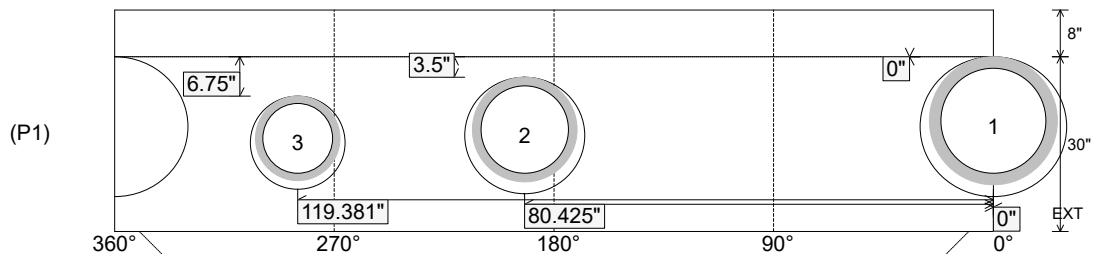
Position	Elev	Angle	Ext. (cw)	Pipe	Pipe OD	Connector	Hole	Horz Size	Up ( )	Offset
Invert 1	775.5'	0°	0"	18" ADS N-12	22"	Hole 24	24"	25.133"	0"	0"
Invert 2	775.75'	192°	97.18"	15" ADS N-12	18"	Hole 20	20"	20.629"	3.5"	0"
Invert 3	776'	285°	144.251"	12" ADS N-12	14.5"	Hole 16	16"	16.312"	6.75"	0"
Invert 4										
Invert 5										
Invert 6										
Invert 7										
Invert 8										

RIGHT-SIDE UP VIEW (int. dimensions)

UPSIDE-DOWN VIEW (int. dimensions)



INSIDE WALL DIMENSIONS



Coating (Int): Coating (Ext):	Seam Up: Tongue Seam Dn: n/a	Wall Thickness: 5" Floor Height: 8"	Height (Int): 30" Height (Ext): 38"	Weight (Net): 4565 lb Volume (Net): 1.17cu.yd
----------------------------------	---------------------------------	--	--	--