

Job Name: 25-3132 Simpsonville Elementary
 Job Location: Simpsonville, KY
 Contractor: Joda International Inc.

Plant: Beaver Dam
 10/29/2025 8:52:11 AM

Tech: J. Coppage
 PC: J. Jarvis



Structure ID: S-9a

P2 MH048LD12-24SQ

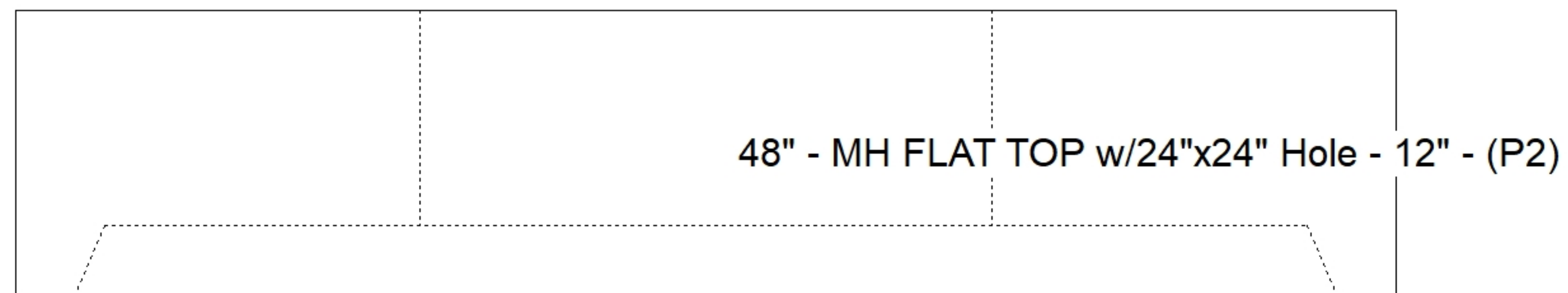
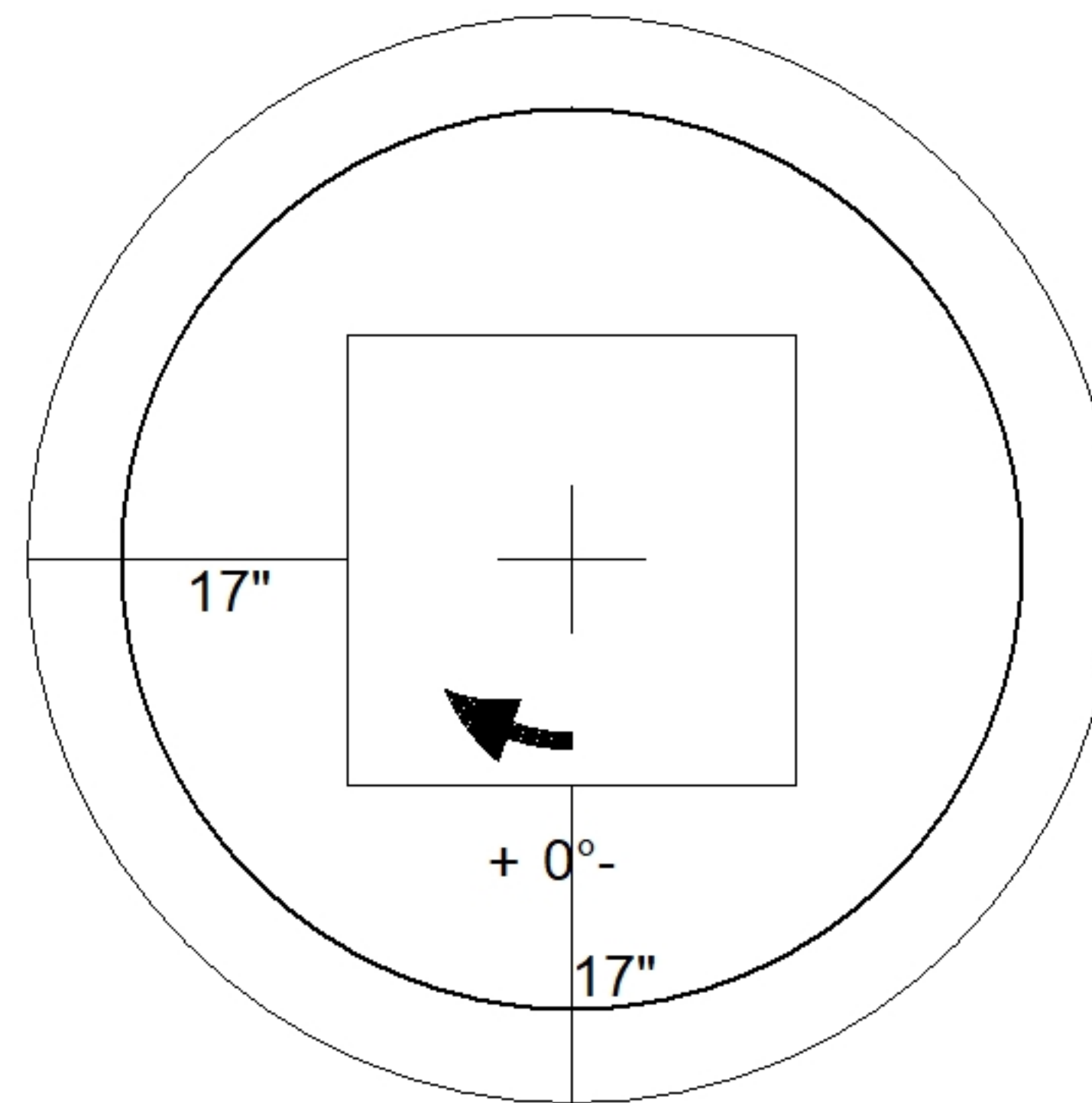
MH FLAT TOP w/24"x24" Hole

- P3) 24" x 24" - CASTING HEIGHT - 4"
- P2) 48" - MH FLAT TOP w/24"x24" Hole - 12"
- P1) 48" - KO MH 48"Dia X 24" Tall 3 Panel - STOCK - 24"
- 1) CASTING - HOE 280T F/G
- 1) 48" - Conseal CS-102 1.00"
- 1) 24" x 24" - Conseal CS-102 1.00"

	0 lb
	1500 lb
	2564 lb
	182 lb
	0 lb
	0 lb
Structure Total:	4246 lb

Structure Notes:

1. PER ASTM C913 SPECIFICATIONS.
2. CONCRETE = 4,000 PSI AT 28 DAYS.
3. NO INVERT CHANNEL.
4. REINFORCING PER ASTM A615 (GRADE 60).
 - TOP SLAB (As .62) #5 BARS AT 6" C.C.E.W.
 - WALLS (As .12) #5 BARS AT 12" C.C.E.W.
 - FLOOR (As .12) #5 BARS AT 12" C.C.E.W.
5. JR HOE-280 W/ SOLID COVER PROVIDED BY ICAST.



Coating (Int):	Seam Up: Flat Seam Dn: Groove	Wall Thickness: 5"	Height (Ext): 12"	Weight (Net): 1500 lb Volume (Net): 0.37cu.yd
Coating (Ext):				