

Job Name: 25-3132 Simpsonville Elementary
Job Location: Simpsonville, KY
Contractor: Joda International Inc.

PC: J. Jarvis
 TECH: J. Coppage
 Plant: Beaver Dam



Structure ID: **OCS-S11**

Spec: Storm
 Type: BX 6inW, 8inF
 Size: 30" x 30"

Rim: 773'
 Invert: 769.41'
 Rim to Invert: 3.59'

Sump: 0"
 Floor (Top): 769.41'
 Floor Height: 8"

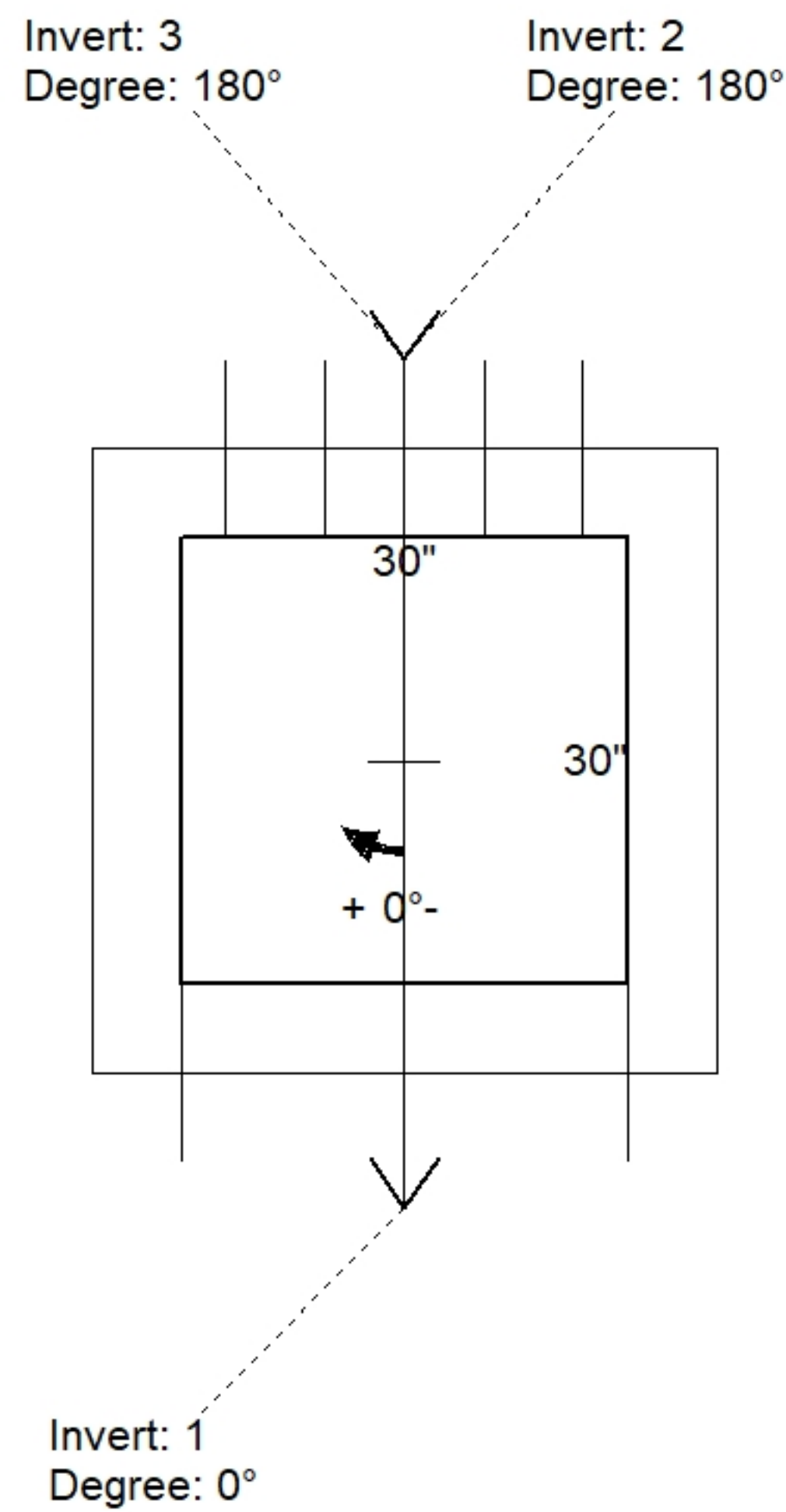
Floor (Bot): 768.743'
 Overall Height: 4.25'
 Slack: 0.08"

Structure Notes:

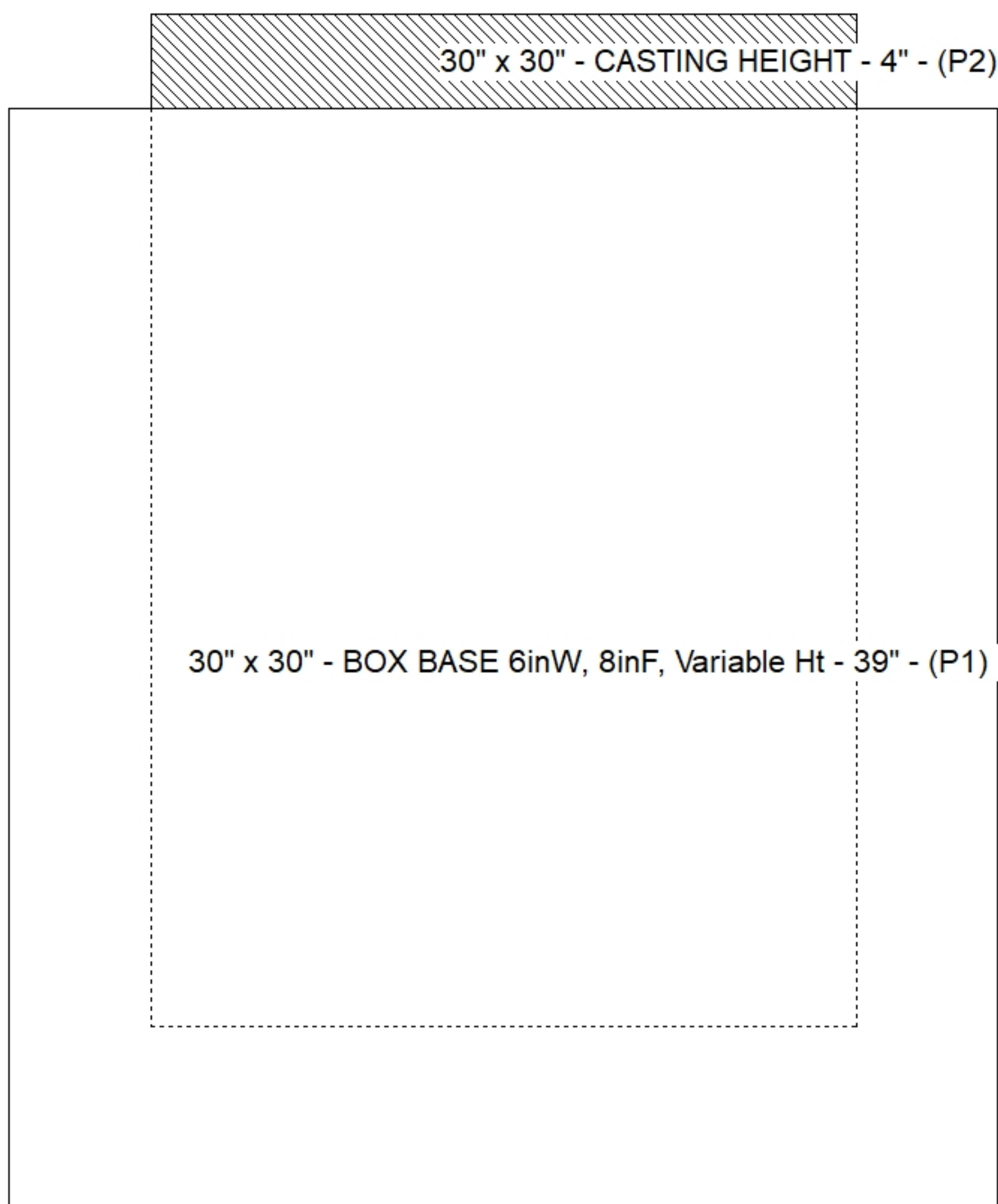
1. JR HOE HOE-468 PROVIDED BY ICAST.
2. PER ASTM C913 SPECIFICATIONS.
3. CONCRETE = 4,000 PSI AT 28 DAYS.
4. REINFORCING PER ASTM A615 (GRADE 60).
 - TOP SLAB (As .62) #5 BARS AT 6" C.C.E.W.
 - WALLS (As .12) #5 BARS AT 12" C.C.E.W.
 - FLOOR (As .12) #5 BARS AT 12" C.C.E.W.
5. 12" THICK PAD BY OTHERS.

STRUCTURE SUMMARY:

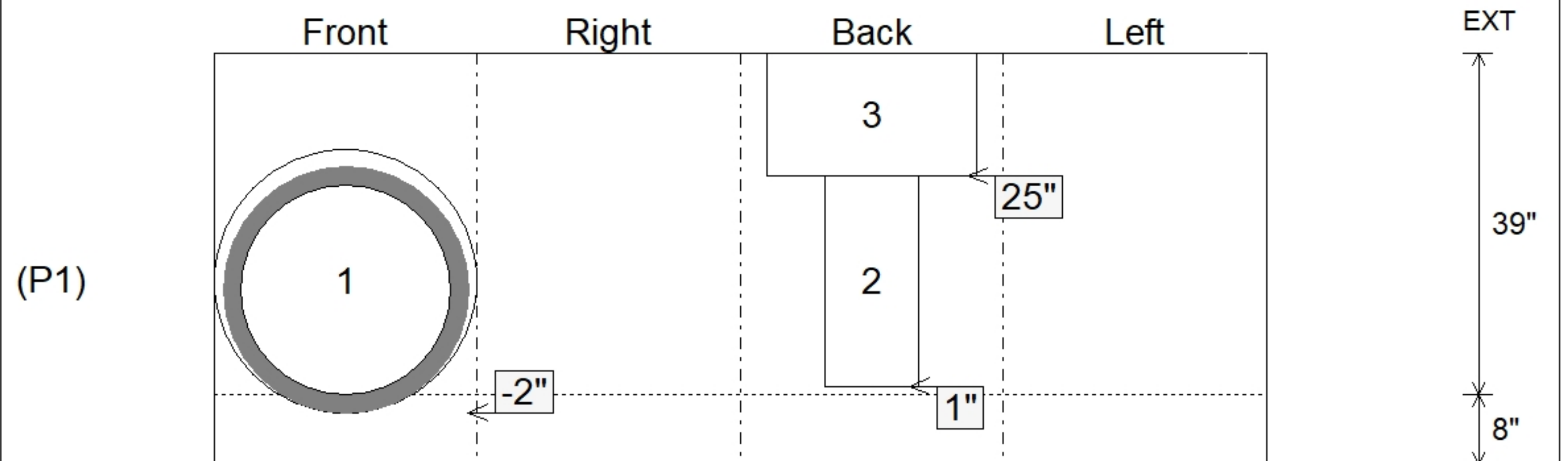
P2) 30" x 30" - CASTING HEIGHT - 4"	0 lb
P1) 30" x 30" - BOX BASE 6inW, 8inF, Variable Ht - 39"	3445 lb
1) CASTING - HOE 468 F/G	489 lb
1) 30" x 30" - Conseal CS-102 1.00"	0 lb
1) Hole - 30	0 lb
1) Vert. Slot - 10.8"x24"	0 lb
1) Horiz Slot - 24"X14"	0 lb
Structure Total:	3934 lb



Position	Elev	Angle	Pipe	Pipe OD	Hole	Connector	Up (")	Ref
Rim	773'							
Reducer								
Invert 1	769.41'	0°	24" ADS N-12	28"	30"	Hole 30	-2"	P1
Invert 2	769.493'	180°	10.8" x 24" Vert. Slot	10.8" x 24"	10.8" x 24"	Vert. Slot 10.8"x24"	1"	P1
Invert 3	771.493'	180°	24" x 14" Horiz Slot	24" x 14"	24" x 14"	Horiz Slot 24"X14"	25"	P1
Invert 4								
Invert 5								
Invert 6								
Invert 7								
Invert 8								



Default - Interior Dimensions



Submittal Drawing
 10/29/2025 8:51:45 AM

SUBMITTAL
 APPROVED BY: