

Job Name: 25-3118 - W6 Ph 2-C Force Main Improvements
 Job Location: Fort Mitchell, KY 41017
 Contractor: Lykins Contracting

Plant: 100

3/26/2026 2:16:14 PM

Tech: J. Horsley - A

PC: Celina Goff



Structure ID: ICAST LI88 (1)

P2 CVR

BOX RISER 6inW, Variable Ht F/F

- P4) 24" - CASTING HEIGHT - 7"
- P3) 72" x 84" - CB FLAT TOP 6"W w/(2) 24" HOLES F/F - 8"
- P2) 72" x 84" - BOX RISER 6inW, Variable Ht F/F - 54"
- P1) 72" x 84" - 108" X 16" X 6" Footer Blocks - 2 Ea. F/n - 3"
- 2) 72" x 84" - Conseal CS-102 1.00" (Double)
- 2) DOGHOUSE - 24"x14
- 6) MH Step ML-10-TDS-NCR - 10"

0 lb
 4806 lb
 8859 lb
 1740 lb (870 lb Ea.)
 0 lb
 0 lb
 0 lb

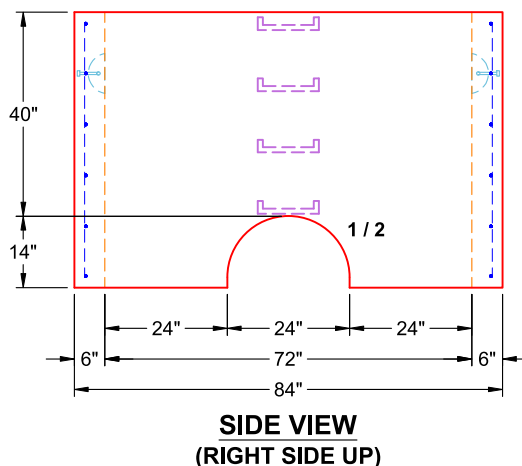
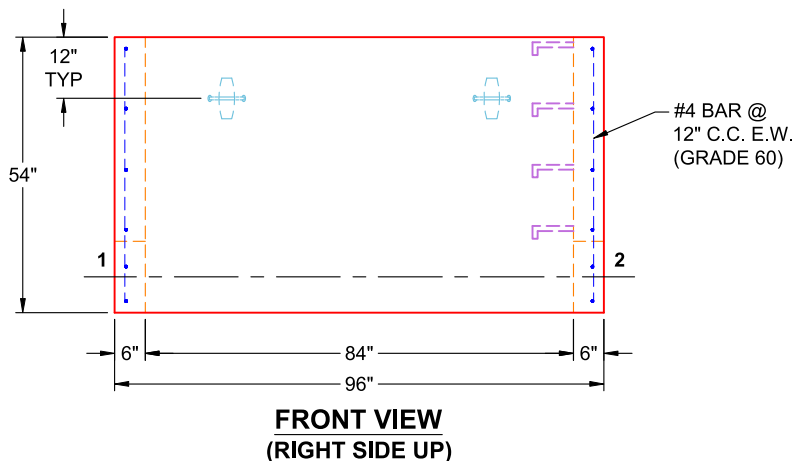
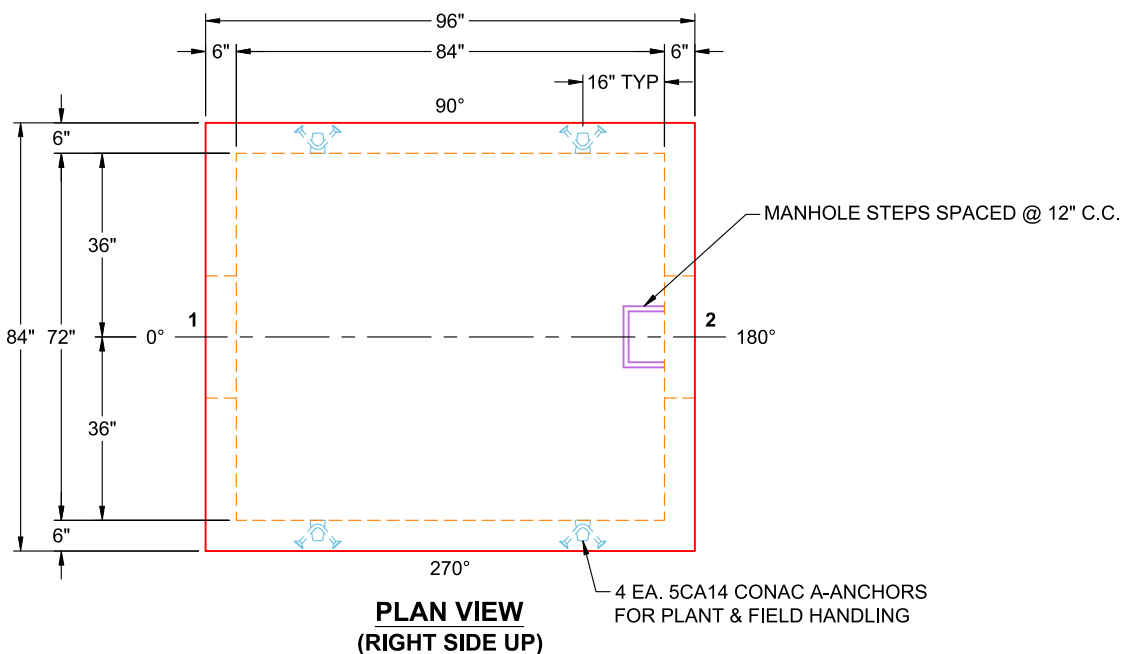
 Structure Total: 15405 lb

Structure Notes:

1. PER ASTM C-913 SPECIFICATIONS
2. CONCRETE: 4,000 PSI AT 28 DAYS
3. REINFORCEMENT: #4 BAR @ 12" C.C. E.W. (GRADE 60) - 2" MIN. REBAR CLEARANCE (TYP)
4. LIFTERS: 4 EA. 5CA14 CONAC A-ANCHORS FOR PLANT & FIELD HANDLING - INSTALLED IN 90° & 270° WALLS, MIN. 12" FROM TOP OF WALLS
5. STEPS AT 180 DEGREES

Rim: 5.75' Rim to Invert: 5.75' Slack: 0" Sump: 0" Step Position: 180°

Position	Elev	Angle	Ext. (cw)	Pipe	Pipe OD	Connector	Hole	Horz Size	Up ()	Offset
Invert 1	0'	0°	42"	18" DI	19.5"	DOGHOUSE 24"x14	24" x 14"	24"	0"	0"
Invert 2	0'	180°	42"	18" DI	19.5"	DOGHOUSE 24"x14	24" x 14"	24"	0"	0"
Invert 3										



Coating (Int): Coating (Ext):	Seam Up: Flat Seam Dn: Flat	Wall Thickness: 6" Floor Height: 0"	Height (Int): 54" Height (Ext): 54"	Weight (Net): 8859 lb Volume (Net): 2.26cu.yd
----------------------------------	--------------------------------	--	--	--