

Job Name: 25-3118 - W6 Ph 2-C Force Main Improvements  
 Job Location: Fort Mitchell, KY 41017  
 Contractor: Lykins Contracting

Plant: 100

3/20/2026 1:22:28 PM

Tech: J. Horsley - A

PC: Celina Goff



**Structure ID: ARV2**

**P1 CFB**

**108" X 16" X 6" Footer Blocks - 2 Ea. F/n**

- P4) 24" - CASTING HEIGHT - 7"
- P3) 72" x 84" - CB FLAT TOP 6"W w/(2) 24" HOLES F/F - 8"
- P2) 72" x 84" - BOX RISER 6inW, Variable Ht F/F - 54"
- P1) 72" x 84" - 108" X 16" X 6" Footer Blocks - 2 Ea. F/n - 6"
- 2) 72" x 84" - Conseal CS-102 1.00" (Double)
- 2) DOGHOUSE - 24"x14
- 6) MH Step ML-10-TDS-NCR - 10"

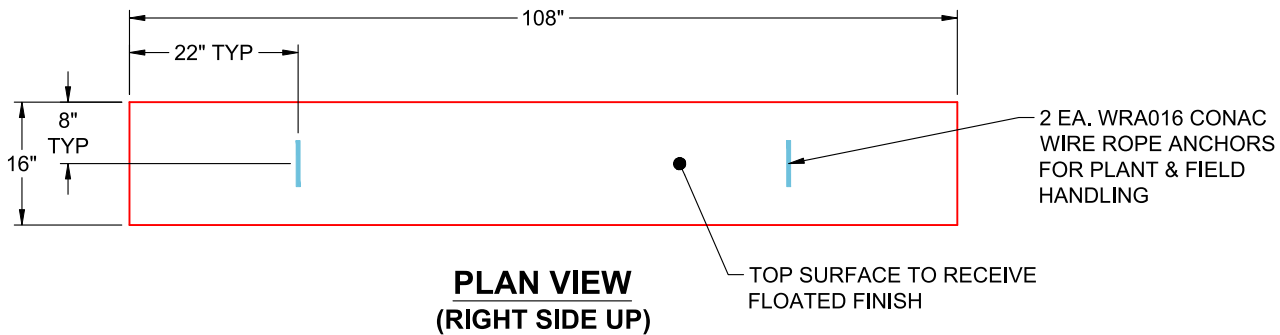
0 lb  
 4806 lb  
 8859 lb  
 1740 lb (870 lb Ea.)  
 0 lb  
 0 lb  
 0 lb  
 -----  
 0 lb  
 Structure Total: 15405 lb

Structure Notes:

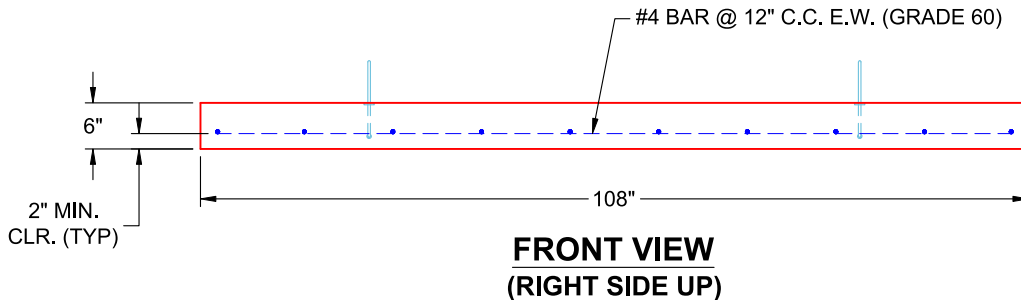
1. PER ASTM C-913 SPECIFICATIONS
2. CONCRETE: 4,000 PSI AT 28 DAYS
3. REINFORCEMENT: #4 BAR @ 12" C.C. E.W. (GRADE 60) - 2" MIN. REBAR CLEARANCE (TYP)
4. LIFTERS: 2 EA. WRA016 CONAC WIRE ROPE ANCHORS FOR PLANT & FIELD HANDLING
5. TOP SURFACE TO RECEIVE FLOATED FINISH

Rim: 5.75' Rim to Invert: 5.75' Slack: 0" Sump: 0" Step Position: 180°

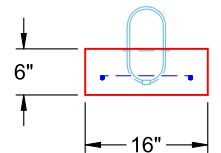
**2 EA. FOOTER BLOCKS REQUIRED PER ARV**



**PLAN VIEW  
(RIGHT SIDE UP)**



**FRONT VIEW  
(RIGHT SIDE UP)**



**SIDE VIEW  
(RIGHT SIDE UP)**

Coating (Int):  
 Coating (Ext):

Seam Up: Flat  
 Seam Dn: n/a

Wall Thickness: 6"  
 Floor Height: 6"

Height (Int): 0"  
 Height (Ext): 0"

Weight (Net): 870 lb  
 Volume (Net): 0.22cu.yd