

Job Name: 25-3118 - W6 Ph 2-C Force Main Improvements
Job Location: Fort Mitchell, KY 41017
Contractor: Lykins Contracting

PC: Celina Goff
 TECH: J. Horsley - A
 Plant: 100



Structure ID: **2301581**
 Spec: Sanitary
 Type: SAN.MH w/Ext. Drop
 Size: 48"

Rim: 766.6'
 Invert: 746.63'
 Rim to Invert: 19.97'

Sump: 2"
 Floor (Top): 746.463'
 Floor Height: 10"

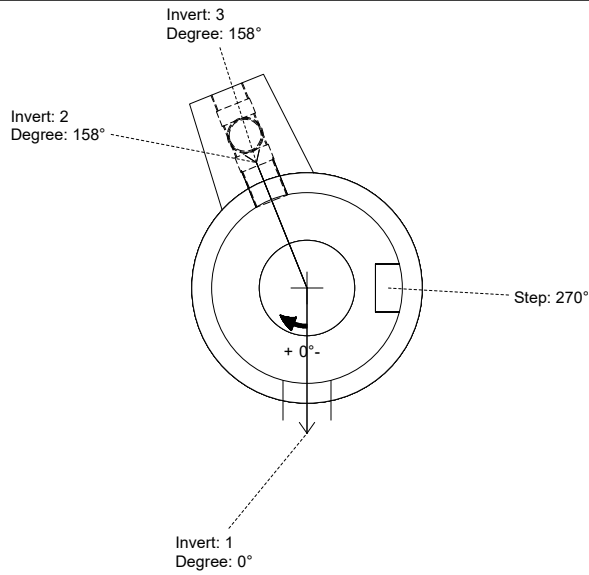
Floor (Bot): 745.63'
 Overall Height: 20.75'
 Slack: 2.64"

Structure Notes:

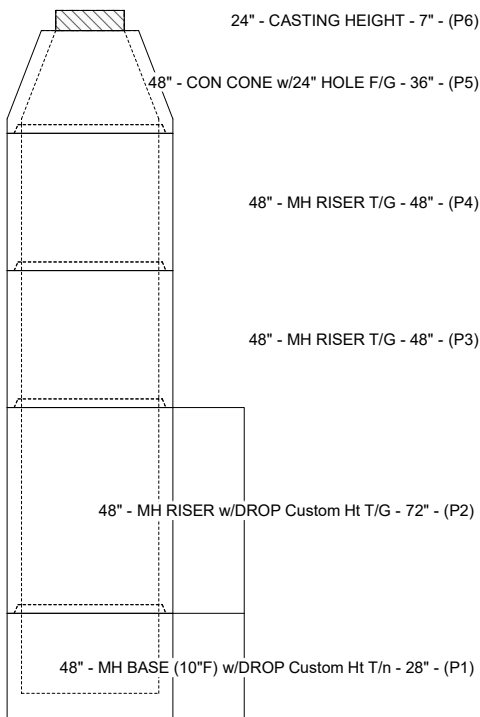
- PER ASTM C-478 SPECIFICATIONS
- CONCRETE: 4,000 PSI AT 28 DAYS
- REINFORCEMENT:
 - CONE & RISERS: PER ASTM A615
 - BASE WALLS: PER ASTM A615 - DOUBLE MAT
 - BASE FLOOR: #5 BAR @ 12" C.C. E.W. (GRADE 60)
- INVERT CHANNEL REQUIRED
- STEPS AT 270 DEGREES
- 7" CASTING SUPPLIED BY OTHERS
- EXTERIOR DROP AT INVERTS 2 & 3 SUPPLIED BY ICAST

STRUCTURE SUMMARY:

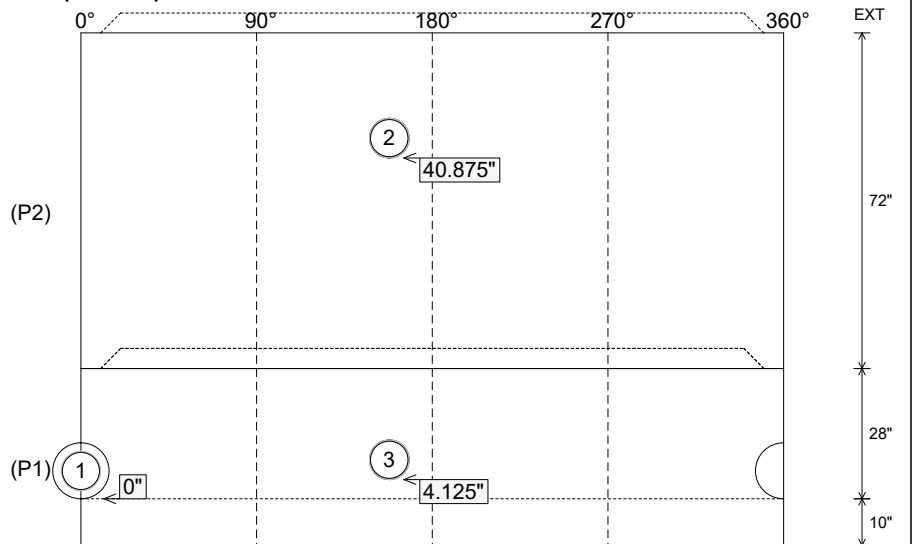
P6) 24" - CASTING HEIGHT - 7"	0 lb
P5) 48" - CON CONE w/24" HOLE F/G - 36"	2252 lb
P4) 48" - MH RISER T/G - 48"	3353 lb
P3) 48" - MH RISER T/G - 48"	3353 lb
P2) 48" - MH RISER w/DROP Custom Ht T/G - 72"	8102 lb
P1) 48" - MH BASE (10"F) w/DROP Custom Ht T/n - 28"	7371 lb
1) 60" - MH INVERT CHANNEL - FULL HEIGHT	2692 lb
4) 48" - Conseal CS-102 1.00" (Double)	0 lb
1) PSX - 12-08 NYLO	8 lb
1) Drop Tee - 8" PVC	0 lb
1) Drop Elbow - 8" PVC	0 lb
19) MH Step ML-10-TDS-NCR - 10"	0 lb
Structure Total:	27131 lb



Position	Elev	Angle	Pipe	Pipe OD	Hole	Connector	Up (L)	Ref
Rim	766.6'							
Reducer								
Invert 1	746.63'	0°	8" PVC SDR35	8.5"	12"	PSX 12-08 NYLO	0"	P1
Invert 2	752.58'	158°	8" PVC SDR35	8.5"	8.5"	Drop Tee 8" PVC	40.875"	P2
Invert 3	746.83'	158°	8" PVC SDR35	8.5"	8.5"	Drop Elbow 8" PVC	4.125"	P1
Invert 4								
Invert 5								
Invert 6								
Invert 7								
Invert 8								



Cast (Int. Dim.) - Interior Dimensions



Submittal Drawing
 3/17/2026 12:36:40 PM

SUBMITTAL
 APPROVED BY: