

Structure ID: 2301581

P2 MH048RSVF-D

MH RISER w/DROP Custom Ht T/G

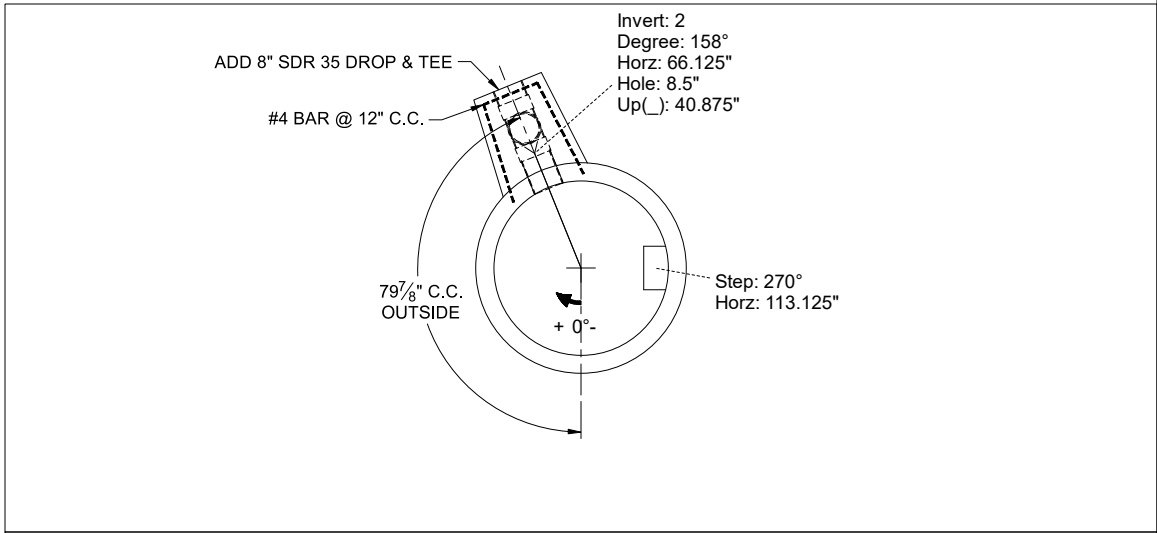
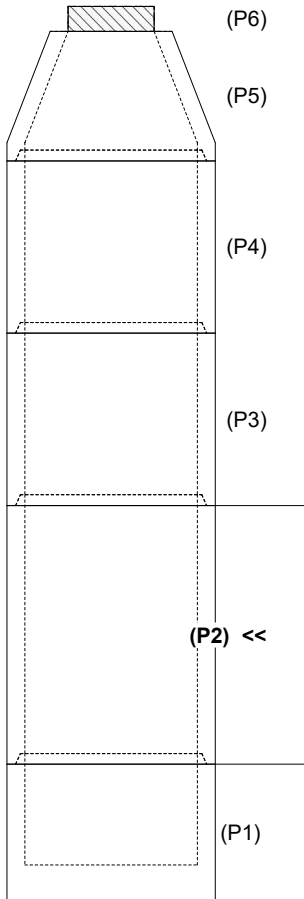
- | | | |
|--|--|--|
| P6) 24" - CASTING HEIGHT - 7"
P5) 48" - CON CONE w/24" HOLE F/G - 36"
P4) 48" - MH RISER T/G - 48"
P3) 48" - MH RISER T/G - 48"
P2) 48" - MH RISER w/DROP Custom Ht T/G - 72"
P1) 48" - MH BASE (10"F) w/DROP Custom Ht T/n - 28"
1) 60" - MH INVERT CHANNEL - FULL HEIGHT
4) 48" - Conseal CS-102 1.00" (Double)
1) PSX - 12-08 NYLO
1) Drop Tee - 8" PVC
1) Drop Elbow - 8" PVC
19) MH Step ML-10-TDS-NCR - 10" | 0 lb
2252 lb
3353 lb
3353 lb
8102 lb
7371 lb
2692 lb
0 lb
8 lb
0 lb
0 lb
0 lb
0 lb

Structure Total: 27131 lb | Structure Notes:
1. PER ASTM C-478 SPECIFICATIONS
2. CONCRETE: 4,000 PSI AT 28 DAYS
3. RISER REINFORCEMENT: PER ASTM A615
4. EXTERIOR DROP REINFORCEMENT: #4 BAR @ 12" C.C. E.W. (GRADE 60) - 2" MIN. REBAR CLEARANCE (TYP)
5. STEPS AT 270 DEGREES
6. 7" CASTING SUPPLIED BY OTHERS
7. EXTERIOR DROP AT INVERTS 2 & 3 SUPPLIED BY ICAST
8. ADD 8" SDR 35 DROP & TEE AT INVERT 2 (158°) |
|--|--|--|

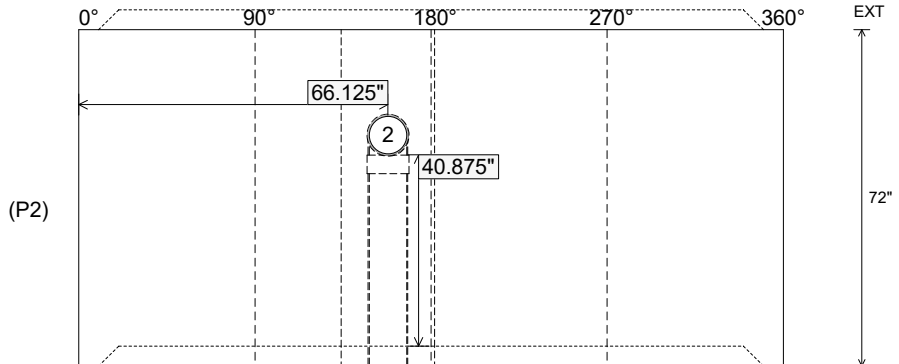
Rim: 766.6' Rim to Invert: 19.97' Slack: 2.64" Sump: 2" Step Position: 270°

Position	Elev	Angle	Ext. (cw)	Pipe	Pipe OD	Connector	Hole	Horz Size	Up ()	Offset
Invert 1										
Invert 2	752.58'	158°	80"	8" PVC SDR35	8.5"	Drop Tee 8" PVC	8.5"	8.545"	40.875"	0"
Invert 3										
Invert 4										
Invert 5										
Invert 6										
Invert 7										
Invert 8										

RIGHT-SIDE UP VIEW (int. dimensions)



INSIDE WALL DIMENSIONS



Coating (Int): Coating (Ext):	Seam Up: Tongue Seam Dn: Groove	Wall Thickness: 5" Floor Height: 0"	Height (Int): 72" Height (Ext): 72"	Weight (Net): 5006 lb Volume (Net): 1.28cu.yd
----------------------------------	------------------------------------	--	--	--