

Job Name: 25-3118 - W6 Ph 2-C Force Main Improvements
Job Location: Fort Mitchell, KY 41017
Contractor: Lykins Contracting

PC: Celina Goff
 TECH: J. Horsley - A
 Plant: 100



Structure ID: **2301580**
 Spec: Sanitary
 Type: SAN.MH
 Size: 48"

Rim: 783.74'
 Invert: 778.38'
 Rim to Invert: 5.36'

Sump: 2"
 Floor (Top): 778.213'
 Floor Height: 8"

Floor (Bot): 777.546'
 Overall Height: 6.083'
 Slack: 1.32"

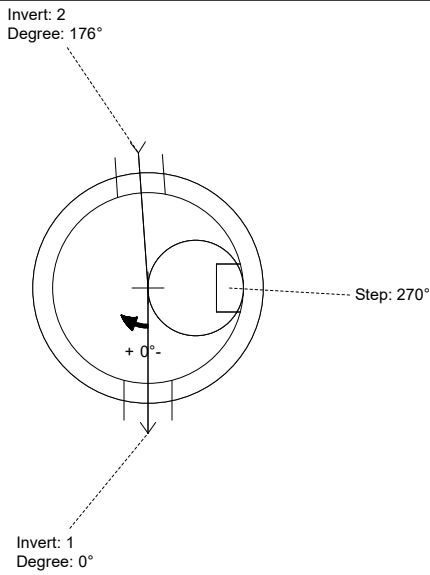
Structure Notes:

1. PER ASTM C-478 SPECIFICATIONS
2. CONCRETE: 4,000 PSI AT 28 DAYS
3. REINFORCEMENT:
 - CONE: PER ASTM A615
 - BASE WALLS: PER ASTM A615 - DOUBLE MAT
 - BASE FLOOR: #5 BAR @ 12" C.C. E.W. (GRADE 60)
4. INVERT CHANNEL REQUIRED
5. STEPS AT 270 DEGREES
6. 7" CASTING SUPPLIED BY OTHERS

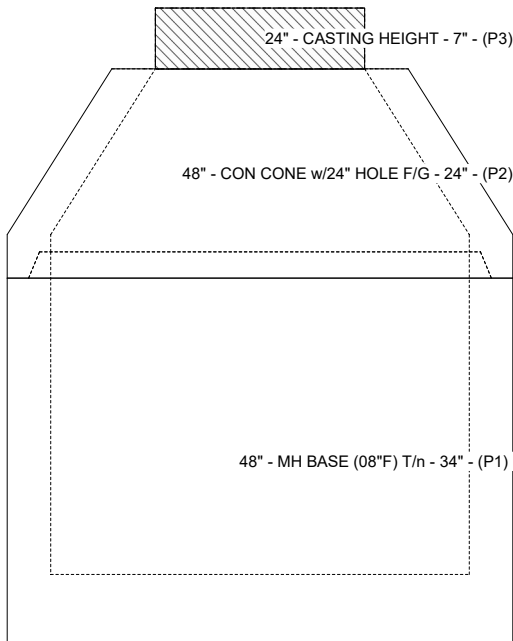
STRUCTURE SUMMARY:

- P3) 24" - CASTING HEIGHT - 7"
 - P2) 48" - CON CONE w/24" HOLE F/G - 24"
 - P1) 48" - MH BASE (08"F) T/n - 34"
 - 1) 48" - MH INVERT CHANNEL - FULL HEIGHT
 - 1) 48" - Conseal CS-102 1.00" (Double)
 - 2) PSX - 12-08 NYLO
 - 4) MH Step ML-10-TDS-NCR - 10"
- 0 lb
 2252 lb
 4053 lb
 1440 lb
 0 lb
 16 lb
 0 lb

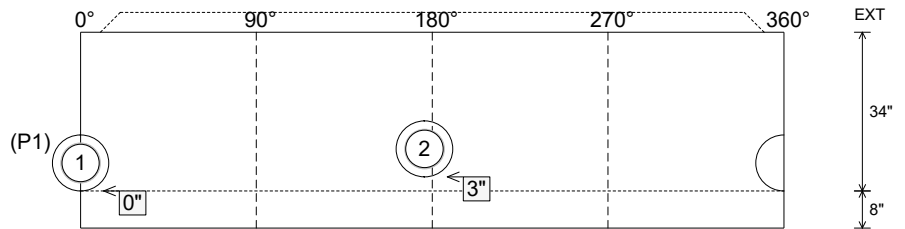
 Structure Total: 7761 lb



Position	Elev	Angle	Pipe	Pipe OD	Hole	Connector	Up (L)	Ref
Rim	783.74'							
Reducer								
Invert 1	778.38'	0°	8" PVC SDR35	8.5"	12"	PSX 12-08 NYLO	0"	P1
Invert 2	778.63'	176°	8" PVC SDR35	8.5"	12"	PSX 12-08 NYLO	3"	P1
Invert 3								
Invert 4								
Invert 5								
Invert 6								
Invert 7								
Invert 8								



Cast (Int. Dim.) - Interior Dimensions



Submittal Drawing
 3/17/2026 12:36:39 PM

SUBMITTAL
 APPROVED BY: