

**Job Name: 25-3118 - W6 Ph 2-C Force Main Improvements**  
**Job Location: Fort Mitchell, KY 41017**  
**Contractor: Lykins Contracting**

PC: Celina Goff  
 TECH: J. Horsley - A  
 Plant: 100



Structure ID: **2301578**  
 Spec: Sanitary  
 Type: SAN.MH  
 Size: 48"

Rim: 790.34'  
 Invert: 773.35'  
 Rim to Invert: 16.99'

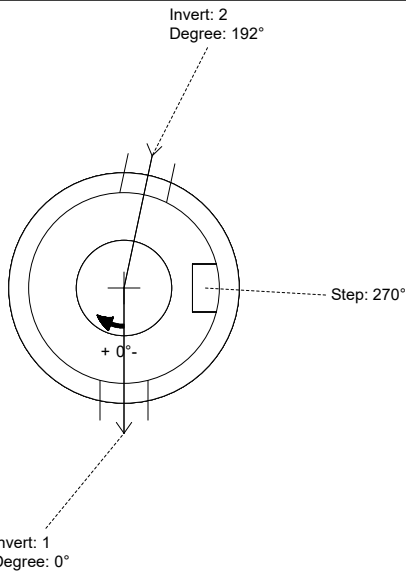
Sump: 2"  
 Floor (Top): 773.183'  
 Floor Height: 8"

Floor (Bot): 772.517'  
 Overall Height: 17.583'  
 Slack: 2.88"

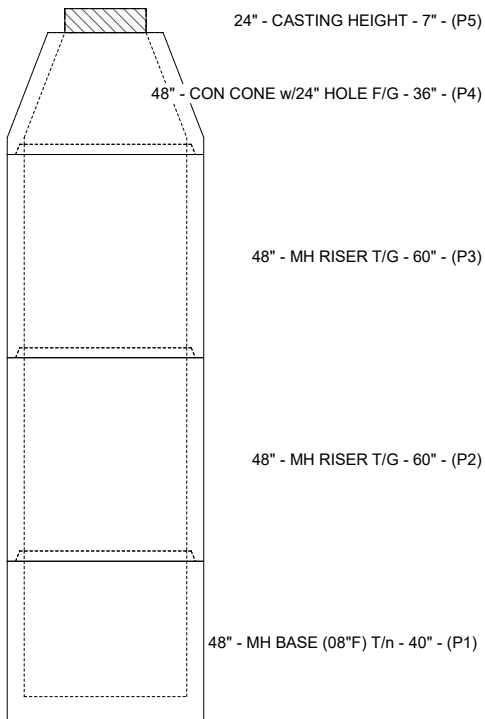
- Structure Notes:**
- PER ASTM C-478 SPECIFICATIONS
  - CONCRETE: 4,000 PSI AT 28 DAYS
  - REINFORCEMENT:
    - CONE & RISERS: PER ASTM A615
    - BASE WALLS: PER ASTM A615 - DOUBLE MAT
    - BASE FLOOR: #5 BAR @ 12" C.C. E.W. (GRADE 60)
  - INVERT CHANNEL REQUIRED
  - STEPS AT 270 DEGREES
  - 7" CASTING SUPPLIED BY OTHERS

**STRUCTURE SUMMARY:**

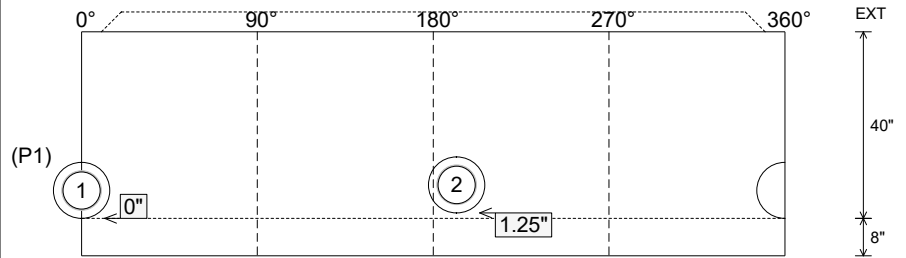
P5) 24" - CASTING HEIGHT - 7"	0 lb
P4) 48" - CON CONE w/24" HOLE F/G - 36"	2252 lb
P3) 48" - MH RISER T/G - 60"	4192 lb
P2) 48" - MH RISER T/G - 60"	4192 lb
P1) 48" - MH BASE (08"F) T/n - 40"	4472 lb
1) 48" - MH INVERT CHANNEL - FULL HEIGHT	1440 lb
3) 48" - Conseal CS-102 1.00" (Double)	0 lb
2) PSX - 12-08 NYLO	16 lb
16) MH Step ML-10-TDS-NCR - 10"	0 lb
<b>Structure Total:</b>	<b>16564 lb</b>



Position	Elev	Angle	Pipe	Pipe OD	Hole	Connector	Up (L)	Ref
Rim	790.34'							
Reducer								
Invert 1	773.35'	0°	8" PVC SDR35	8.5"	12"	PSX 12-08 NYLO	0"	P1
Invert 2	773.45'	192°	8" PVC SDR35	8.5"	12"	PSX 12-08 NYLO	1.25"	P1
Invert 3								
Invert 4								
Invert 5								
Invert 6								
Invert 7								
Invert 8								



**Cast (Int. Dim.) - Interior Dimensions**



Submittal Drawing  
 3/17/2026 12:36:38 PM

SUBMITTAL  
 APPROVED BY: