

Job Name: 25-3118 - W6 Ph 2-C Force Main Improvements
 Job Location: Fort Mitchell, KY 41017
 Contractor: Lykins Contracting

Plant: 100

3/27/2026 11:41:31 AM

Tech: J. Horsley - A

PC: Celina Goff



Structure ID: 2301574

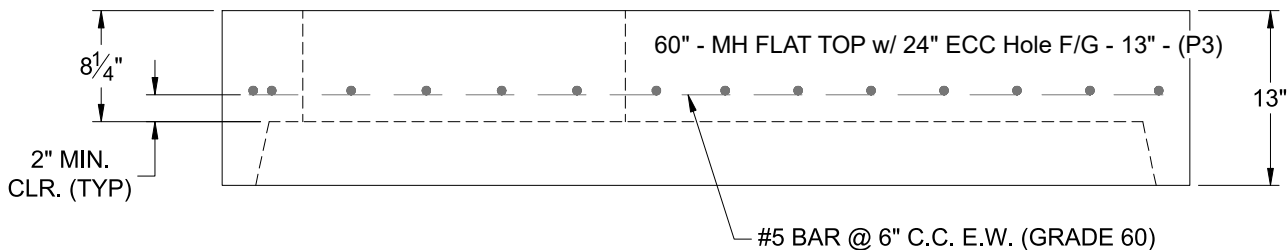
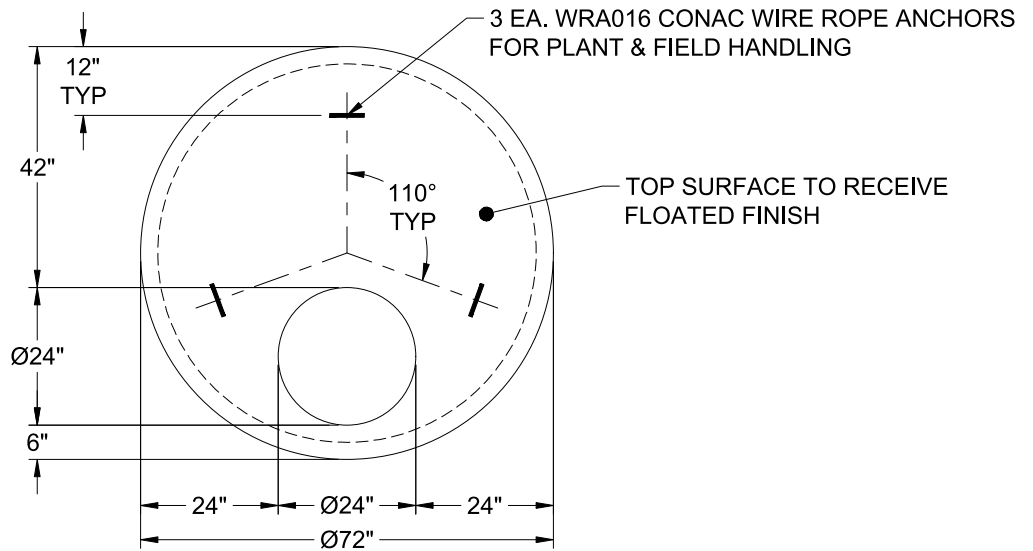
P3 MH060LD13

MH FLAT TOP w/ 24" ECC Hole F/G

- P4) 24" - CASTING HEIGHT - 7"
- P3) 60" - MH FLAT TOP w/ 24" ECC Hole F/G - 13"
- P2) 60" - MH RISER T/G - 72"
- P1) 60" - MH BASE Custom Ht T/n - 40"
- 1) 60" - MH INVERT CHANNEL - FULL HEIGHT
- 2) 60" - Conseal CS-102 1.00" (Double)
- 2) Kor-N-Seal2 - S206-18L
- 9) MH Step ML-10-TDS-NCR - 10"

	0 lb
	2869 lb
	7516 lb
	6649 lb
	2692 lb
	0 lb
	12 lb
	0 lb
Structure Total:	19739 lb

- Structure Notes:
1. PER ASTM C-478 SPECIFICATIONS
 2. CONCRETE: 4,000 PSI AT 28 DAYS
 3. REINFORCEMENT: #5 BAR @ 6" C.C. E.W. (GRADE 60) - 2" MIN. REBAR CLEARANCE (TYP)
 4. 7" CASTING SUPPLIED BY OTHERS
 5. LIFTERS: 3 EA. WRA016 CONAC WIRE ROPE ANCHORS FOR PLANT & FIELD HANDLING
 6. TOP SURFACE TO RECEIVE FLOATED FINISH



Coating (Int):
Coating (Ext):

Seam Up: Flat
Seam Dn: Groove

Wall Thickness: 6"

Height (Ext): 13"

Weight (Net): 2869 lb
Volume (Net): 0.73cu.yd